



XDL/XML Series  
**XGT Servo System**

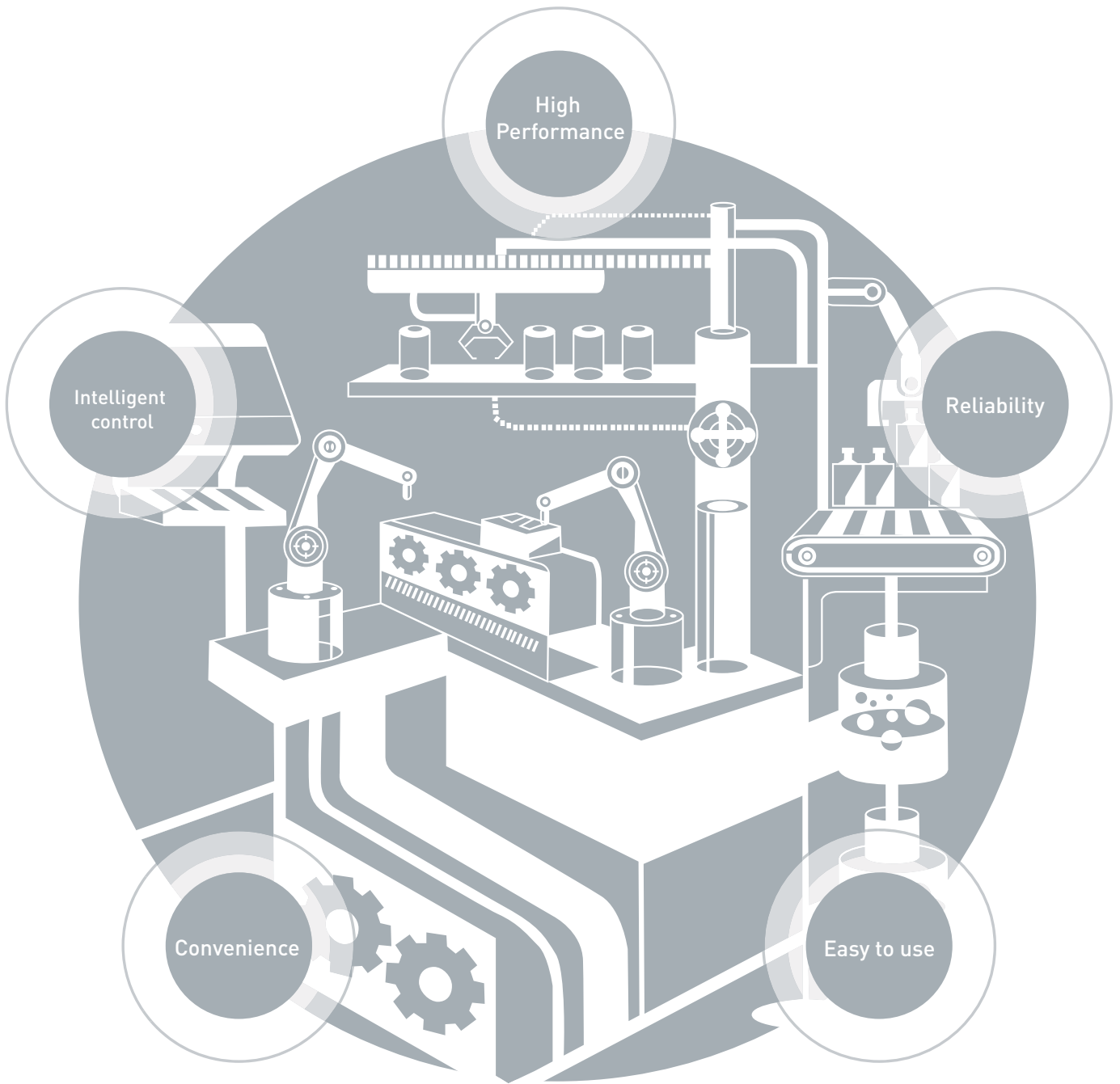
High  
Performance

Intelligent  
control

Reliability

Convenience

Easy to use

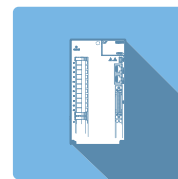


# XGT Servo System **XDL/XML Series**



**Features**  
4 ~ 13

Features



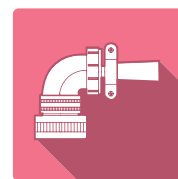
**Servo Drive**  
14 ~ 65

Servo Drive



**Servo Motor**  
67 ~ 103

Servo Motor



**Options and Accessories**  
104 ~ 123

Options and Accessories



**Application**  
124 ~ 139

Application

User-oriented XDL/XML Series  
LSIS XGT Servo systems complete  
your optimal solution.



**XDL /**

Your motion systems visualize the perfect solution through the LS comprehensive product ranges for the optimal drives and applications. Its high-performance vector, precision and speed control are user-friendly and cost effective.



# **XML** Series

# It's Slim

Compact size with high capacity

Capacity	400W <i>(44% Down Size)</i>			1kW <i>(46% Down Size)</i>			3.5kW <i>(62% Down Size)</i>			
	Series	XDL	VS	Competitor	XDL	VS	Competitor	XDL	VS	Competitor
L [mm]	38	80	40	58	88	60	88	137	90	
W [mm]	169	187	168	169	210	168	169	256	168	
H [mm]	173	132	170	198	195	195	198	225	195	

# 38 mm

The Minimized Width to 38mm!!! (400W)



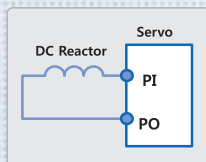
# Reliability

## Main capacitor quality improved

- Long-life type capacitor applied (2.5 times improvement)

## Convenient DC reactor installable

- Power connection to DC-link
- Easier wiring and smaller size compared to 3-phase AC reactor
- Connection for DC input (PI, N)



## Stable turn-off function based on the detection of the control power turn-off

## Upgraded protection function (II)

- Triple protection functions for power module : IPM fault, CL detecting, over current detecting with S/W
- Main power mis-wiring detecting function : Selecting 3 phase or single phase, and alarm or warning is available
- Protecting overheating with thermal sensor in the drive and motor
- Alarm code grouping and exclusive output contacts (AL00, AL01, AL02)
- Warning function (digital output, warning output) : Mis-wiring of power, low voltage for encoder battery, over speed command, over torque command, over load, mis-matched motor and drive

# 52%

Compared with VS Drive  
Max 52% Slim



1kW



3.5kW

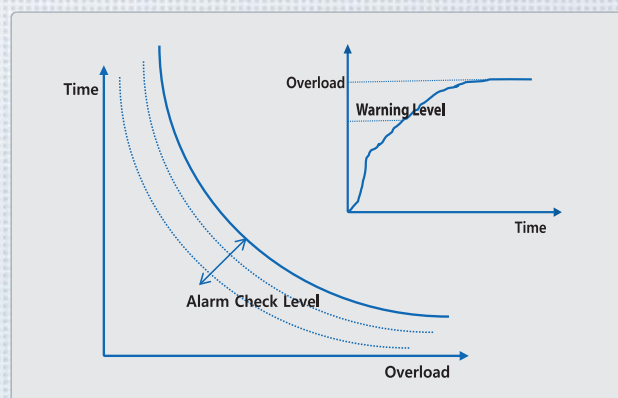
# 5%

Compared with competitor's Drive  
Max 5% Slim

### Upgraded protection function (III)

- Detecting function for accumulated over load of regenerative resistor
  - : Protect algorithm is provided with embedded resistor characteristic
  - : Protection by capacity (P0-11) and resistance (P0-10)
  - : Providing de-rating factor for radiant heat
- Available continuous overload capacity setting as followed operating condition
  - : Protect with separated overload table at stall & operation
  - : Set overload check level (P0-12)
  - : Setting warning signal output level is available (P0-13)

CE, RoHS certificated



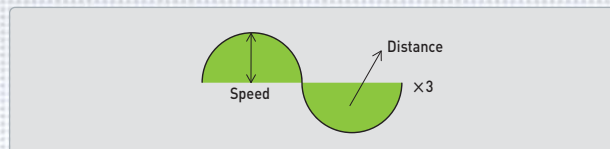
# Easy to USE

Reliable partner with global standard performance and easy control by user-centric environment



## Easy gain tuning with automatic inertia estimating function

- Quick & Accurate Inertia Estimating
- On-Line Tuning: L7NH, L7P
- Off-Line Tuning: L7N, L7S
- Parameter for Estimation (Speed & Distance)



## Encoder with bi-directional high speed serial communication

- Automatic Identification (Motor ID / Encoder pulse)
- BiSS protocol
- Easy wiring (15 encoder wires - 7 encoder wires) and anti-external noise

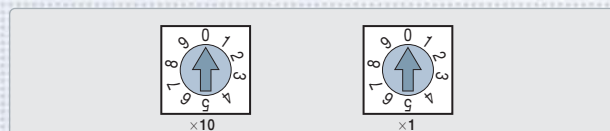


## Sufficient input/output contacts and various functions

- L7S: Digital input contacts: 10, output contacts: 8 / Analog input contacts: 2 and output contacts: 2
- L7N: Digital input contacts: 6, output contacts: 4 / Analog input contacts: 2 and output contacts: 2
- L7NH: Digital input contacts: 8, output contacts: 4 / Analog input contacts: 1 and output contacts: 2
- L7P: Digital input contacts: 16, output contacts: 8 / Analog input contacts: 2 and output contacts: 2
- PEGASUS: Digital input contacts: 4, output contacts: 2 / Analog input contacts: 1 and output contacts: 1
- Flexible assignment of input/output signals by parameters and contact setting based on the input/output contact type (N.O / N.C contacts)

## Using the rotary switch to configure the drive node address [L7NH, L7P, and PEGASUS]

- Using the rotary switch to configure the drive node address conveniently
- L7NH: 0-99, L7P: 0-31, PEGASUS: 0-15





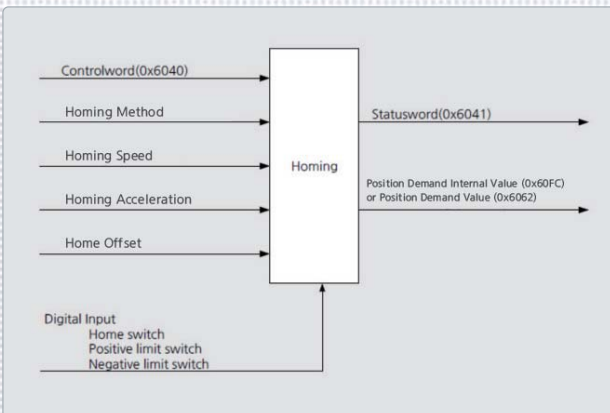
### Plug-in type power connector

- Expanded to 100 W - 3.5 kW for improved wiring convenience



### Various homing functions [L7NH, L7P, and PEGASUS]

- The drive provides the homing function.
- You can specify the speed, acceleration, offset, and homing method.



### Easy firmware upgrade [L7NH, L7P, and PEGASUS]

- Supporting the USB OTG function to allow firmware download with a USB memory
- Useful where space is limited or environmentally unfavorable



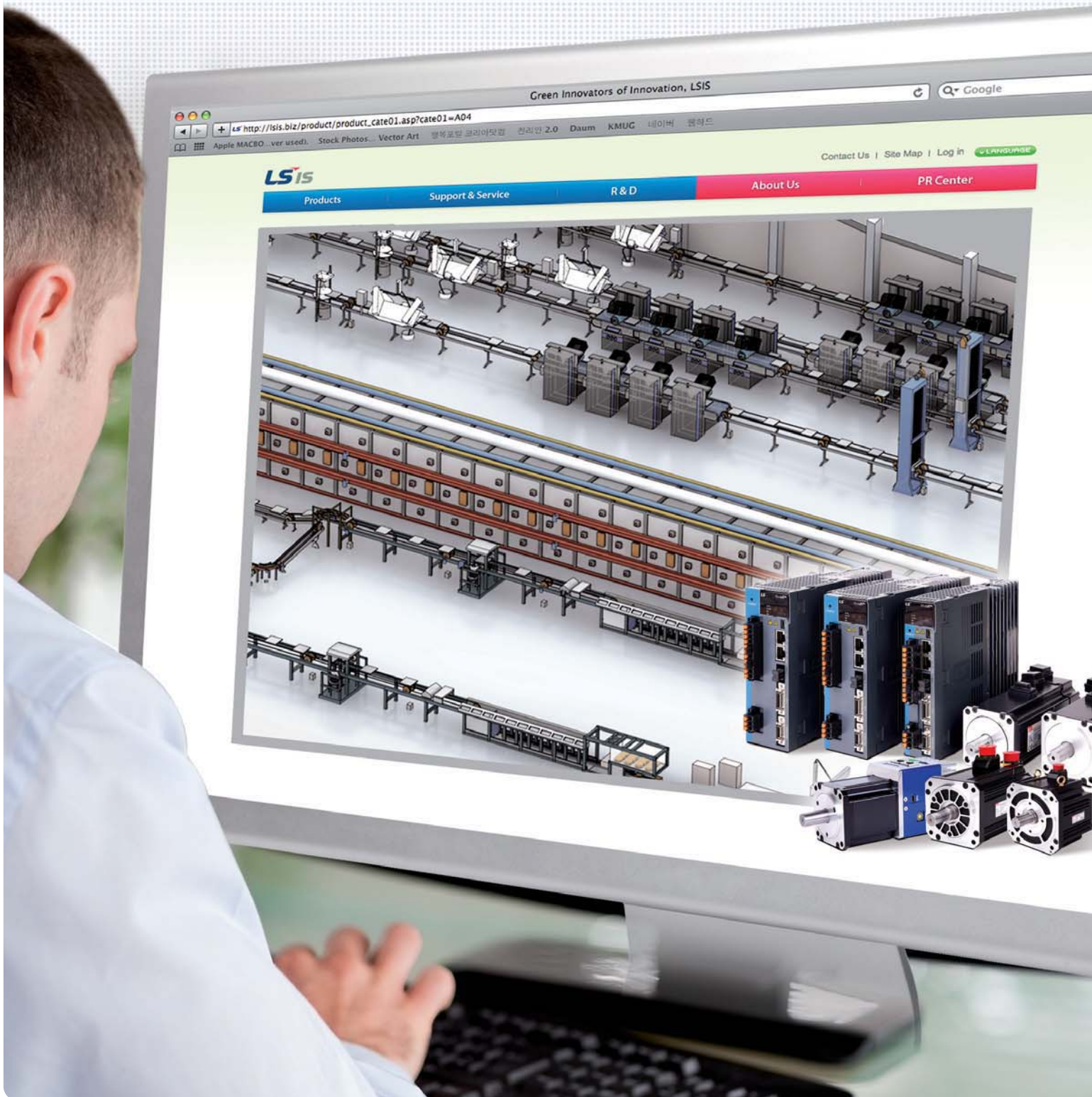
### Built-in regenerative braking resistance in the drive

- Drive installed inside to improve user convenience (100 W - 3.5 kW)
- Providing the connection for external installation
- Enhanced protection algorithm



## Features

XGT Servo series with high speed, incredible performance,  
smart and convenience. It's time to check value of XDL/XML series



# High Performance

## Serial encoder of high resolution (16 bit - 21 bit)

- Stability improved during precision position control and low-speed operation

## Stable low-speed properties based on precise speed measurement

- Stable speed measurement at low speed

## Calculation speed improved [L7NH, L7P, and PEGASUS]

- FPU (Floating Point Unit) for reliable precision calculation
- 16 kHz switching frequency for precision current control
- 32 bit operation for increased synchronous command processing rate (MIPS)

## Dedicated PC program

- L7S, and L7N: LIVE-I.C.E / L7NH, L7P, and PEGASUS: Drive CM
- PC program for shortened equipment tuning time and debugging
- Monitoring for speed, torque, current feedback, position values and positional error values and alarm occurrence time

# Intelligent Control

## Notch filter for resonance suppression

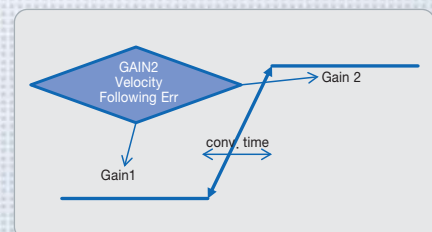
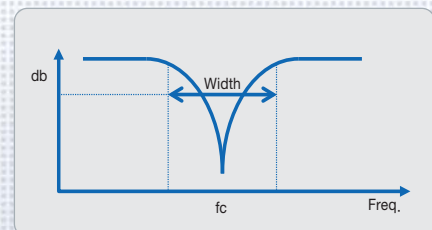
- 4-step notch filter
- 2-step vibration suppression filter at the load position
- FFT function for real-time frequency analysis

## Various gain switching modes for improved control performance

- P/PI auto-switching function to reduce overshooting during acceleration/deceleration
- Various Gain1 ↔ Gain2 switching modes

## Various dynamic brake control modes

- Configuring the operation mode at stop and after stop



# Convenience

Providing various functions- backup, network diagnosis, monitoring and built-in functions focused on improving efficiency



### High Performance

- High speed, Real-time capability and Synchronization mechanism

### Open Network

- Over 1600 worldwide members

### Cost Effective

- Standard Ethernet Cabling + Connectors, Less implementation efforts for master and slave

### Easy to Use

- Versatile topology and Diagnostics

### XDL Drive with Built-in EtherCAT Interface

- 100BASE-TX(100Mbps) Ethernet based real-time communication
- Support CiA402(IEC61800-7) drive profile
- Interoperability
- Max. 100m between nodes
- Precise synchronization mechanism (1us)
- Freely settable process data length and mapping
- Four status indication LEDs (L/A0, L/A1, RUN, ERR)
- Standard RJ45 connector and cabling(CAT5)
- Support various homing modes
- Support Full-Closed control (Being developed)

### Various operation modes

- L7N: Using the EtherCAT communication to support Cyclic (P/S/T) and Profile (P/S/T) modes
- L7NH and PEGASUS: Using the EtherCAT communication to support Cyclic & Profile (P/S/T) modes, EOE, COE, and FOE

### Safe torque off function

- Torque-off forced by hardware signals without involvement of the drive CPU and FPGA (ASIC); international standards adopted (IEC61508)

### High speed position capture function

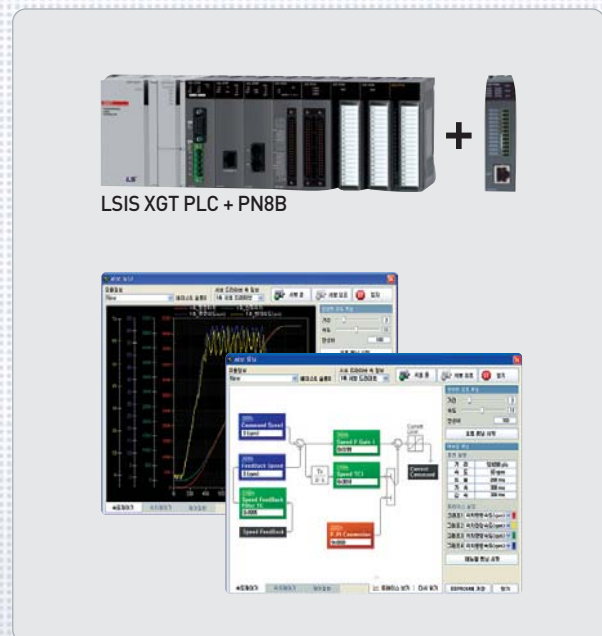
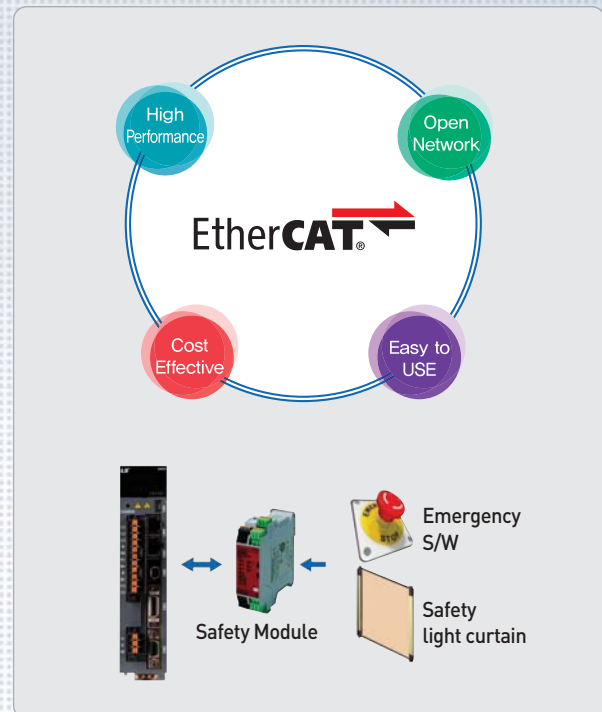
- Touch probe function(PROBE1, PROBE2)

### Adjustment function linked with XGT series from LSIS

- Inertia detection, position/speed gain manual adjustment, gain switching setup, etc.

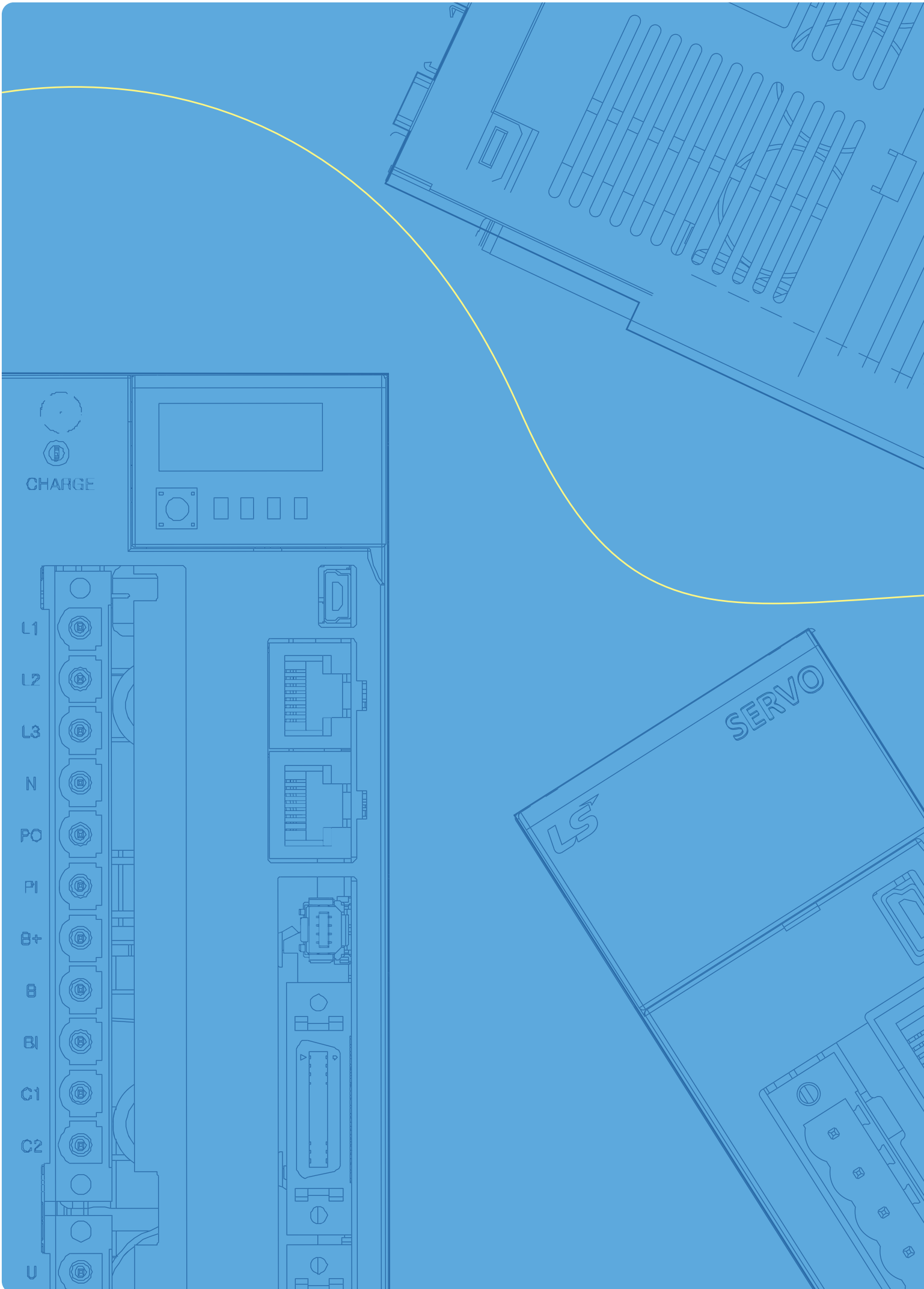
### Have conformity of EtherCAT device

- In-house test using CTT(Conformance Test Tool)



### Provide gain tuning tools and commissioning packages

- Automatic inertia tuning and PI gains
- Gain conversion setting
- Manual fine gain tuning tool
- Object save and initialization function
- Alarm history function(recently issued 20 alarm codes)



CHARGE

L1

L2

L3

N

PO

PI

B+

B

BI

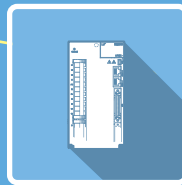
C1

C2

U

SERVO

LS



# Servo Drive

## Contents

### L7S Series

Pulse, Analog Command Type ----- 16

### L7N Series

EtherCAT Communication Type ----- 28

### L7NH Series

All-in-One EtherCAT Communication Type ----- 34

### L7P Series

Indexer Function Type ----- 48

### XIP(PEGASUS) Series

Integrated Servo System Type ----- 60

## XDL-L7S Series



### Servo Drive Designation

Model Name	Communication	Input Power Supply	Capacity	Encoder Type	Option
XDL Series	S : Standard I/O Type	A : 200VAC B : 400VAC	001 : 100W 002 : 200W 004 : 400W 008 : 750W 010 : 1.0kW 020 : 2.0kW 035 : 3.5kW 050 : 5.0kW 075 : 7.5kW 150 : 15.0kW	A : Quadrature (Pulse Type) B : Serial (Communication Type)	Exclusive Option Code

**\* Range**

- 200V : 0.1kW~5.0kW
- 400V : 1.0kW~15kW



## Pulse, Analog Command Type **XDL-L7S**

### Easy to USE

- Easy Gain Tuning with Automatic Inertia Estimating Function
- Easy Setting Built-in Panel Operator
- Many I/O Contacts and Various Functions  
[Digital Input: 10 contacts, Digital Output:8 contacts / Analog input, output : 2 contacts]

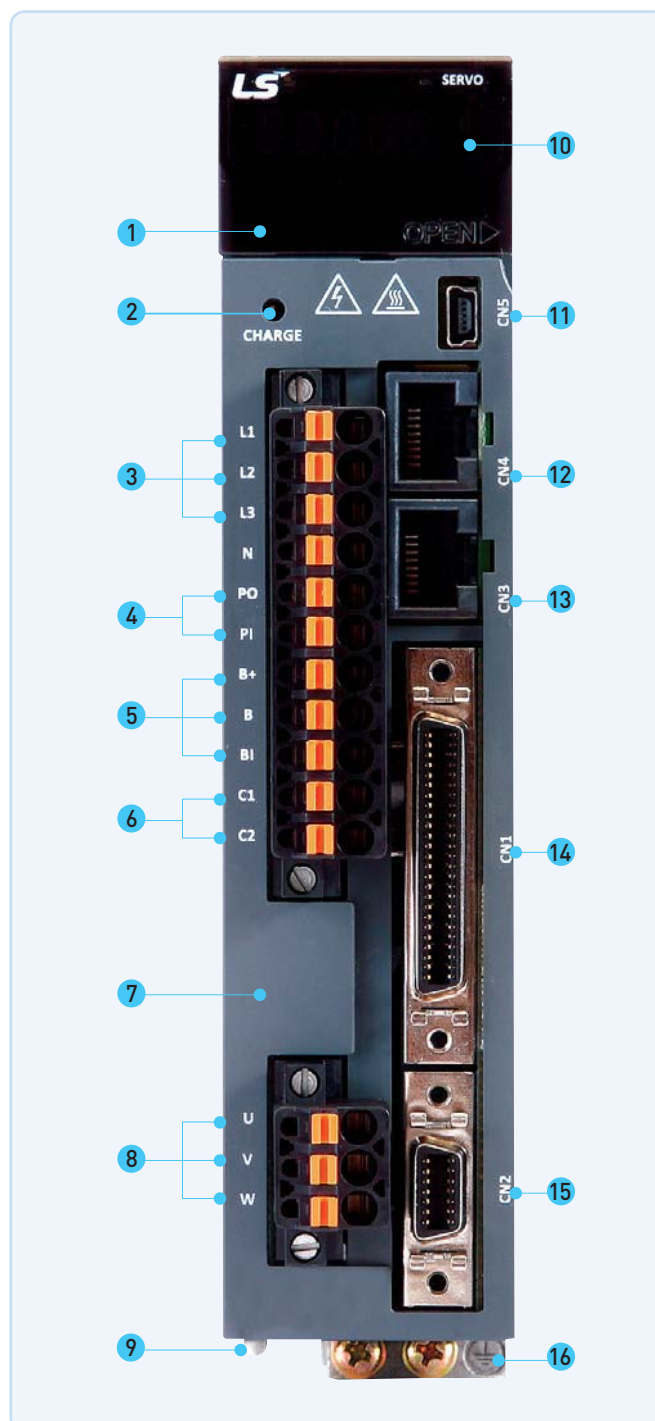
### Reliability for Protection Function

- CE, RoHS Certificated
- Drive Protection Function and Warn Function

### High Response for Precision Control

- High Resolutions Serial type Encoder(19Bit, BiSS)
- Improved Speed Response(≒1Khz) Frequency

- 1 Operation keys (Mode, Up, Down, Set)
- 2 Charge Lamp
- 3 Main Power Connector (L1, L2, L3)
- 4 DC Reactor Connector(PO, PI)
  - Short-Circuit when not used
- 5 Regenerative resistance connector (B+, B, BI)
  - Short-Circuit B, BI terminals when standard type
  - Use B+, B terminals when using external resistor
- 6 Control Power Connector (C1, C2)
- 7 Front Cover
- 8 Motor Power Cable Connector (U, V, W)
- 9 Heat Sink
- 10 Display
- 11 CN5 : USB Connector
- 12 CN4 : RS-422 Communication Connector
- 13 CN3 : RS-422 Communication Connector
- 14 CN1 : Control Signal Connector
- 15 CN2 : Encoder Signal Connector
- 16 Ground



## XDL-L7SA Incremental Type

Rated Speed (rpm)	Maximum Speed (rpm)	Flange Size	Applicable Motor	Applicable Drive	Standard Encoder Type Quadrature Type	Encoder Cable		Power Cable					
						INC		For power	Power + Brake	Brake			
3,000	5,000	□ 40	SAR3A	L7SA001A	* 2,048 P/R	XLCS-E□□□AS	XLCS-P□□□GS	-	XLCS-P□□□KB				
		□ 40	SAR5A	L7SA001A									
		□ 40	SA01A <sup>Note1)</sup>	L7SA001A									
		□ 40	SA015A	L7SA004A									
		□ 60	SB01A	L7SA002A									
		□ 60	SB02A	L7SA002A									
		□ 60	SB04A	L7SA004A									
		□ 80	SC04A	L7SA004A									
		□ 80	SC06A	L7SA008A									
		□ 80	SC08A	L7SA008A									
		□ 80	SC10A	L7SA010A									
		□ 130	SE09A	L7SA008A									
		□ 130	SE15A	L7SA020A									
		□ 130	SE22A	L7SA020A									
		□ 130	SE30A	L7SA035A									
		□ 180	SF30A	L7SA035A									
		□ 180	SF50A	L7SA050A									
		2,000	3,000	□ 80						SC03D	L7SA004A	* 3,000 P/R	XLCS-E□□□AS
□ 80	SC05D			L7SA008A									
□ 80	SC06D			L7SA008A									
□ 80	SC07D			L7SA008A									
□ 130	SE06D			L7SA008A									
□ 130	SE11D			L7SA010A									
□ 130	SE16D			L7SA020A									
□ 130	SE22D			L7SA020A									
□ 180	SF22D			L7SA020A									
□ 180	LF35D			L7SA035A									
□ 180	SF55D			L7SA050A									
□ 220	SG22D			L7SA020A									
□ 220	LG35D			L7SA035A									
□ 220	SG55D			L7SA050A									
□ 130	SE05G			L7SA008A									
□ 130	SE09G			L7SA010A									
□ 130	SE13G			L7SA020A									
□ 130	SE17G			L7SA020A									
1,500	3,000	□ 180	SF20G	L7SA035A	XLCS-E□□□BS	XLCS-P□□□IS	XLCS-P□□□JS	-	XLCS-P□□□SB				
		□ 180	LF30G	L7SA035A									
		□ 180	SF44G	L7SA050A									
		□ 220	SG20G	L7SA020A									
	2,700	3,000	□ 220	LG30G				L7SA035A					
			□ 220	SG44G				L7SA050A					
	1,000	2,000	□ 130	SE03M				L7SA004A	XLCS-E□□□BS	XLCS-P□□□IS	XLCS-P□□□JS	-	XLCS-P□□□SB
			□ 130	SE06M				L7SA008A					
□ 130			SE09M	L7SA010A									
□ 130			SE12M	L7SA020A									
□ 180			SF12M	L7SA020A									
□ 180		SF20M	L7SA035A										
1,700		2,000	□ 180	LF30M	L7SA035A								
			□ 180	SF44M	L7SA050A								
2,000		2,000	□ 220	SG12M	L7SA020A								
			□ 220	SG20M	L7SA035A								
	□ 220		LG30M	L7SA035A									
2,000	2,000	□ 220	SG44M	L7SA050A									
3,000	3,500	□ 60	HB01A	L7SA002A	* 1,048 P/R	XLCS-E□□□AS	XLCS-P□□□GS	-	-				
		□ 60	HB02A	L7SA002A									
		□ 60	HB04A	L7SA004A									
		□ 130	HE09A	L7SA008A									
		□ 130	HE15A	L7SA020A									
		□ 130	HE30A	L7SA035A									
3,000	3,500	□ 60	HB01A	L7SA002A	* 2,048 P/R	XLCS-E□□□BS	XLCS-P□□□HS	-	-				
		□ 60	HB02A	L7SA002A									
		□ 60	HB04A	L7SA004A									
		□ 130	HE09A	L7SA008A									
		□ 130	HE15A	L7SA020A									
		□ 130	HE30A	L7SA035A									

Note1) Motor name SA01A combines with the below drive and encoder cable.  
 Incremental: XDL-L7SA001A, XLCS-E□□□AS, Serial: XDL-L7SA001B, XLCS-E□□□CS, Absolute: XDL-L7SA001B, XLCS-E□□□CS1

### XDL-L7SA Serial Type

Rated Speed (rpm)	Maximum Speed (rpm)	Flange Size	Applicable Motor	Applicable Drive	Standard Encoder Type	Encoder Cable		Power Cable				
					Serial Type	Serial	Abs	For power	Power + Brake	Brake		
3,000	5,000	□40	FALR5A	L7SA001B	* 18Bit Serial M-Turn Absolute	XLCS-E□□□ES	XLCS-E□□□ES1	XLCS-P□□□LS	-	XLCS-B□□□QS		
		□40	FAL01A	L7SA001B								
		□40	FAL015A	L7SA004B								
		□60	FBL01A	L7SA001B								
		□60	FBL02A	L7SA002B								
		□60	FBL04A	L7SA004B								
		□80	FCL04A	L7SA004B								
		□80	FCL06A	L7SA008B								
		□80	FCL08A	L7SA008B								
		□80	FCL10A	L7SA010B								
		□60	FB01A	L7SA001B								
		□60	FB02A	L7SA002B								
		□60	FB04A	L7SA004B								
		□80	FC04A	L7SA004B								
		□80	FC06A	L7SA008B								
		□80	FC08A	L7SA008B								
		□80	FC10A	L7SA010B								
		□130	FE09A	L7SA010B								
		□130	FE15A	L7SA020B								
		□130	FE22A	L7SA020B								
□130	FE30A	L7SA035B										
□180	FF30A	L7SA035B										
□180	FF50A	L7SA050B										
2,000	3,000	□80	FCL03D	L7SA004B	* 19Bit Serial M-Turn Absolute	XLCS-E□□□ES	XLCS-E□□□ES1	XLCS-P□□□LS	-	XLCS-B□□□QS		
		□80	FCL05D	L7SA008B								
		□80	FCL06D	L7SA008B								
		□80	FCL07D	L7SA008B								
		□80	FC03D	L7SA004B								
		□80	FC05D	L7SA008B								
		□80	FC06D	L7SA008B								
		□80	FC07D	L7SA008B								
		□130	FE06D	L7SA008B								
		□130	FE11D	L7SA010B								
		□130	FE16D	L7SA020B								
		□130	FE22D	L7SA020B								
		□180	FF22D	L7SA020B								
		□180	FF35D	L7SA035B								
	□180	FF55D	L7SA050B									
	□220	FG22D	L7SA020B									
	2,700	□220	FG35D	L7SA035B								
	3,000	□220	FG55D	L7SA050B								
	1,500	3,000	□130	FE05G		L7SA008B	XLCS-E□□□DS	XLCS-E□□□DS1	XLCS-P□□□HS	XLCS-P□□□NB	-	-
			□130	FE09G		L7SA010B						
□130			FE13G	L7SA020B								
□130			FE17G	L7SA020B								
2,700		□180	FF20G	L7SA020B								
		□180	FF30G	L7SA035B								
		□180	FF44G	L7SA050B								
3,000		□220	FG20G	L7SA020B								
		□220	FG30G	L7SA035B								
		□220	FG44G	L7SA050B								
1,000	2,000	□130	FE03M	L7SA004B	XLCS-P□□□HS	XLCS-P□□□NB	-	-	-			
		□130	FE06M	L7SA008B								
		□130	FE09M	L7SA010B								
		□130	FE12M	L7SA020B								
		□180	FF12M	L7SA020B								
	1,700	□180	FF20M	L7SA020B								
		□180	FF30M	L7SA035B								
		□180	FF44M	L7SA050B								
	2,000	□220	FG12M	L7SA020B								
		□220	FG20M	L7SA020B								
□220		FG30M	L7SA035B									
□220		FG44M	L7SA050B									
1,700	□220	FG30M	L7SA035B									
2,000	□220	FG44M	L7SA050B									

Servo Drive

## XDL-L7SB Serial Type

Rated Speed (rpm)	Maximum Speed (rpm)	Flange Size	Applicable Motor	Applicable Drive	Standard Encoder Type	Encoder Cable		Power Cable			
					Serial Type	Serial	Abs	For power	Power + Brake	Brake	
3,000	5,000	□ 130	FEP09A	L7SB010B	* 19Bit Serial Absolute	XLCS-E□□□DS	XLCS-E□□□DS1	-	-	-	
		□ 130	FEP15A	L7SB020B							
		□ 130	FEP22A	L7SB035B							
		□ 130	FEP30A	L7SB035B							
		□ 180	FFP30A	L7SB035B							
		□ 180	FFP50A	L7SB050B							
2,000	3,000	□ 130	FEP06D	L7SB010B							
		□ 130	FEP11D	L7SB010B							
		□ 130	FEP16D	L7SB020B							
		□ 130	FEP22D	L7SB020B							
		□ 180	FFP22D	L7SB020B							
		□ 180	FFP35D	L7SB035B							
	2,500	3,000	□ 180	FFP55D							L7SB050B
			□ 180	FFP75D							L7SB075B
			□ 220	FGP22D							L7SB020B
	2,500	3,000	□ 220	FGP35D							L7SB035B
			□ 220	FGP55D							L7SB050B
			□ 220	FGP75D							L7SB075B
2,500		3,000	□ 220	FGP110D							L7SB150B
			□ 220	FGP110D							L7SB150B
			□ 220	FGP110D							L7SB150B
1,500	3,000	□ 130	FEP05G	L7SB010B							
		□ 130	FEP09G	L7SB010B							
		□ 130	FEP13G	L7SB020B							
		□ 130	FEP17G	L7SB020B							
	2,700	3,000	□ 180	FFP20G							L7SB020B
			□ 180	FFP30G							L7SB035B
			□ 180	FFP44G							L7SB050B
			□ 180	FFP60G							L7SB075B
			□ 180	FFP75G							L7SB075B
			□ 220	FGP20G							L7SB020B
			□ 220	FGP30G							L7SB035B
			□ 220	FGP44G							L7SB050B
			□ 220	FGP60G							L7SB075B
			□ 220	FGP85G							L7SB150B
2,000	3,000	□ 220	FGP110G	L7SB150B							
		□ 220	FGP150G	L7SB150B							
1,000	2,000	□ 130	FEP03M	L7SB010B							
		□ 130	FEP06M	L7SB010B							
		□ 130	FEP09M	L7SB010B							
		□ 130	FEP12M	L7SB020B							
		□ 180	FFP12M	L7SB020B							
		□ 180	FFP20M	L7SB020B							
	1,700	2,000	□ 180	FFP30M							L7SB035B
			□ 180	FFP44M							L7SB050B
			□ 220	FGP12M							L7SB020B
			□ 220	FGP20M							L7SB020B
			□ 220	FGP30M							L7SB050B
			□ 220	FGP44M							L7SB050B
			□ 220	FGP60M							L7SB075B
			□ 220	FGP60M							L7SB075B

## XDL-L7SA Drive

Item		Type Name	L7SA001 □	L7SA002 □	L7SA004 □	L7SA008 □	L7SA010 □	L7SA020 □	L7SA035 □	L7SA050 □	
Input Power	Main Power Supply	3 Phase AC200 ~ 230[V](-15 ~ +10[%]), 50 ~ 60[Hz]									
	Control Power Supply	Single Phase AC200 ~ 230[V](-15 ~ +10[%]), 50 ~ 60[Hz]									
Rated Current[A]			1.4	1.7	3.0	5.2	6.75	13.5	16.7	32	
Peak Current[A]			4.2	5.1	9.0	15.6	20.25	40.5	50.1	96	
Encoder Type		Quad. Type Incremental Line Driver Max 6000 [P/R] Serial Type 19Bit									
Control Performance	Speed Control	Speed Control Range	Maximum 1: 5000								
		Frequency Response	Maximum 1 [kHz] or above (When using 19bit Serial Encoder)								
		Speed Command	DC -10 [V]~+10 [V] (Reverse rotation in case of negative voltage)								
		Accel/Decel Time	Straight or S-curve acceleration/deceleration (0-10,000 [ms], possible to be set by one [ms] unit)								
		Speed Variation Ratio	±0.01 [%] or lower [when load changes between 0 and 100%] ±0.1[%] or lower [temperature 25 ±10°C]								
	Position Control	Input Frequency	1[Mpps], Line Driver / 200[kpps], Open Collector								
		Input Pulse Type	Symbol + Pulse Series, CW+CCW, A/B Phase								
		Electric Gear Ratio	Four digital gear ratios can be set, selected and tuned.								
	Torque Control	Torque Command	DC-10~+10 [V] (Reverse direction torque in case of negative voltage)								
		Speed Limit	DC 0~10 [V], internal speed command within ±1[%]								
Repetition accuracy		Within ±1[%]									
Input/Output Signal	Analog Input	Input Range	DC -10 ~ 10[V]								
		Resolution	12[bit]								
	Analog Output	Output Range	DC -10 ~ 10[V]								
		Resolution	12[bit]								
	Digital Input	Total 10 Input Channels(assignment available) SVON, SPD1, SPD2, SPD3, ALMRST, DIR, CCWLIM, CWLIM, EMG, STOP, EGEAR1, EGEAR2, PCON, GAIN2, P_CLR, T_LMT, MODE, ABS_RQ, ZCLAMP Above 19 functions can be used selectively for assignment Signal can be set as positive logic or negative logic									
	Digital Output	Total 5 Channels(assignment available), 3 Channels(set as alarm code) ALARM, READY, ZSPD, BRAKE, INPOS, TLMT, VLMT, INSPD, WARN Above 9 outputs can be used selectively for assignment Signal can be set as positive logic or negative logic									
Communication	RS-422	Accessible to PC software and the RS422 server									
	USB	Status monitoring, JOG operation, parameter upload/download are available with PC Software									
Encoder		Serial BiSS encoder and quadrature encoder supported									
Encoder Output Type		Random pre-scale output through FPGA (maximum 6.4 Mpps)									
Built-in functions	Dynamic Braking	Standard built-in (activated when the servo alarm goes off or when the servo is off)									
	Regenerative Braking	Both default built-in and external installation possible									
	Display	Seven segments (5 DIGIT)									
	Setting Function	Loader [SET, MODE, UP, and [DOWN] keys]									
	Additional Function	Auto gain tuning, phase Z detection, manual JOG operation, program JOG operation, automatic analog input calibration									
	Protective Function	Overcurrent, overload, overvoltage, insufficient voltage, main power input problem, control power input problem, overspeed, motor cable, overheat(power module overheat, abnormal drive operation's temp), encoder problem, over-regenerative, sensor problem, communication problem									
Environment	Temperature	0 ~ 50[°C]									
	Humidity	Below 90[%]RH(avoid dew-condensation)									
	Environment	Indoor, Avoid corrosive, inflammable gas or liquid, and electrically conductive dust.									

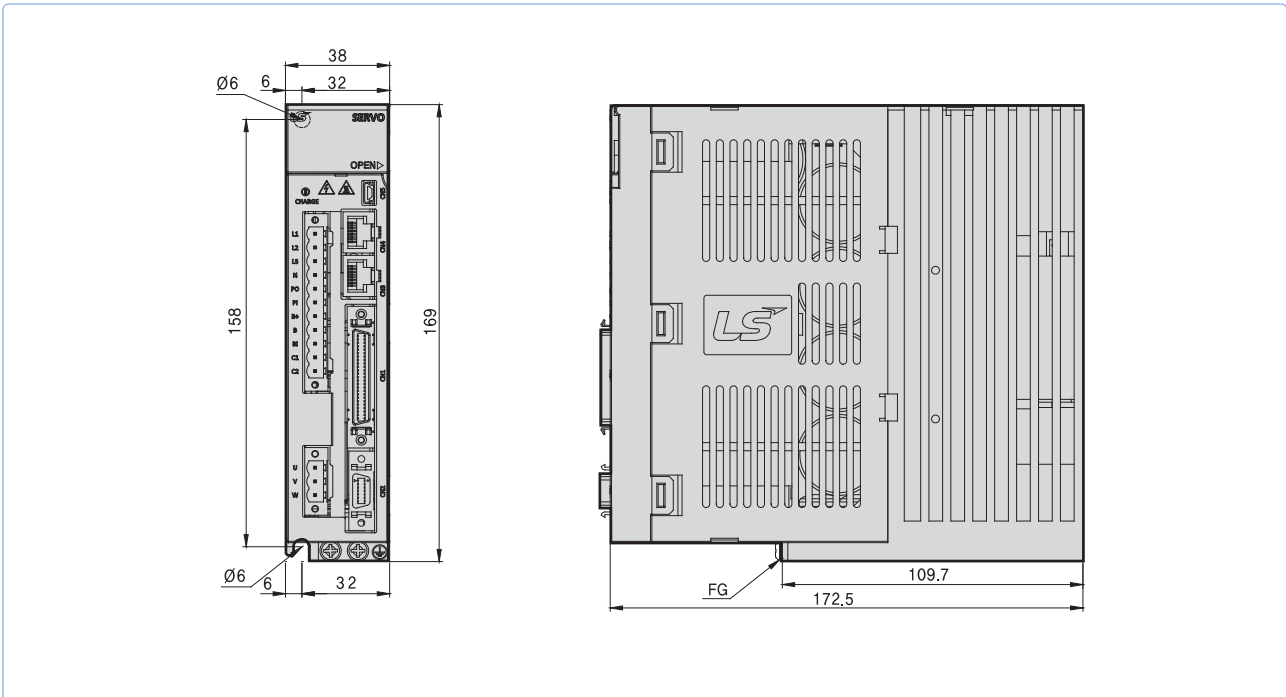
## XDL-L7SB Drive

Item		Type Name	L7SB010 □	XDL-L7SB020 □	XDL-L7SB035 □	XDL-L7SB050 □	XDL-L7SB075 □	XDL-L7SB150 □	
Input Power	Main Power Supply	3 Phase AC380 ~ 480[V](-15 ~ +10[%]), 50 ~ 60[Hz]							
	Control Power Supply	Single Phase AC380 ~ 480[V](-15 ~ +10[%]), 50 ~ 60[Hz]							
Rated Current[A]			3.7	8	10.1	17.5	22.8	39	
Peak Current[A]			11.1	24	30.3	52.5	57	97.5	
Encoder Type		Quad. Type Incremental Line Driver Max 6000 [P/R] Serial Type 19Bit							
Control Performance	Speed Control	Speed Control Range	Maximum 1: 5000						
		Frequency Response	Maximum 1 [kHz] or above (when the 19-bit serial encoder is applied)						
		Speed Command	DC -10 [V]~+10 [V] (Reverse rotation in case of negative voltage)						
		Accel/Decel Time	Straight or S-curve acceleration/deceleration (0-10,000 [ms], possible to be set by one [ms] unit)						
		Speed Variation Ratio	±0.01 [%] or lower [when load changes between 0 and 100%], ±0.1[%] or lower [temperature 25 ±10°C]						
	Position Control	Input Frequency	1[Mpps], Line Driver / 200[kpps], Open Collector						
		Input Pulse Type	Symbol + pulse series, CW+CCW, A/B phase						
		Electric Gear Ratio	Four digital gear ratios can be set, selected and tuned.						
	Torque Control	Torque Command	DC -10~+10 [V] (Reverse direction torque in case of negative voltage)						
		Speed Limit	DC 0~10 [V], internal speed command within ±1[%]						
Repetition accuracy		Within ±1[%]							
Input/Output Signal	Analog Input	Input Range	DC 0 ~ 10[V]						
		Resolution	12[bit]						
	Analog Output	Output Range	DC 0 ~ 10[V]						
		Resolution	12[bit]						
	Digital Input	A total of 10 input channels (allocable) SVON, SPD1, SPD2, SPD3, ALMRST, DIR, CCWLIM, CWLIM, EMG, STOP, EGEAR1, EGEAR2, PCON, GAIN2, P_CLR, T_LMT, MODE, ABS_RQ, ZCLAMP You can selectively allocate a total of 19 functions. You can set the positive/negative logic of the selected signal.							
	Digital Output	A total of 5 channels (allocable), 3 channels (fixed with alarm codes) ALARM, READY, ZSPD, BRAKE, INPOS, TLMT, VLMT, INSPD, WARN You can selectively allocate a total of nine kinds of output. You can set the positive/negative logic of the selected signal.							
Communication	RS-422	Accessible to PC software and the RS422 server							
	USB	Status monitoring through PC software, JOG operation, and parameter uploading/downloading are possible.							
Encoder		Serial BiSS encoder and quadrature encoder supported							
Encoder Output Type		Random pre-scale output through FPGA (maximum 6.4 Mpps)							
Built-in functions	Dynamic Braking	Standard built-in (activated when the servo alarm goes off or when the servo is off)							
	Regenerative Braking	Both default built-in and external installation possible						External installation Possible	
	Display	Seven segments (5 DIGIT)							
	Setting Function	Loader (SET, MODE, UP, and [DOWN] keys)							
	Additional Function	Auto gain tuning, phase Z detection, manual JOG operation, program JOG operation, automatic analog input calibration							
Protective Function		Overcurrent, overload, overvoltage, voltage lack, main power input error, control power input error, overspeed, motor cable, heating error (power module heating, drive temperature error), encoder error, excessive regeneration, sensor error, communication error							
Environment	Temperature	0 ~ 50[°C]							
	Humidity	Below 90[%]RH(avoid dew-condensation)							
	Environment	Indoor, avoid corrosive, inflammable gas or liquid, and electrically conductive dust.							

# External Dimensions

## XDL-L7SA001□ ~ XDL-L7SA004□ [Weight 1.2kg]

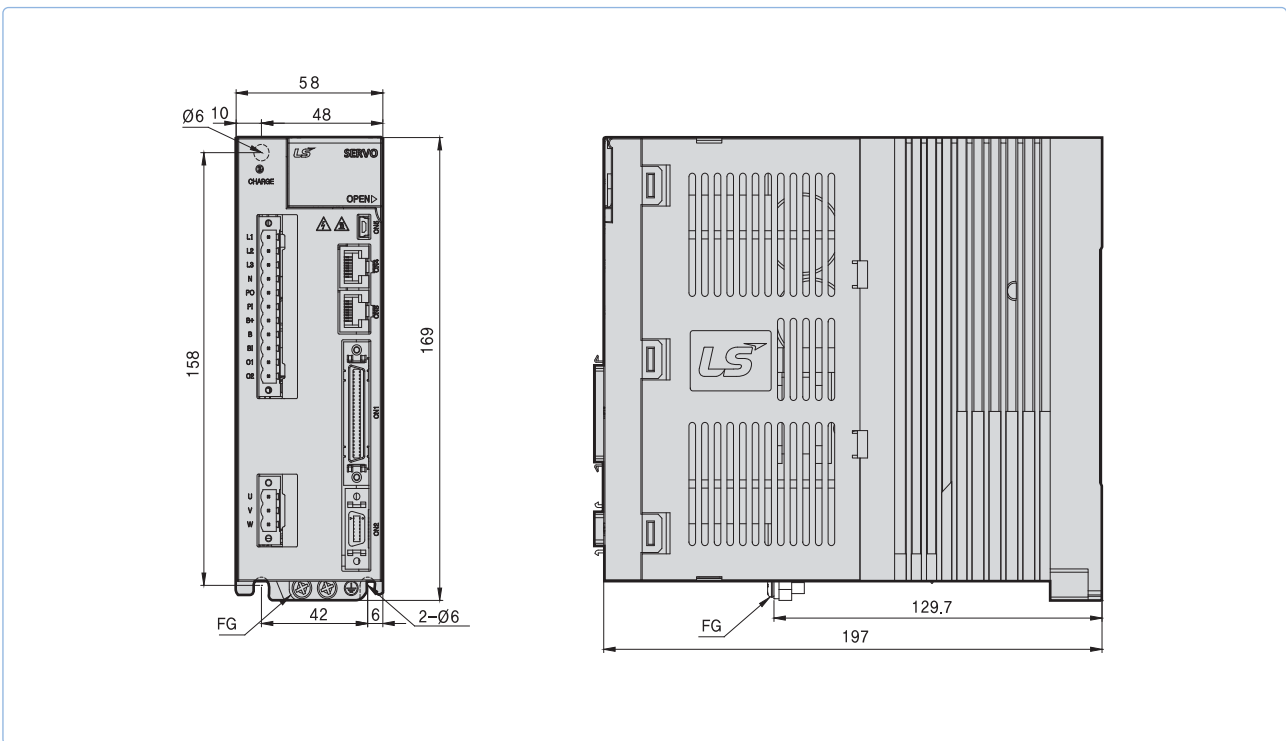
\*Unit [mm]



Servo Drive

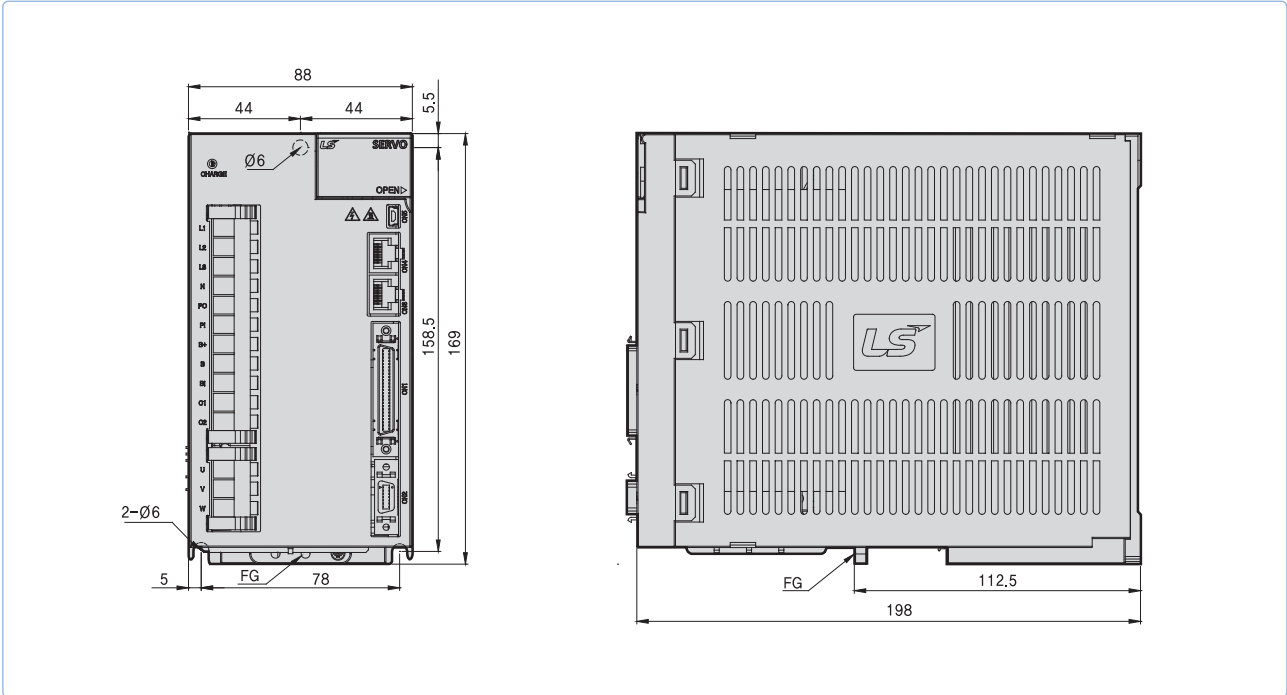
## XDL-L7SA008□ ~ XDL-L7SA010□ [Weight : 1.5kg(Fan-Cooling included)]

\*Unit [mm]



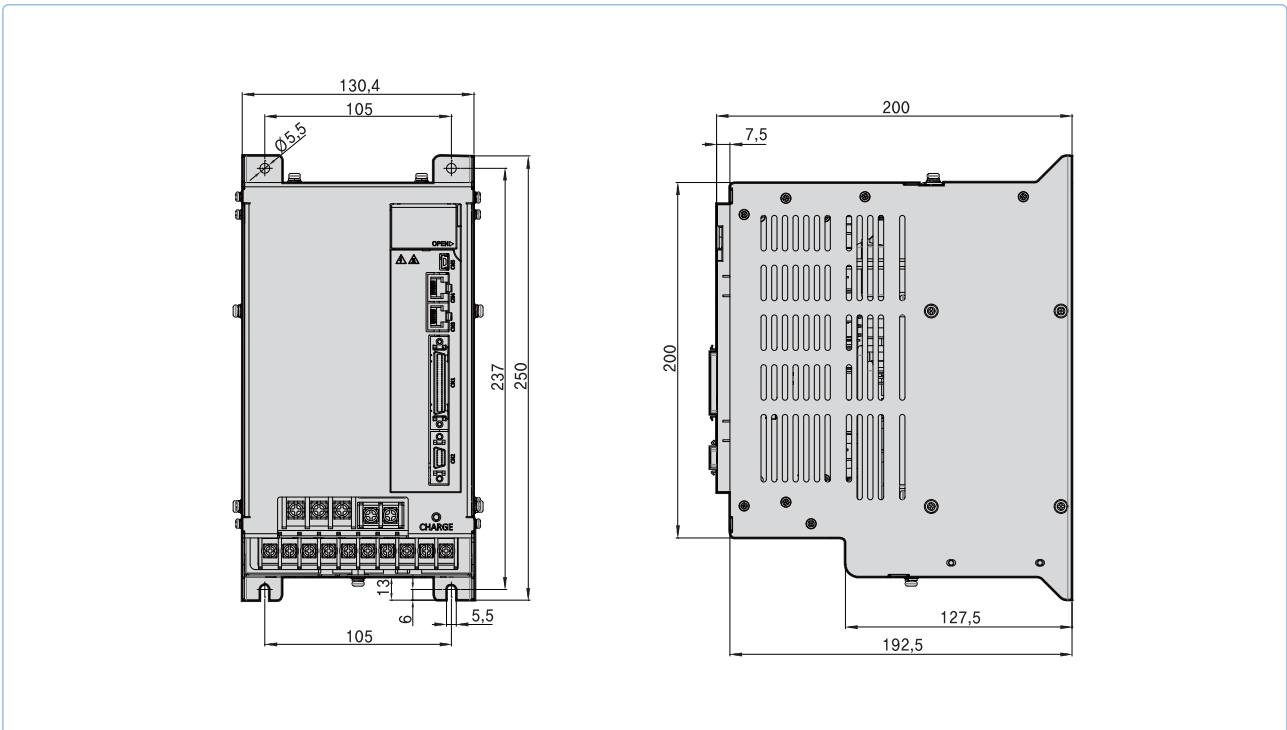
### XDL-L7SA020 □ ~ XDL-L7SA035 □ [Weight : 2.5kg(Fan-Cooling included)]

\*Unit [mm]



### XDL-L7SA050 □ [Weight : 5.5kg(Fan-Cooling included)]

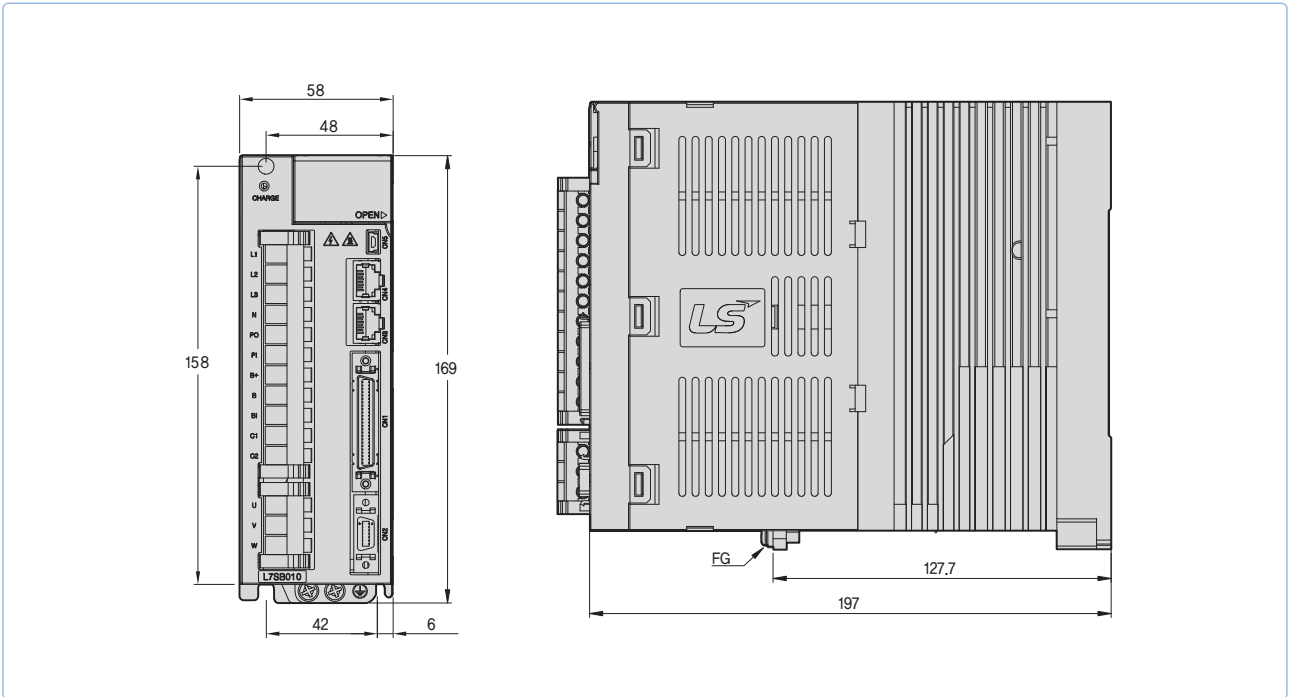
\*Unit [mm]





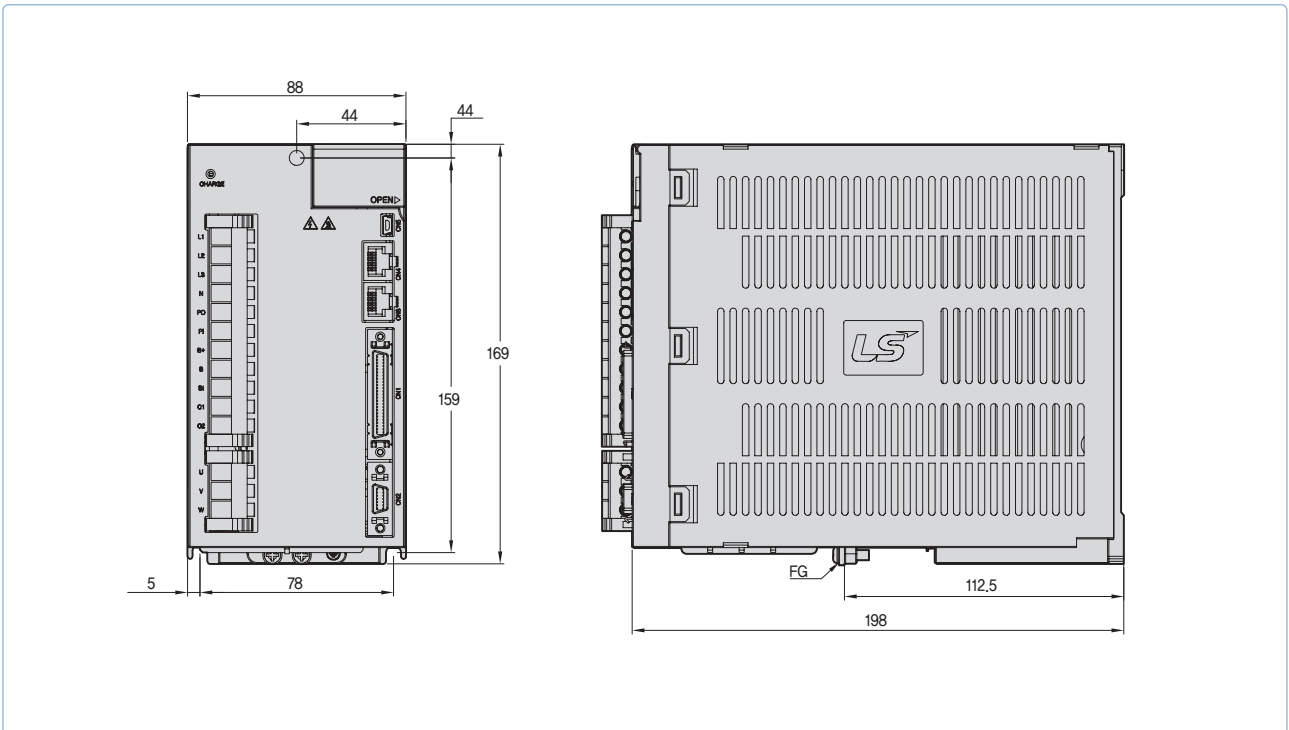
XDL-L7SB010 □ [Weight : 1.5kg(Fan-Cooling included)]

\*Unit [mm]



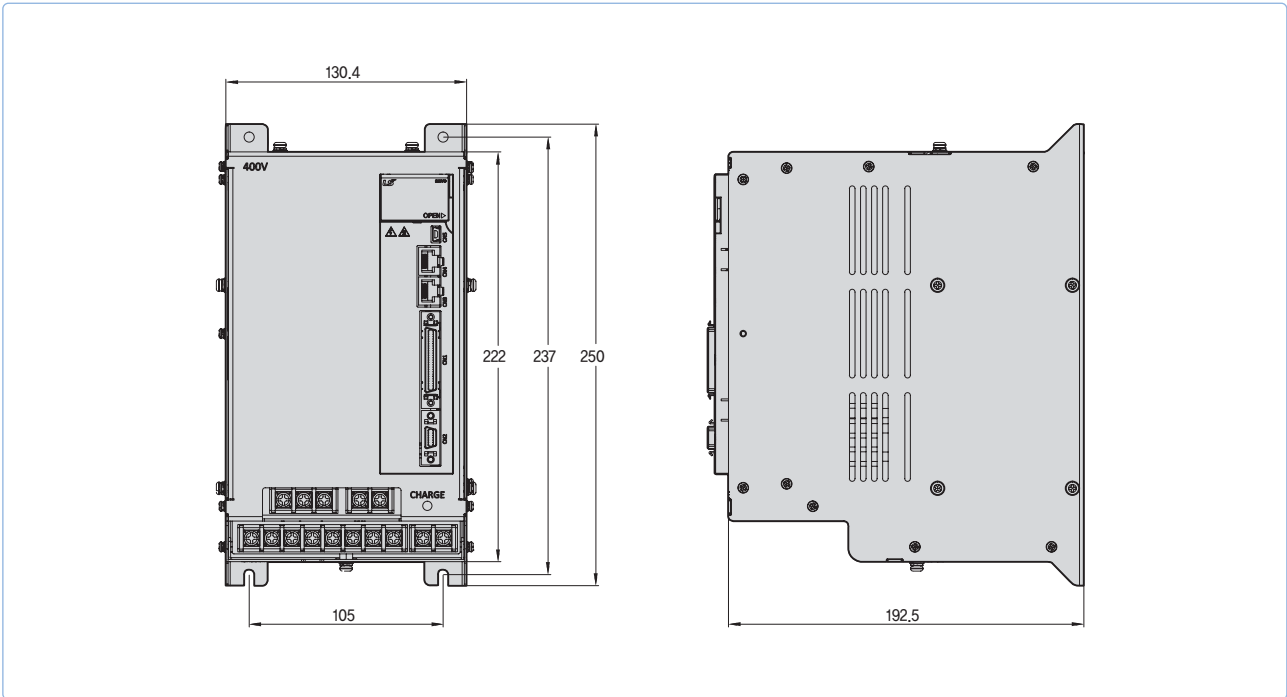
XDL-L7SB020 □ / XDL-L7SB035 □ [Weight : 2.5kg(Fan-Cooling included)]

\*Unit [mm]



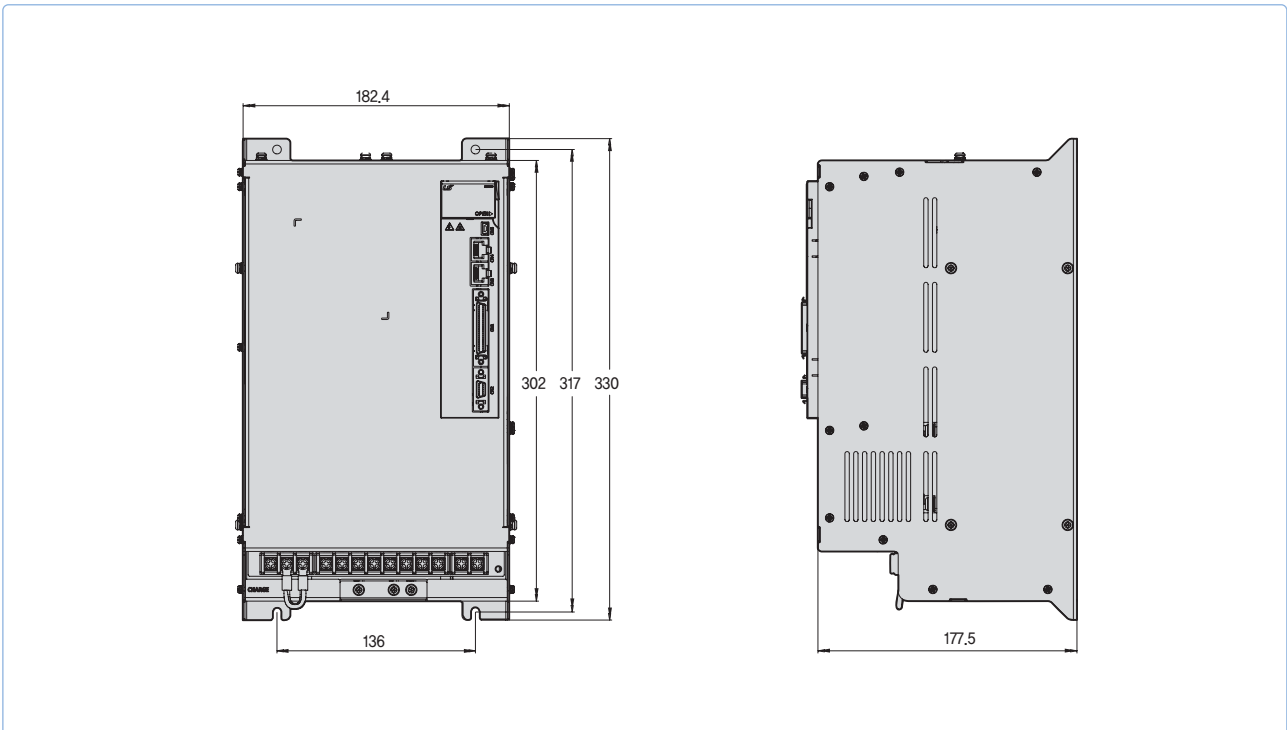
### XDL-L7SB050 [Weight : 5.5kg(Fan-Cooling included)]

\*Unit [mm]



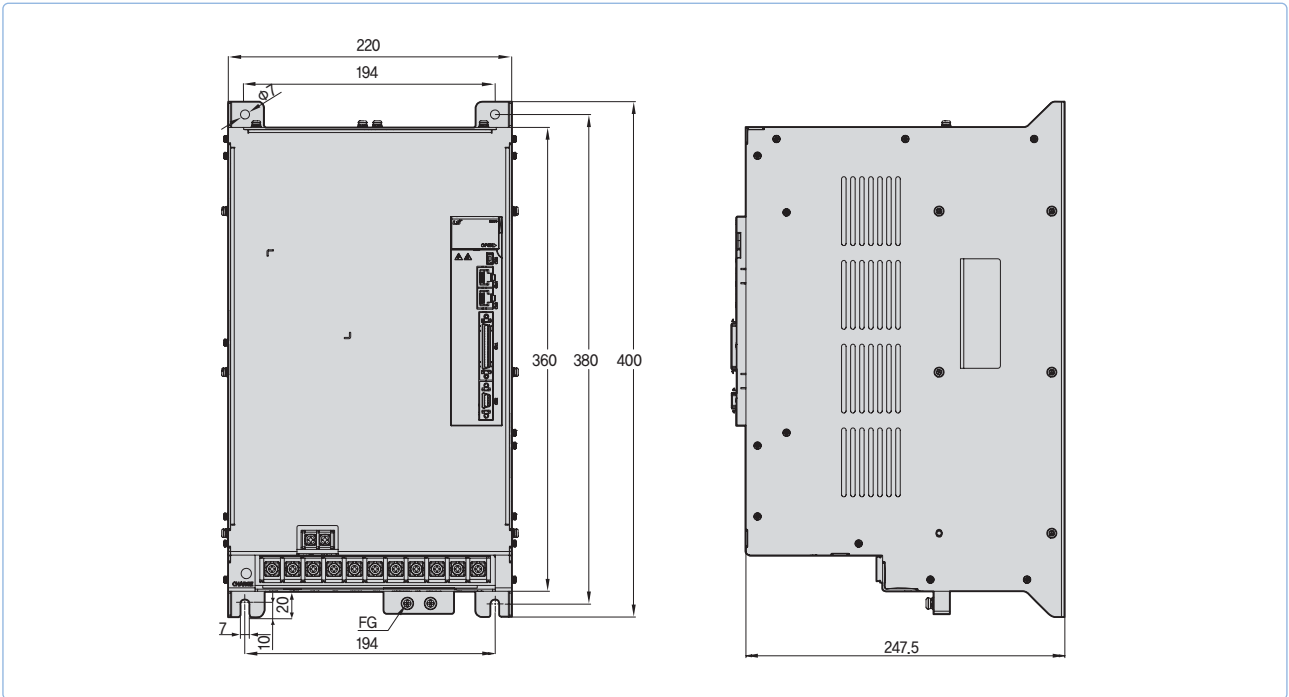
### XDL-L7SA075 [Weight : 8.5kg(Fan-Cooling included)]

\*Unit [mm]



XDL-L7SB150 □ [Weight : 15.5kg(Fan-Cooling included)]

\*Unit [mm]



## XDL-L7N Series



### Servo Drive Designation

Model Name	Communication	Input Power Supply	Capacity	Encoder Type	Option
XDL - L7	N	A	004	B	AA
XDL Series	Network Type	A : 200VAC	001 : 100W 002 : 200W 004 : 400W 008 : 750W 010 : 1.0kW 020 : 2.0kW 035 : 3.5kW 050 : 5.0kW	B : Serial (Communication Type)	Exclusive Option Code

## EtherCAT Communication Type **XDL-L7N**

### Real-time control by EtherCAT

- High speed, Real-time capability and Synchronization mechanism
- 100BASE-TX(100Mbps) EtherNET based real-time communication

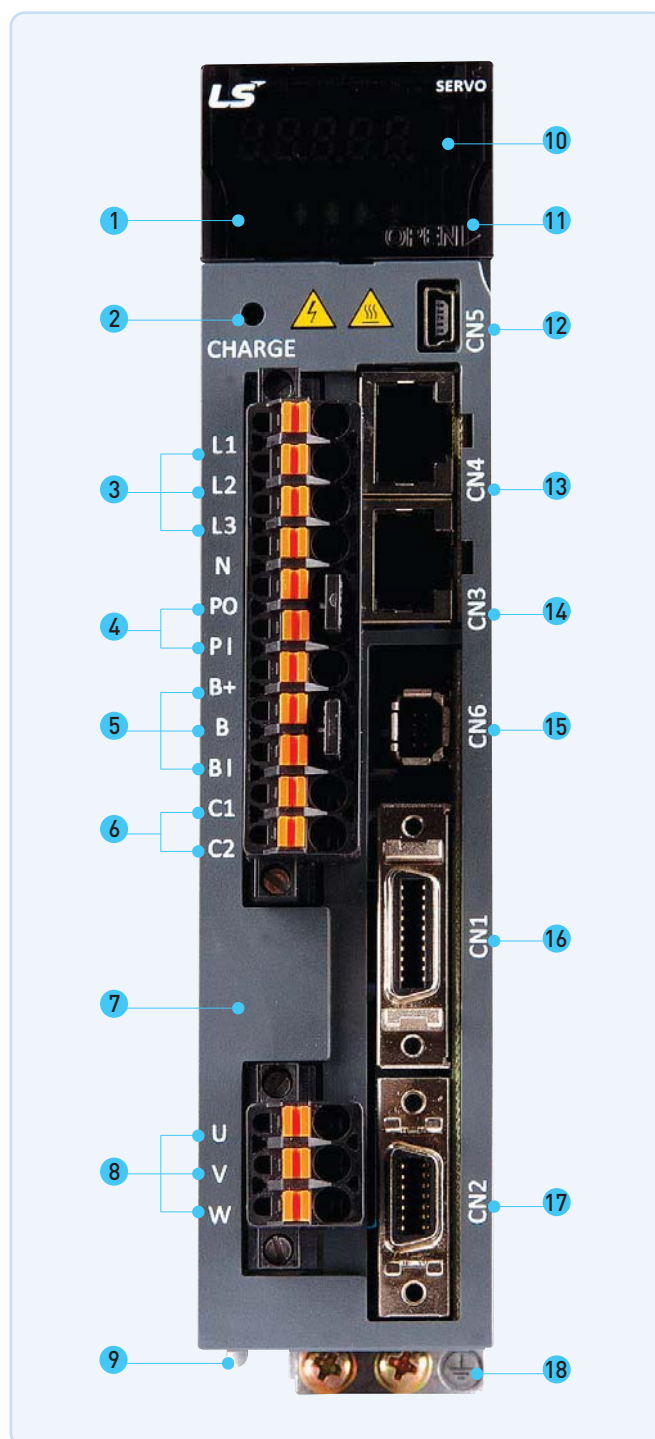
### Support Various Operation Mode

- Cyclic(P/S/T) Mode and Profile (P/S/T)Mode, Homing Mode

### High Response for Precision Control

- High Resolutions Serial type Encoder(19Bit, BiSS)
- Improved Speed Response(=1Khz) Frequency

- 1 Operation keys (Mode, Up, Down, Set)
- 2 Charge lamp
- 3 Main power connector (L1, L2, L3)
- 4 DC reactor connector(PO, PI)
  - Short circuit when not used
- 5 Regenerative Resistor Connector (B+, B, BI)
  - Short-Circuit B, BI terminals when standard type
  - Use B+, B terminals when using external resistor
- 6 Control Power Connector (C1, C2)
- 7 Front cover
- 8 Servo Motor Connecting Terminals (U, V, W)
- 9 Heat Sink
- 10 Display
- 11 Status LED
- 12 CN5:USB connector
- 13 CN4:EtherCAT Communication Port (IN)
- 14 CN3:EtherCAT Communication Port (OUT)
- 15 CN6 : STO Connector
- 16 CN1 : Control Signal Connector
- 17 CN2 : Encoder Signal Connector
- 18 Ground



## XDL-L7NA Serial Type

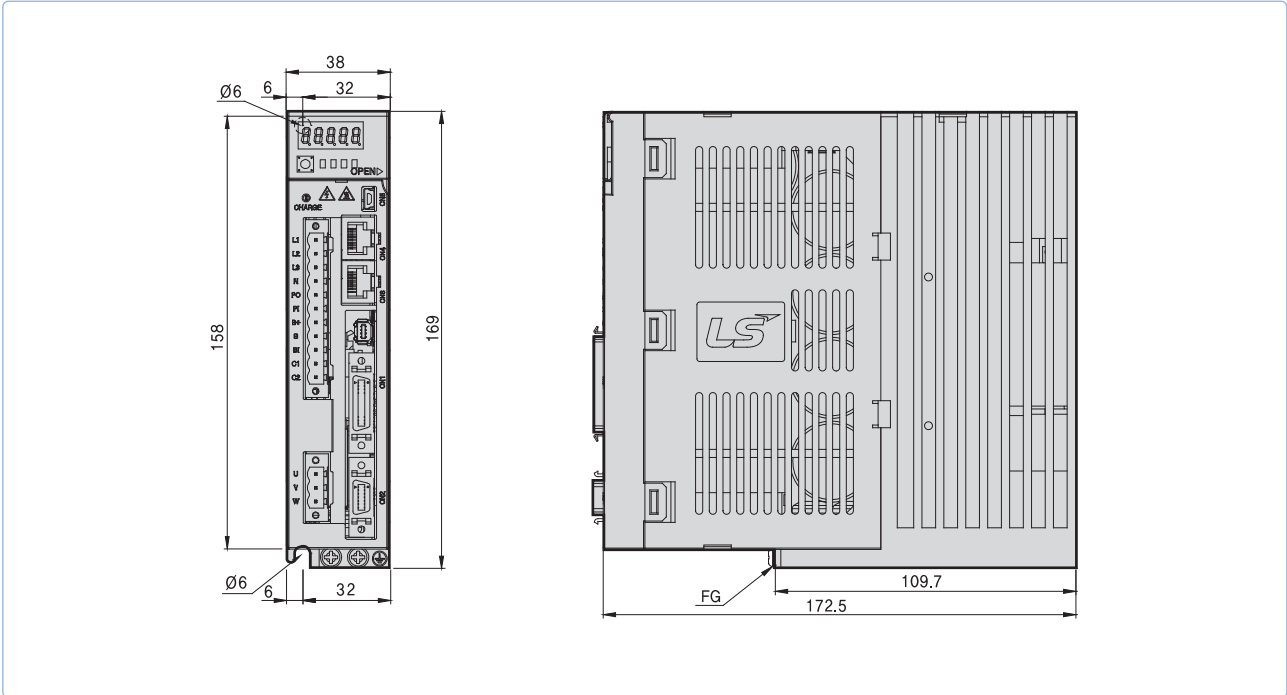
Rated Speed (rpm)	Maximum Speed (rpm)	Flange Size	Applicable Motor	Applicable Drive	Standard Encoder Type	Encoder Cable		Power Cable				
					Serial Type	Serial	Abs	For power	Power + Brake	Brake		
3,000	5,000	□ 40	FALR5A	L7NA001B	* 18Bit Serial Absolute	XLCS-E□□□ES	XLCS-E□□□ES1	XLCS-P□□□LS	-	XLCS-B□□□QS		
		□ 40	FAL01A	L7NA001B								
		□ 40	FAL015A	L7NA004B								
		□ 60	FBL01A	L7NA001B								
		□ 60	FBL02A	L7NA002B								
		□ 60	FBL04A	L7NA004B								
		□ 80	FCL04A	L7NA004B								
		□ 80	FCL06A	L7NA008B								
		□ 80	FCL08A	L7NA008B								
		□ 80	FCL10A	L7NA010B								
		□ 60	FB01A	L7NA001B				XLCS-P□□□FS				
		□ 60	FB02A	L7NA002B								
		□ 60	FB04A	L7NA004B								
		□ 80	FC04A	L7NA004B								
		□ 80	FC06A	L7NA008B								
		□ 80	FC08A	L7NA008B								
		□ 80	FC10A	L7NA010B								
		□ 130	FE09A	L7NA010B								
		□ 130	FE15A	L7NA020B								
		□ 130	FE22A	L7NA020B								
□ 130	FE30A	L7NA035B	XLCS-P□□□HS	XLCS-P□□□NB	-							
□ 180	FF30A	L7NA035B										
□ 180	FF50A	L7NA050B	XLCS-P□□□IS	XLCS-P□□□PB								
			XLCS-P□□□JS	XLCS-P□□□LB								
2,000	3,000	□ 80	FCL03D	L7NA004B	* 19Bit Serial Absolute	XLCS-E□□□ES	XLCS-E□□□ES1	XLCS-P□□□LS	-	XLCS-B□□□QS		
		□ 80	FCL05D	L7NA008B								
		□ 80	FCL06D	L7NA008B								
		□ 80	FCL07D	L7NA008B								
		□ 80	FC03D	L7NA004B								
		□ 80	FC05D	L7NA008B								
		□ 80	FC06D	L7NA008B								
		□ 80	FC07D	L7NA008B								
		□ 130	FE06D	L7NA008B				XLCS-P□□□HS	XLCS-P□□□NB			
		□ 130	FE11D	L7NA010B								
		□ 130	FE16D	L7NA020B								
		□ 130	FE22D	L7NA020B								
		□ 180	FF22D	L7NA020B								
		□ 180	FF35D	L7NA035B								
		□ 180	FF55D	L7NA050B				XLCS-P□□□IS	XLCS-P□□□PB			
		□ 220	FG22D	L7NA020B				XLCS-P□□□JS	XLCS-P□□□LB			
		2,700	□ 220	FG35D				L7NA035B	XLCS-P□□□IS	-	XLCS-P□□□SB	
		3,000	□ 220	FG55D				L7NA050B	XLCS-P□□□JS			
1,500	3,000	□ 130	FE05G	L7NA008B	* 19Bit Serial Absolute	XLCS-E□□□DS	XLCS-E□□□DS1	XLCS-P□□□HS	XLCS-P□□□NB			
		□ 130	FE09G	L7NA010B								
		□ 130	FE13G	L7NA020B								
		□ 130	FE17G	L7NA020B								
	□ 180	FF20G	L7NA020B	XLCS-P□□□IS				XLCS-P□□□PB				
	2,700	□ 180	FF30G						L7NA035B			
	3,000	□ 180	FF44G						L7NA050B	XLCS-P□□□JS	XLCS-P□□□LB	
		□ 220	FG20G						L7NA020B	XLCS-P□□□IS	-	XLCS-P□□□SB
2,700	□ 220	FG30G	L7NA035B	XLCS-P□□□JS								
3,000	□ 220	FG44G	L7NA050B	XLCS-P□□□JS								
1,000	2,000	□ 130	FE03M	L7NA004B	* 19Bit Serial Absolute	XLCS-E□□□DS	XLCS-E□□□DS1	XLCS-P□□□HS	XLCS-P□□□NB			
		□ 130	FE06M	L7NA008B								
		□ 130	FE09M	L7NA010B								
		□ 130	FE12M	L7NA020B								
		□ 180	FF12M	L7NA020B								
	□ 180	FF20M	L7NA020B	XLCS-P□□□IS				XLCS-P□□□PB				
	1,700	□ 180	FF30M						L7NA035B			
		□ 180	FF44M						L7NA050B	XLCS-P□□□JS	XLCS-P□□□LB	
	2,000	□ 220	FG12M						L7NA020B	XLCS-P□□□IS	-	XLCS-P□□□SB
		□ 220	FG20M						L7NA020B	XLCS-P□□□JS		
1,700		□ 220	FG30M	L7NA035B	XLCS-P□□□IS							
2,000	□ 220	FG44M	L7NA050B	XLCS-P□□□JS								

## XDL-L7NA Drive

Item	Type Name	L7NA001B	L7NA002B	L7NA004B	L7NA008B	L7NA010B	L7NA020B	L7NA035B	L7NA050B
Input Power	Main Power Supply	3 Phase AC200 ~ 230[V](-15 ~ +10[%]), 50 ~ 60[Hz]							
	Control Power Supply	Single Phase AC200 ~ 230[V](-15 ~ +10[%]), 50 ~ 60[Hz]							
Rated Current[A]		1.4	1.7	3.0	5.2	6.75	13.5	16.7	32
Peak Current[A]		4.2	5.1	9.0	15.6	20.25	40.5	50.1	96
Encoder Type		Quad. Type Incremental Line Driver Max 6000 [P/R] Serial Type 19Bit							
Control Performance	Speed Control Range	Maximum 1: 5000							
	Frequency Response	Maximum 1 kHz or more (when the 19-bit serial encoder is applied)							
	Speed Variation Ratio	±0.01[%] or lower(When the load changes between 0 and 100%), ±0.1[%] or less(Temperature of 25°C[±10])							
	Torque Control Repetition Accuracy	Within ±1%							
Supported Drive Modes (CiA402)		Profile Position Mode Profile Velocity Mode Profile Torque Mode Interpolated Position Mode Cyclic Synchronous Position Mode Cyclic Synchronous Velocity Mode Cyclic Synchronous Torque Mode Homing Mode							
Digital Input/Output	Digital Input	Total 6 input channels (allocable) PCON, GAIN2, ALMRST, HOME, P-OT, N-OT Above 6 functions can be used selectively for assignment. Signal can be set as positive logic or negative logic.							
	Touch Probe Input	There are 2 input channels. Provides rising and falling edge detection functions for each channel.							
	Digital Output	Total 4 channels (allocable) ALARM, READY, ZSPD, BRAKE, INPOS, INSPD, WARN Above 7 outputs can be used selectively for assignment. Signal can be set as positive logic or negative logic.							
Additional Communication	USB	Program download is available with USB Communication.							
Built-in Functions	Dynamic Braking	Built-in type(operates when Servo alarm or Servo off)							
	Regenerative Braking	Built-in type, and also external connection is available							
	Display	7 segments(5DIGIT)							
	Setting Function	Loder{SET}, (MODE)							
	Additional Function	Auto gain tuning function							
Operation Environment	Protective Function	Overcurrent, overload, overvoltage, insufficient voltage, main power input problem, control power input problem, overspeed, motor cable, overheat(power module overheat, abnormal drive operation <sup>o</sup> s temp), encoder problem, over-regenerative, sensor problem, communication problem							
	Temperature	0 ~ 50[°C]							
	Humidity	Below 90[%]RH(avoid dew-condensation)							
Environment		Indoor, Avoid corrosive, inflammable gas or liquid, and electrically conductive dust.							

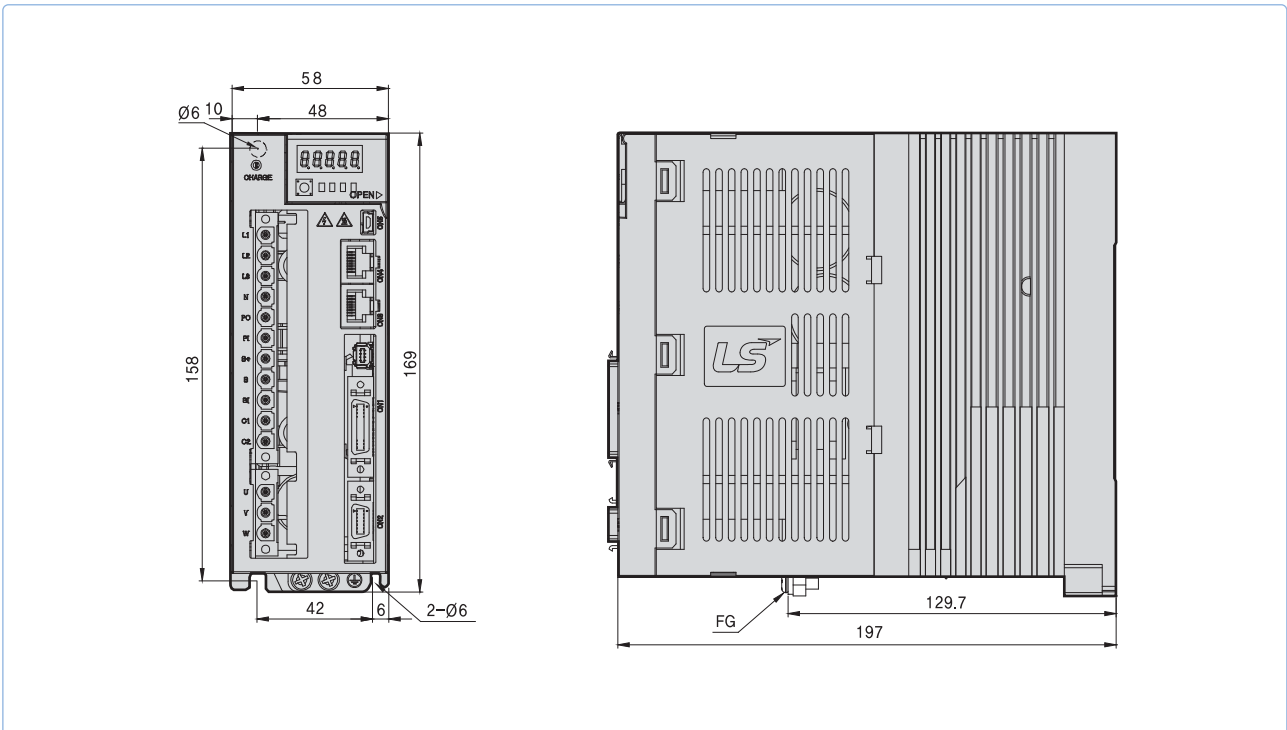
### XDL-L7NA001B ~ XDL-L7NA004B [Weight : 1.2kg]

\*Unit [mm]



### XDL-L7NA008B / XDL-L7NA010B [Weight : 1.5kg (Fan-Cooling included)]

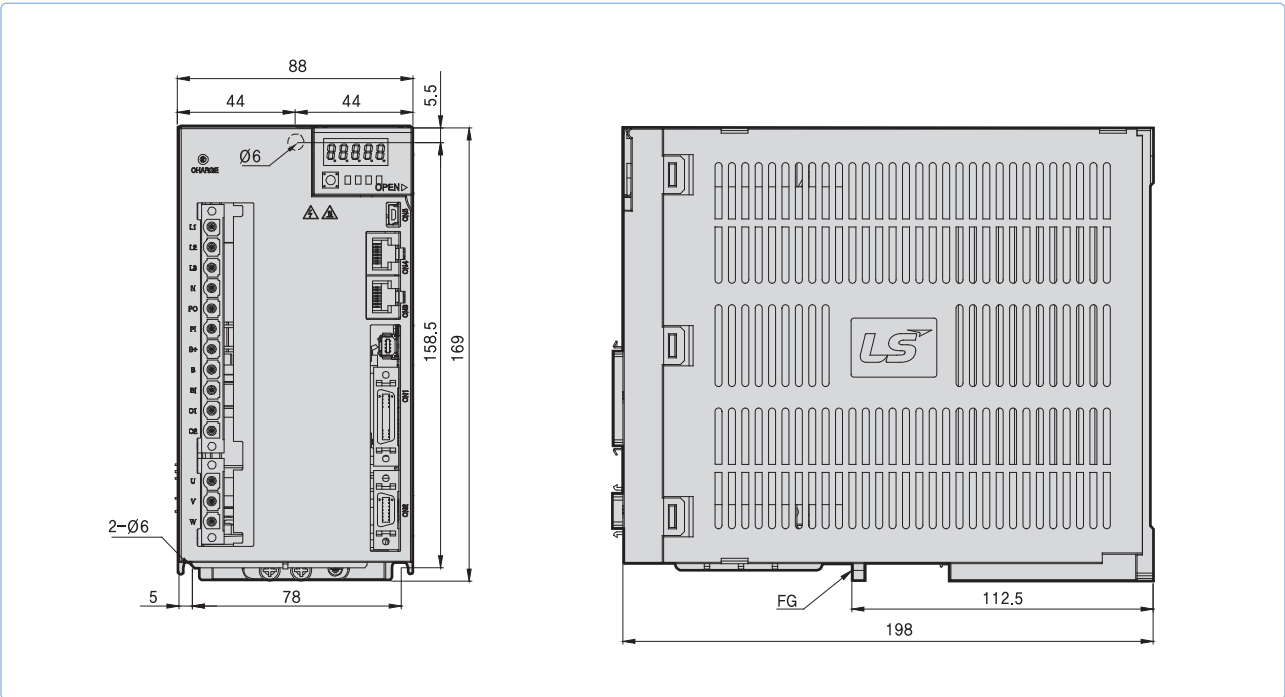
\*Unit [mm]





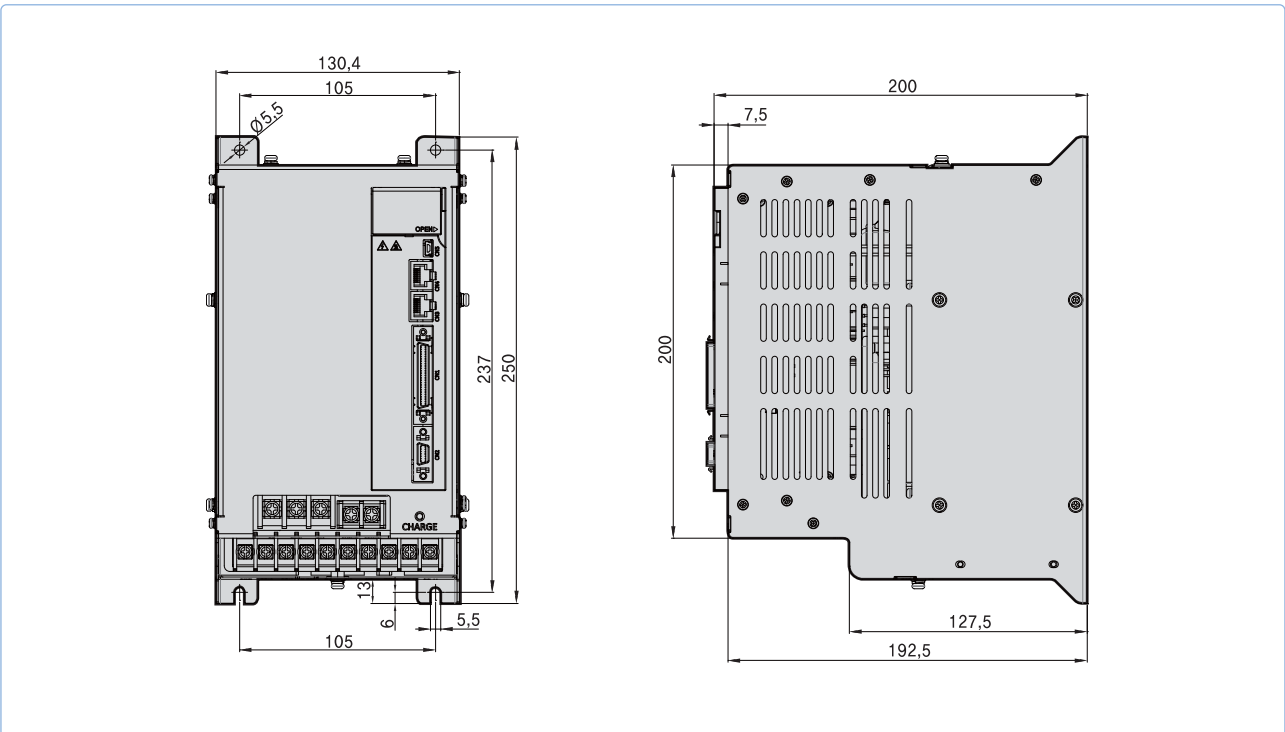
XDL-L7NA020B / XDL-L7NA035B[Weight : 2.5kg(Fan-Cooling included)]

\*Unit [mm]



XDL-L7NA050B[Weight : 5.5kg(Fan-Cooling included)]

\*Unit [mm]



## XDL-L7NH Series



### Servo Drive Designation

XDL - L7	NH	A	004	B	AA
<b>Model Name</b>	<b>Communication</b>	<b>Input Power Supply</b>	<b>Capacity</b>	<b>Encoder Type</b>	<b>Option</b>
XDL Series	Network / All-in-One Type	A:200VAC B:400VAC	001:100W 002:200W 004:400W 008:750W 010:1.0kW 020:2.0kW 035:3.5kW 050:5.0kW 075:7.5kW 110:11kW 150:15kW	U:Universal	Exclusive Option Code

**\* Range**

- 200V : 0.1kW~3.5kW
- 400V : 1.0kW~15kW

## All-in-One EtherCAT Communication Type **XDL-L7NH**

### Real-time control through EtherCAT

- High speed, Real-time capability and Synchronization mechanism
- Improved EtherCAT communication speed (min. 250us, DC support)
- Supporting CoE, EoE and FoE
- Improved Speed Response(=1.6kHz) Frequency

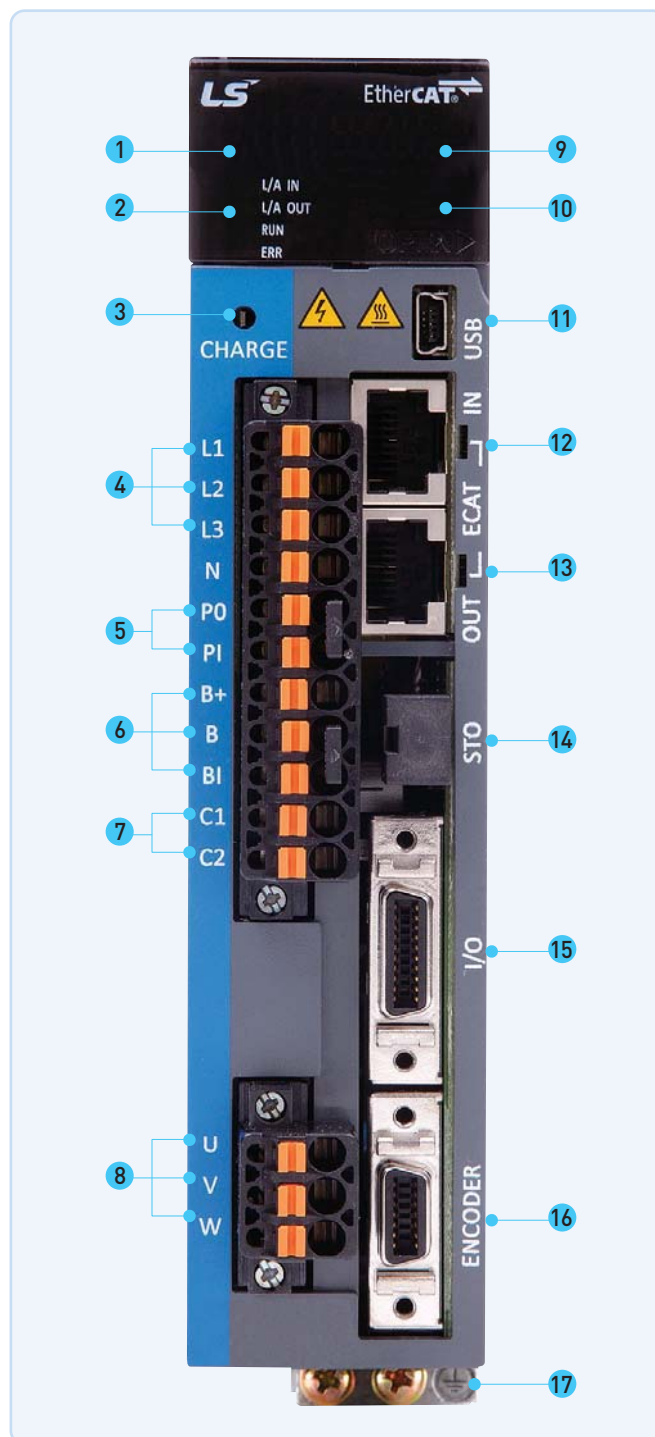
### Support various motor and Encoder drive

- Supporting Rotary, DD and Motor drive (supporting 3rd party motor)
- Quadrature, BiSS-C, Tamagawa serial abs, EnDat 2.2, Resolver

### Improved Control Performance

- Improved Control bandwidth
- Providing 4-step Notch-Filter
- Vibration control by Real-time FET
- Real-time gain tuning function

- 1 Display
- 2 State LED
- 3 Charge Lamp
- 4 Main Power Connector (L1, L2, L3)
- 5 DC Reactor Connector (PO, PI)
- 6 Regenerative Resistance Connector (B+, B, BI)
  - Short-Circuit B, BI terminals when standard type
  - Use B+, B terminals when using external resistor
- 7 Control Power Connector (C1, C2)
- 8 Servo Motor Connecting Terminal (U,V,W)
- 9 Connector for Analog Monitor
- 10 Node Address Setting Switch
- 11 USB Connector
- 12 EtherCAT Communication Port (IN)
- 13 EtherCAT Communication Port (OUT)
- 14 Safety Connector (STO)
- 15 Input / Output signal /Connector
- 16 Encoder Connector (ENCODER)
- 17 Ground Terminal



## XDL-L7NHA Incremental Type

Rated Speed (rpm)	Maximum Speed (rpm)	Flange Size	Applicable Motor	Applicable Drive	Standard Encoder Type	Encoder Cable	Power Cable									
					Quadrature Type	INC	For power	Power + Brake	Brake							
3,000	5,000	□40	SAR3A	L7NHA001U	* 2,048 P/R	XLCS-E□□□AS	XLCS-P□□□GS	-	XLCS-P□□□KB							
		□40	SAR5A	L7NHA001U												
		□40	SA01A <small>Note1)</small>	L7NHA001U												
		□40	SA015A	L7NHA004U												
		□60	SB01A	L7NHA002U												
		□60	SB02A	L7NHA002U												
		□60	SB04A	L7NHA004U												
		□80	SC04A	L7NHA004U												
		□80	SC06A	L7NHA008U												
		□80	SC08A	L7NHA008U												
		□80	SC10A	L7NHA010U												
		□130	SE09A	L7NHA008U												
		□130	SE15A	L7NHA020U												
		□130	SE22A	L7NHA020U												
		□180	SF30A	L7NHA035U												
		□180	SF50A	L7NHA050U												
2,000	3,000	□80	SC03D	L7NHA004U	* 3,000 P/R	XLCS-E□□□AS	XLCS-P□□□GS	-	XLCS-P□□□KB							
		□80	SC05D	L7NHA008U												
		□80	SC06D	L7NHA008U												
		□80	SC07D	L7NHA008U												
		□130	SE06D	L7NHA008U												
		□130	SE11D	L7NHA010U												
		□130	SE16D	L7NHA020U												
		□130	SE22D	L7NHA020U												
		□180	SF22D	L7NHA020U												
		□180	LF35D	L7NHA035U												
		□180	SF55D	L7NHA050U												
		2,500	3,000	□180						SF75D	L7NHA075U	* 3,000 P/R	XLCS-E□□□BS	XLCS-P□□□HS	XLCS-P□□□NB	-
				□220						SG22D	L7NHA020U					
				□220						LG35D	L7NHA035U					
				□220						SG55D	L7NHA050U					
				□220						SG75D	L7NHA075U					
□220	SG110D			L7NHA150U												
1,500	2,000			□130	SE05G	L7NHA008U	* 3,000 P/R	XLCS-E□□□BS	XLCS-P□□□HS	XLCS-P□□□NB	-					
				□130	SE09G	L7NHA010U										
				□130	SE13G	L7NHA020U										
				□130	SE17G	L7NHA020U										
				□180	SF20G	L7NHA035U										
				□180	SF44G	L7NHA050U										
				□180	SF60G	L7NHA075U										
				□220	SF75G	L7NHA150U										
				□180	LF30G	L7NHA035U										
				□220	SG20G	L7NHA020U										
		□220	LG30G	L7NHA035U												
		□220	SG44G	L7NHA050U												
		□220	SG60G	L7NHA075U												
		□220	SG85G	L7NHA150U												
		□220	SG110G	L7NHA150U												
		□220	SG150G	L7NHA150U												
1,000	2,000	□130	SE03M	L7NHA004U	* 3,000 P/R	XLCS-E□□□BS	XLCS-P□□□HS	XLCS-P□□□NB	-							
		□130	SE06M	L7NHA008U												
		□130	SE09M	L7NHA010U												
		□130	SE12M	L7NHA020U												
		□180	SF12M	L7NHA020U												
		□180	SF20M	L7NHA035U												
		□180	LF30M	L7NHA035U												
		□180	SF44M	L7NHA050U												
		□220	SG12M	L7NHA020U												
		□220	SG20M	L7NHA035U												
		□220	LG30M	L7NHA035U												
		□220	SG44M	L7NHA050U												
		□220	SG60M	L7NHA075U												
		3,000	3,500	□60						HB01A	L7NHA002U	* 1,048 P/R	XLCS-E□□□AS	XLCS-P□□□GS	-	-
				□60						HB02A	L7NHA002U					
				□60						HB04A	L7NHA004U					
□130	HE09A			L7NHA008U												
□130	HE15A			L7NHA020U												
□130	HE15A			L7NHA020U												

Note1) Motor name SA01A combines with the below drive and encoder cable.

Incremental: XDL-L7SA001A, XLCS-E□□□AS, Serial: XDL-L7SA001B, XLCS-E□□□CS, Absolute: XDL-L7SA001B, XLCS-E□□□CS1

### XDL-L7NHA Serial Type

Rated Speed (rpm)	Maximum Speed (rpm)	Flange Size	Applicable Motor	Applicable Drive	Standard Encoder Type		Encoder Cable		Power Cable				
					Serial Type	Serial	Abs	For power	Power + Brake	Brake			
3,000	5,000	□40	FALR5A	L7NHA001U	* 18Bit Serial Absolute	XLCS-E□□□ES	XLCS-E□□□ES1	XLCS-P□□□LS	-	XLCS-B□□□QS			
		□40	FAL01A	L7NHA001U									
		□40	FAL015A	L7NHA004U									
		□60	FBL01A	L7NHA001U									
		□60	FBL02A	L7NHA002U									
		□60	FBL04A	L7NHA004U									
		□80	FCL04A	L7NHA004U									
		□80	FCL06A	L7NHA008U									
		□80	FCL08A	L7NHA008U									
		□80	FCL10A	L7NHA010U									
		□60	FB01A	L7NHA001U									
		□60	FB02A	L7NHA002U									
		□60	FB04A	L7NHA004U									
		□80	FC04A	L7NHA004U									
		□80	FC06A	L7NHA008U									
		□80	FC08A	L7NHA008U									
		□80	FC10A	L7NHA010U									
		□130	FE09A	L7NHA010U									
		□130	FE15A	L7NHA020U									
		□130	FE22A	L7NHA020U									
		□130	FE30A	L7NHA035U									
		□180	FF30A	L7NHA035U									
		□180	FF50A	L7NHA050U									
		2,000	3,000	□80				FCL03D	L7NHA004U	* 19Bit Serial Absolute		XLCS-E□□□ES	XLCS-E□□□ES1
□80	FCL05D			L7NHA008U									
□80	FCL06D			L7NHA008U									
□80	FCL07D			L7NHA008U									
□80	FC03D			L7NHA004U									
□80	FC05D			L7NHA008U									
□80	FC06D			L7NHA008U									
□80	FC07D			L7NHA008U									
□130	FE06D			L7NHA008U									
□130	FE11D			L7NHA010U									
□130	FE16D			L7NHA020U									
□130	FE22D			L7NHA020U									
□180	FF22D		L7NHA020U										
□180	FF35D		L7NHA035U										
□180	FF55D		L7NHA050U										
2,500	□180		FF75D	L7NHA075U									
3,000	□220		FG22D	L7NHA020U									
	□220		FG35D	L7NHA035U									
	□220		FG55D	L7NHA050U									
	2,500		□220	FG75D	L7NHA075U								
			□220	FG110D	L7NHA150U								
	1,500		3,000	□130	FE05G	L7NHA008U	XLCS-E□□□DS	XLCS-E□□□DS1	XLCS-P□□□HS		XLCS-P□□□NB	-	
□130				FE09G	L7NHA010U								
□130				FE13G	L7NHA020U								
□130		FE17G		L7NHA020U									
□180		FF20G		L7NHA020U									
□180		FF30G		L7NHA035U									
2,700		□180	FF44G	L7NHA050U									
3,000		□180	FF44G	L7NHA050U									
		□180	FF60G	L7NHA075U									
2,500		□180	FF75G	L7NHA075U									
		□220	FG20G	L7NHA020U									
2,000		2,700	□220	FG30G	L7NHA035U								
	□220		FG44G	L7NHA050U									
	□220		FG60G	L7NHA075U									
	3,000	□220	FG85G	L7NHA150U									
		□220	FG110G	L7NHA150U									
		□220	FG150G	L7NHA150U									
1,000	2,000	□130	FE03M	L7NHA004U	XLCS-P□□□HS	XLCS-P□□□NB	-						
		□130	FE06M	L7NHA008U									
		□130	FE09M	L7NHA010U									
		□130	FE12M	L7NHA020U									
		□180	FF12M	L7NHA020U									
		□180	FF20M	L7NHA020U									
	1,700	□180	FF30M	L7NHA035U									
		□180	FF44M	L7NHA050U									
	2,000	□220	FG12M	L7NHA020U									
		□220	FG20M	L7NHA020U									
	1,700	□220	FG30M	L7NHA035U									
		□220	FG44M	L7NHA050U									
2,000	□220	FG60M	L7NHA075U										
	□220	FG60M	L7NHA075U										

Servo Drive

## XDL-L7NHB Incremental Type

Rated Speed (rpm)	Maximum Speed (rpm)	Flange Size	Applicable Motor	Applicable Drive	Standard Encoder Type	Encoder Cable	Power Cable				
					Quadrature Type	INC	For power	Power + Brake	Brake		
3,000	5,000	□ 130	SEP09A	L7NHB010U	*3,000 P/R	XLCS-E□□□BS	XLCF-P□□□HS	XLCF-P□□□NB	-		
		□ 130	SEP15A	L7NHB010U							
		□ 130	SEP22A	L7NHB020U							
		□ 130	SEP30A	L7NHB035U							
		□ 180	SFP30A	L7NHB035U							
		□ 180	SFP50A	L7NHB050U							
2,000	3,000	□ 130	SEP06D	L7NHB010U			XLCF-P□□□HS	XLCF-P□□□NB		-	
		□ 130	SEP11D	L7NHB010U							
		□ 130	SEP16D	L7NHB020U							
		□ 130	SEP22D	L7NHB020U							
		□ 180	SFP22D	L7NHB020U							
		□ 180	SFP35D	L7NHB035U							
		□ 180	SFP55D	L7NHB050U							
		□ 180	SFP75D	L7NHB075U							
	2,500	2,000	□ 220	SGP22D			L7NHB020U	XLCF-P□□□IS			XLCF-P□□□PB
			□ 220	SGP35D			L7NHB035U				
			□ 220	SGP55D			L7NHB050U				
			□ 220	SGP75D			L7NHB075U				
			□ 220	SGP110D			L7NHB100U				
			□ 220	SGP150D			L7NHB150U				
1,500	3,000	□ 130	SEP05G	L7NHB010U			XLCF-P□□□HS	XLCF-P□□□NB		-	
		□ 130	SEP09G	L7NHB010U							
		□ 130	SEP13G	L7NHB020U							
		□ 130	SEP17G	L7NHB020U							
		□ 180	SFP20G	L7NHB020U							
		□ 180	SFP30G	L7NHB050U							
		□ 180	SFP44G	L7NHB050U							
		□ 180	SFP60G	L7NHB075U							
	2,500	2,000	□ 180	SFP75G			L7NHB075U	XLCF-P□□□IS			XLCF-P□□□PB
			□ 220	SGP20G			L7NHB020U				
			□ 220	SGP30G	L7NHB050U						
			□ 220	SGP44G	L7NHB050U						
			□ 220	SGP60G	L7NHB075U						
			□ 220	SGP85G	L7NHB100U						
	2,000	1,500	□ 220	SGP110G	L7NHB150U	XLCF-P□□□JS	XLCF-P□□□LB				
			□ 220	SGP150G	L7NHB150U						
			□ 220	SGP20G	L7NHB020U						
			□ 220	SGP30G	L7NHB050U						
1,000	2,000	□ 130	SEP03M	L7NHB010U	XLCF-P□□□HS	XLCF-P□□□NB	-				
		□ 130	SEP06M	L7NHB010U							
		□ 130	SEP09M	L7NHB010U							
		□ 130	SEP12M	L7NHB020U							
		□ 180	SFP12M	L7NHB020U							
		□ 180	SFP20M	L7NHB020U							
	1,700	1,000	□ 180	SFP30M	L7NHB035U	XLCF-P□□□IS		XLCF-P□□□PB			
			□ 180	SFP44M	L7NHB050U						
	2,000	1,000	□ 220	SGP12M	L7NHB020U	XLCF-P□□□JS		XLCF-P□□□LB			
			□ 220	SGP20M	L7NHB020U						
			□ 220	SGP30M	L7NHB050U						
			□ 220	SGP44M	L7NHB050U						
			□ 220	SGP60M	L7NHB150U						
			□ 220	SGP85M	L7NHB200U						

### XDL-L7NHB Serial Type

Rated Speed (rpm)	Maximum Speed (rpm)	Flange Size	Applicable Motor	Applicable Drive	Standard Encoder Type	Encoder Cable		Power Cable									
					Serial Type	Serial	Abs	For power	Power + Brake	Brake							
3,000	5,000	□ 130	FEP09A	L7NHB010U	* 19Bit Serial Absolute	XLCS-E□□□DS	XLCS-E□□□DS1	XLCF-P□□□HS	XLCF-P□□□NB								
		□ 130	FEP15A	L7NHB020U													
		□ 130	FEP22A	L7NHB035U													
		□ 130	FEP30A	L7NHB035U													
		□ 180	FFP30A	L7NHB035U													
		□ 180	FFP50A	L7NHB050U													
2,000	3,000	□ 130	FEP06D	L7NHB010U				* 19Bit Serial Absolute	XLCS-E□□□DS	XLCS-E□□□DS1	XLCF-P□□□HS	XLCF-P□□□NB					
		□ 130	FEP11D	L7NHB010U													
		□ 130	FEP16D	L7NHB020U													
		□ 130	FEP22D	L7NHB020U													
		□ 180	FFP22D	L7NHB020U													
		□ 180	FFP35D	L7NHB035U													
	2,500	3,000	□ 180	FFP55D							L7NHB050U	* 19Bit Serial Absolute	XLCS-E□□□DS	XLCS-E□□□DS1	XLCF-P□□□IS	XLCF-P□□□PB	
			□ 180	FFP75D							L7NHB075U						
			□ 220	FGP22D							L7NHB020U						
			□ 220	FGP35D							L7NHB035U						
			□ 220	FGP55D							L7NHB050U						
			□ 220	FGP75D							L7NHB075U						
1,500	3,000	□ 220	FGP110D	L7NHB150U				* 19Bit Serial Absolute	XLCS-E□□□DS	XLCS-E□□□DS1	XLCF-P□□□IS				XLCF-P□□□PB	XLCF-P□□□LB	
		□ 220	FGP110D	L7NHB150U													
		□ 130	FEP05G	L7NHB010U													
		□ 130	FEP09G	L7NHB010U													
		□ 130	FEP13G	L7NHB020U													
		□ 130	FEP17G	L7NHB020U													
	2,700	3,000	□ 180	FFP20G							L7NHB020U	* 19Bit Serial Absolute	XLCS-E□□□DS	XLCS-E□□□DS1	XLCF-P□□□IS	XLCF-P□□□PB	
			□ 180	FFP30G							L7NHB035U						
			□ 180	FFP44G							L7NHB050U						
			□ 180	FFP60G							L7NHB075U						
			□ 180	FFP75G							L7NHB075U						
			□ 220	FGP20G							L7NHB020U						
2,700	3,000	□ 220	FGP30G	L7NHB035U	* 19Bit Serial Absolute	XLCS-E□□□DS	XLCS-E□□□DS1	XLCF-P□□□IS	XLCF-P□□□PB	XLCF-P□□□LB							
		□ 220	FGP44G	L7NHB050U													
		□ 220	FGP60G	L7NHB075U													
		□ 220	FGP85G	L7NHB150U													
		□ 220	FGP110G	L7NHB150U													
		□ 220	FGP150G	L7NHB150U													
1,000	2,000	□ 220	FGP60G	L7NHB075U				* 19Bit Serial Absolute	XLCS-E□□□DS	XLCS-E□□□DS1	XLCF-P□□□IS	XLCF-P□□□PB	XLCF-P□□□LB				
		□ 220	FGP85G	L7NHB150U													
		□ 130	FEP03M	L7NHB010U													
		□ 130	FEP06M	L7NHB010U													
		□ 130	FEP09M	L7NHB010U													
		□ 130	FEP12M	L7NHB020U													
	1,700	2,000	□ 180	FFP12M	L7NHB020U	* 19Bit Serial Absolute	XLCS-E□□□DS				XLCS-E□□□DS1	XLCF-P□□□IS	XLCF-P□□□PB				
			□ 180	FFP20M	L7NHB020U												
			□ 180	FFP30M	L7NHB035U												
			□ 180	FFP44M	L7NHB050U												
			□ 220	FGP12M	L7NHB020U												
			□ 220	FGP20M	L7NHB020U												
2,000	2,000	□ 220	FGP30M	L7NHB035U	* 19Bit Serial Absolute			XLCS-E□□□DS	XLCS-E□□□DS1	XLCF-P□□□IS		XLCF-P□□□PB	XLCF-P□□□LB				
		□ 220	FGP44M	L7NHB050U													
		□ 220	FGP60M	L7NHB075U													
		□ 220	FGP30M	L7NHB035U													
		□ 220	FGP44M	L7NHB050U													
		□ 220	FGP60M	L7NHB075U													

Servo Drive

## XDL-L7NHA Drive

Item		Type Name	L7NHA001U	L7NHA002U	L7NHA004U	L7NHA008U	L7NHA010U	L7NHA020U	L7NHA035U	L7NHA050U	L7NHA075U	L7NHA150U
Input Power	Main Power Supply	3 Phase AC200 ~ 230[V](-15 ~ +10[%]), 50 ~ 60[Hz]										
	Control Power Supply	Single Phase AC200 ~ 230[V](-15 ~ +10[%]), 50 ~ 60[Hz]										
Rated Current[A]		1.4	1.7	3.0	5.2	6.75	13.5	16.7	32	39.4	76	
Peak Current[A]		4.2	5.1	9.0	15.6	20.25	40.5	50.1	90.88	98.5	190	
Encoder Type		Quadrature[Incremental] BiSS-B, BiSS-C[Absolute, Incremental] Tamagawa Serial[Absolute, Incremental] EnDat 2.2 Sinusoidal Analog Hall										
Control Performance	Speed Control Range	Maximum 1: 5000										
	Frequency Response	Maximum 1[kHz] or above(When the 19-bit Serial Encoder is applied)										
	Speed Variation Ratio	±0.01[%] or lower(When the load changes between 0 and 100%) ±0.1[%] or less(Temperature of 25°C[±10])										
	Torque Control Repetition Accuracy	Within ±1%										
EtherCAT Communication Specifications	Communication Standard	FoE (Firmware download) EoE (Parameter setting by UDP, Tuning, Secondary function, Parameter copy) CoE (IEC 61158 Type12, IEC 61800-7 CIA 402 Drive profile)										
	Physical Layer	100BASE-TX(IEEE802.3)										
	Connector	RJ45 x 2										
	Communication distance	Within connection between nodes 100[m]										
	DC(Distributed Clock)	By DC mode synchronism. minimum DC cycle: 250[us]										
	LED Display	LinkAct IN, LinkAct OUT, RUN, ERR										
	Cia402 Drive Profile	Profile Position Mode Profile Velocity Mode Profile Torque Mode Cyclic Synchronous Position Mode Cyclic Synchronous Velocity Mode Cyclic Synchronous Torque Mode Homing Mode										
Digital Input/Output	Digital Input	Input Voltage range : DC 12[V] ~ DC 24[V] Total 8 input channels (allocable) Above 12 functions can be used selectively for assignment. (*POT, *NOT, *HOME, *STOP, *PCON, *GAIN2, *P_CL, *N_CL, PROBE1, PROBE2, EMG, A_RST) *Basic allocation signal										
	Digital Output	Service rating: DC 24[V] ±10%, 120[mA] Total 4 input channels (allocable) Above 11 functions can be used selectively for assignment. (*BRAKE±, *ALARM±, *READY±, *ZSPD±, INPOS±, TLMT±, VLMT±, INSPD±, WARN±, TGON±, INPOS±) *Basic allocation signal										
Safety Function		2 Input Channels (STO1, STO2), 1 Output Channels (EDM±)										
USB Communication	Function	Firmware download, Parameter setting, Tuning, Secondary function, Parameter copy										
	Communication Standard	USB 2.0 Full Speed (applies standard)										
	Connect	PC or USB storing medium										
Internal Function	Dynamic Braking	Standard built-in brake (activated when the servo alarm goes off or when the servo is off).										
	Regenerative Braking	Both the default built-in brake and an externally installed brake are possible.										
	Display Function	7 segments(5DIGIT)										
	Self-setting Function	The [MODE] key changes the content displayed in 7 segments										
	Additional Function	Auto gain tuning function										
Protection Function		Overcurrent, overload, overvoltage, insufficient voltage, main power input problem, control power input problem, overspeed, motor cable, overheat(power module overheat, abnormal drive operation's temp), encoder problem, over-regenerative, sensor problem, communication problem										
Environment	Temperature	0 ~ +50[°C] / -20~ +70[°C]										
	Humidity	Below 90[%]RH(avoid dew-condensation)										
	Environment	Indoor, Avoid corrosive, inflammable gas or liquid, and electrically conductive dust.										

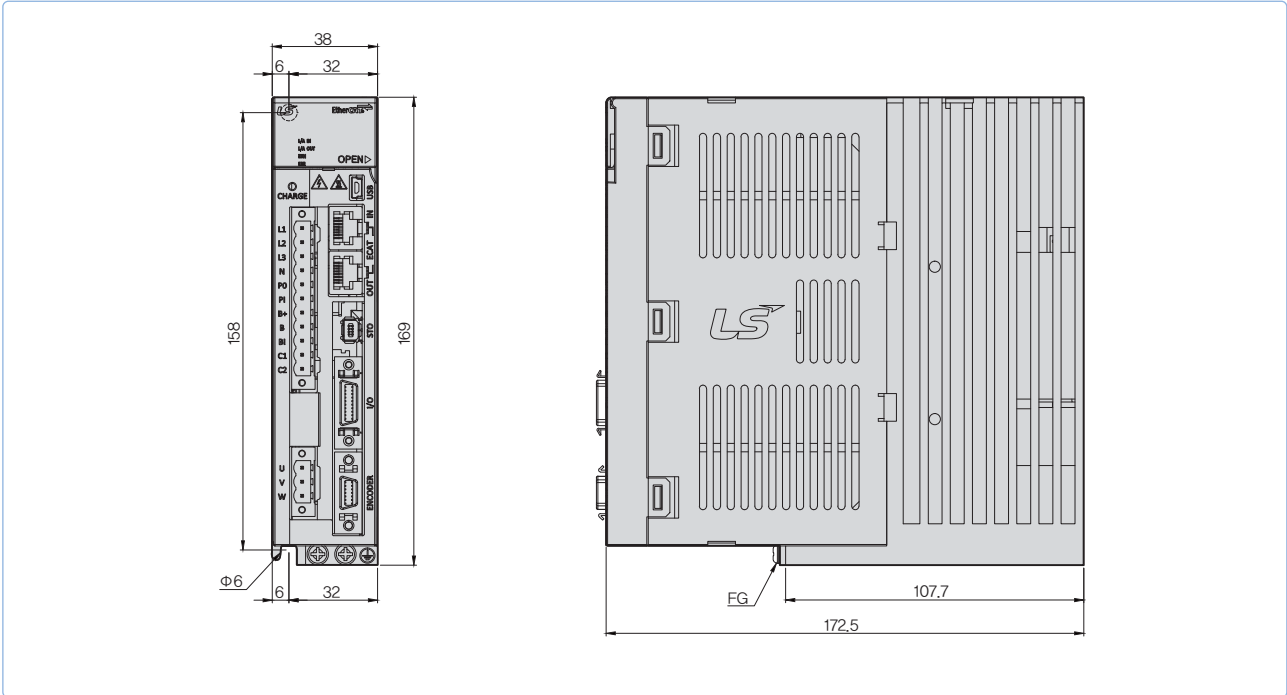


## XDL-L7NHB Drive

Item		Type Name	L7NHB010U	L7NHB020U	L7NHB035U	L7NHB050U	L7NHB075U	L7NHB150U
Input Power	Main Power Supply	3 Phase AC380~480[V](-15 ~ +10[%]), 50 ~ 60[Hz]						
	Control Power Supply	Single Phase AC380 ~ 480[V](-15 ~ +10[%]), 50 ~ 60[Hz]						
Rated Current[A]			3.7	8	10.1	17.5	22.8	39
Peak Current[A]			11.1	24	30.3	47.25	57	97.5
Encoder Type			Quadrature(Incremental) BiSS-B, BiSS-C(Absolute, Incremental) Tamagawa Serial(Absolute, Incremental) EnDat 2.2 Sinusoidal Analog Hall					
Control Performance	Speed Control Range		Maximum 1: 5000					
	Frequency Response		Maximum 1[kHz] or above(When the 19-bit Serial Encoder is applied)					
	Speed Variation Ratio		$\pm 0.01[\%]$ or lower(When the load changes between 0 and 100%) $\pm 0.1[\%]$ or less(Temperature of 25°C[ $\pm 10$ ])					
	Torque Control Repetition Accuracy		Within $\pm 1\%$					
EtherCAT Communication Specifications	Communication Standard		FoE (Firmware download) EoE (Parameter setting by UDP, Tuning, Secondary function, Parameter copy) CoE (IEC 61158 Type12, IEC 61800-7 CIA 402 Drive profile)					
	Physical Layer		100BASE-TX(IEEE802.3)					
	Connector		RJ45 x 2					
	Communication distance		Within connection between nodes 100[m]					
	DC(Distributed Clock)		By DC mode synchronism. minimum DC cycle: 250[us]					
	LED Display		LinkAct IN, LinkAct OUT, RUN, ERR					
	Cia402 Drive Profile		Profile Position Mode Profile Velocity Mode Profile Torque Mode Cyclic Synchronous Position Mode Cyclic Synchronous Velocity Mode Cyclic Synchronous Torque Mode Homing Mode					
Digital Input/Output	Digital Input		Input Voltage range : DC 12[V] ~ DC 24[V] Total 8 input channels (allocable) Above 12 functions can be used selectively for assignment. (*POT, *NOT, *HOME, *STOP, *PCON, *GAIN2, *P_CL, *N_CL, PROBE1, PROBE2, EMG, A_RST) *Basic allocation signal					
	Digital Output		Service rating: DC 24[V] $\pm 10\%$ , 120[mA] Total 4 input channels (allocable) Above 11 functions can be used selectively for assignment. (*BRAKE $\pm$ , *ALARM $\pm$ , *READY $\pm$ , *ZSPD $\pm$ , INPOS $\pm$ , TLMT $\pm$ , VLMT $\pm$ , INSPD $\pm$ , WARN $\pm$ , TGON $\pm$ , INPOS $\pm$ ) *Basic allocation signal					
Safety Function			2 Input Channels (STO1, STO2), 1 Output Channels (EDM $\pm$ )					
USB Communication	Function		Firmware download, Parameter setting, Tuning, Secondary function, Parameter copy					
	Communication Standard		USB 2.0 Full Speed (applies standard)					
	Connect		PC or USB storing medium					
Internal Function	Dynamic Braking		Standard built-in brake (activated when the servo alarm goes off or when the servo is off).					
	Regenerative Braking		Both default built-in and external installation possible					External installation Possible
	Display Function		7 segments(5DIGIT)					
	Self-setting Function		The [MODE] key changes the content displayed in 7 segments					
	Additional Function		Auto gain tuning function					
Protection Function	Protection Function		Overcurrent, overload, overvoltage, insufficient voltage, main power input problem, control power input problem, overspeed, motor cable, overheat(power module overheat, abnormal drive operation's temp), encoder problem, over-regenerative, sensor problem, communication problem					
	Temperature		0 ~ +50[°C] / -20~ +70[°C]					
Environment	Humidity		Below 90[%]RH(avoid dew-condensation)					
	Environment		Indoor, Avoid corrosive, inflammable gas or liquid, and electrically conductive dust.					

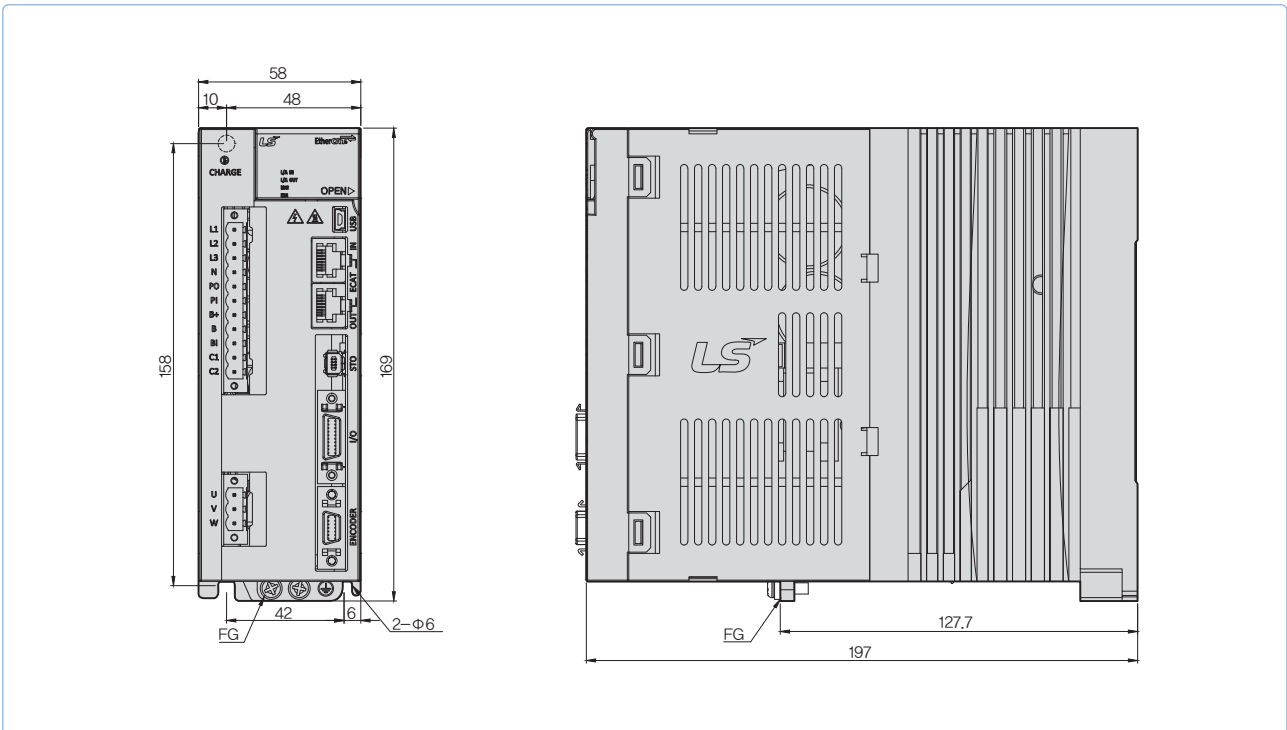
### XDL-L7NHA001U ~ XDL-L7NHA004U [Weight : 1.0kg]

\*Unit [mm]



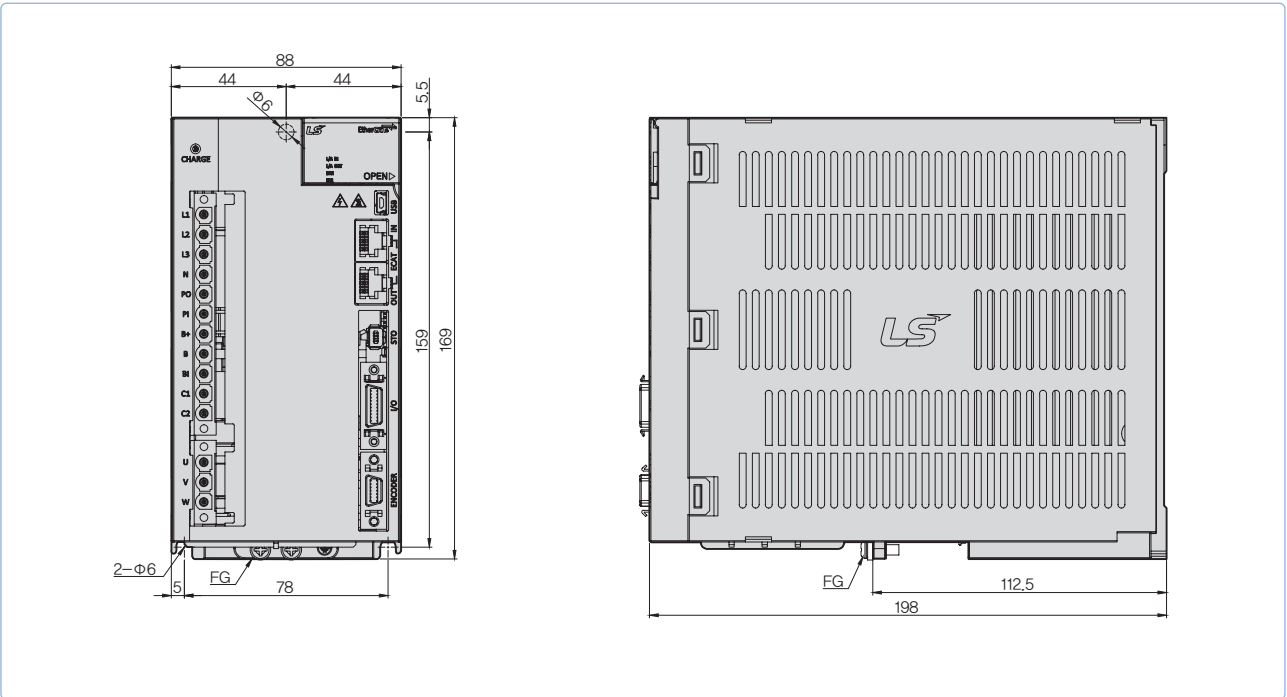
### XDL-L7NHA008U / XDL-L7NHA010U [Weight : 1.5kg (Fan-Cooling included)]

\*Unit [mm]



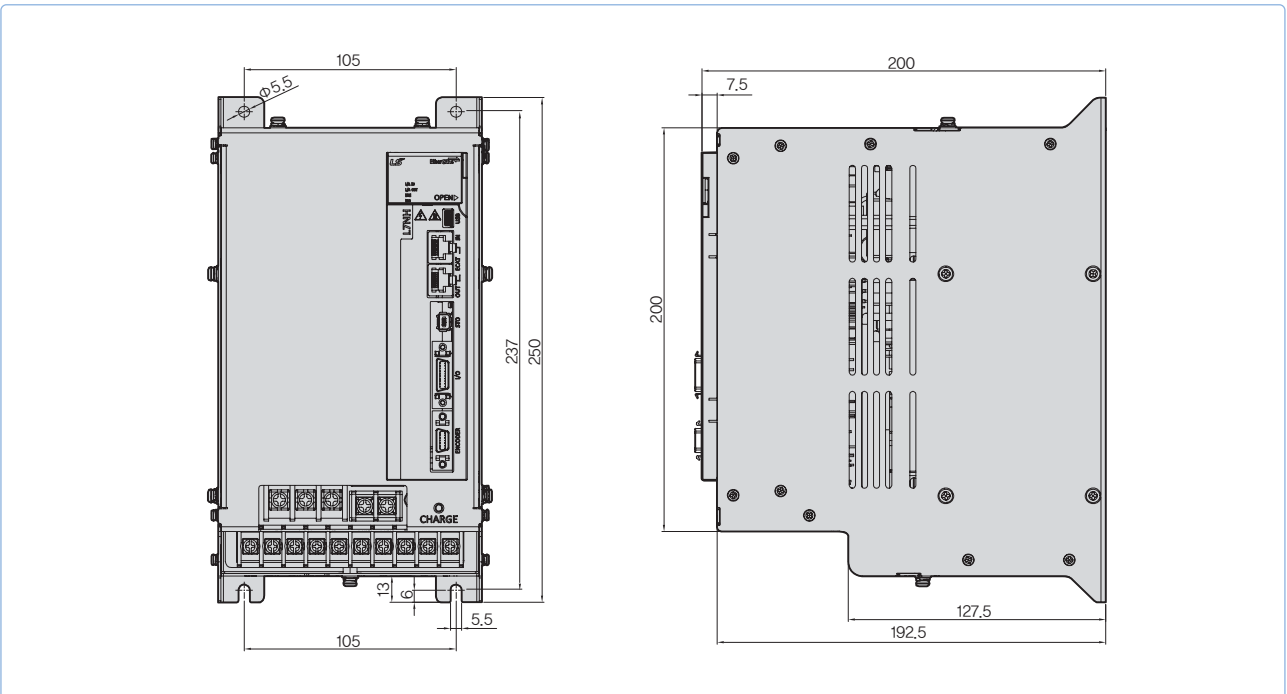
XDL-L7NHA020U / XDL-L7NHA035U[Weight : 2.5kg(Fan-Cooling included)]

\*Unit [mm]



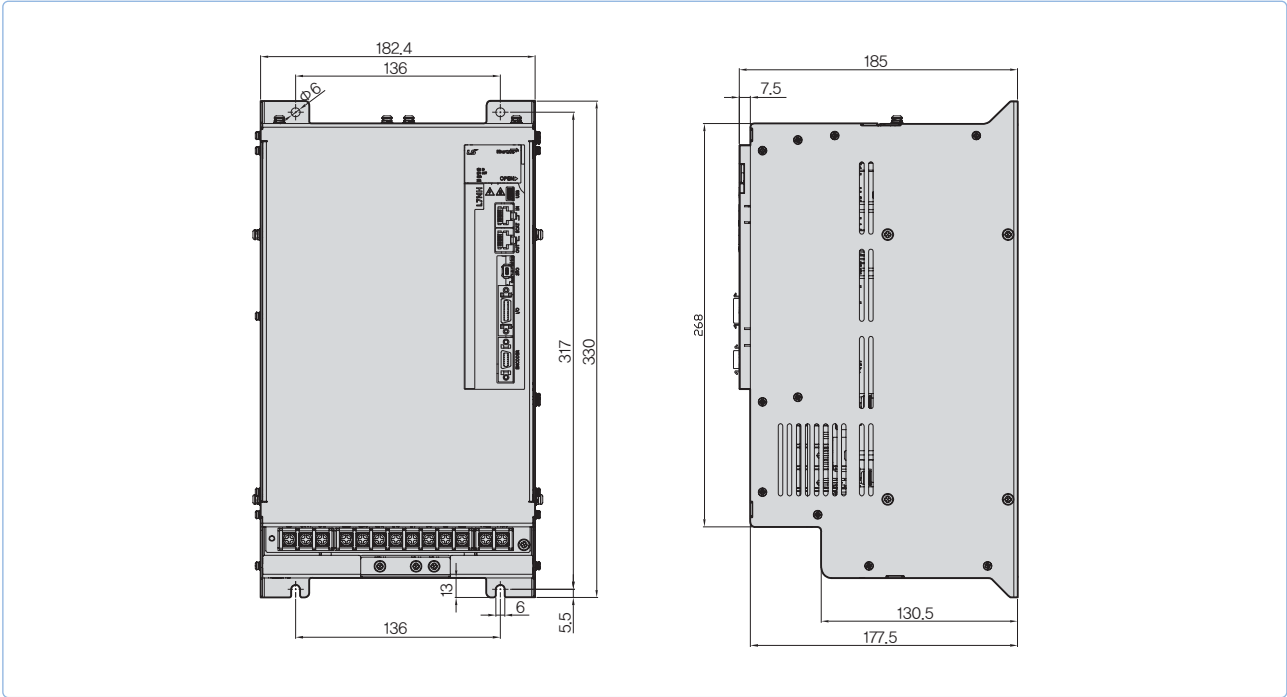
XDL-L7NHA050U[Weight : 5.5kg(Fan-Cooling included)]

\*Unit [mm]



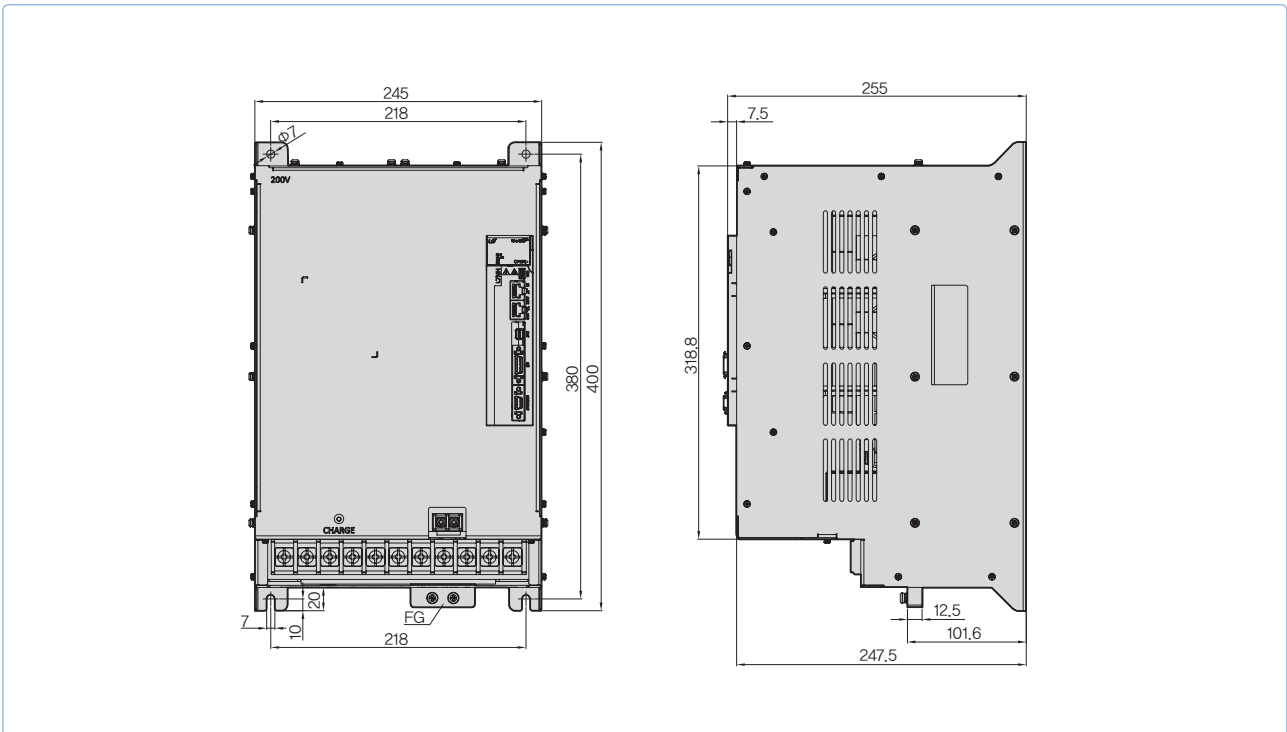
XDL-L7NHA075U [Weight : 8.5kg(Fan-Cooling included)]

\*Unit [mm]



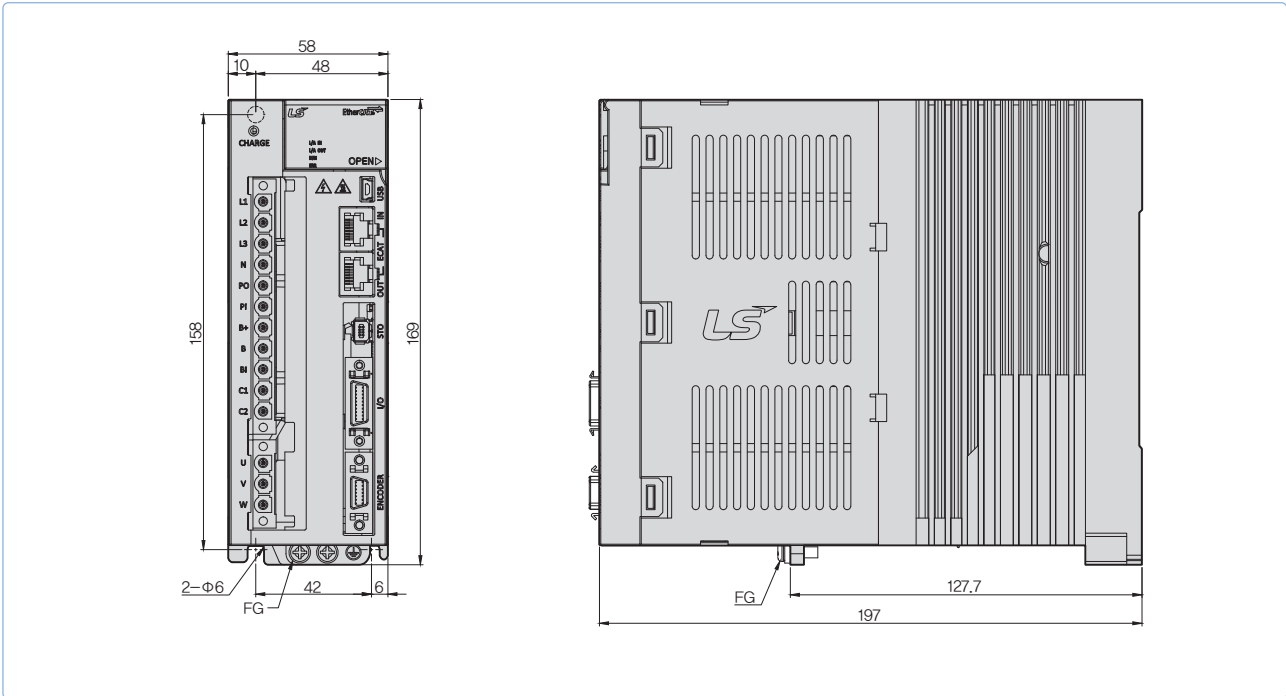
XDL-L7NHA150U [Weight : 16.2kg(Fan-Cooling included)]

\*Unit [mm]



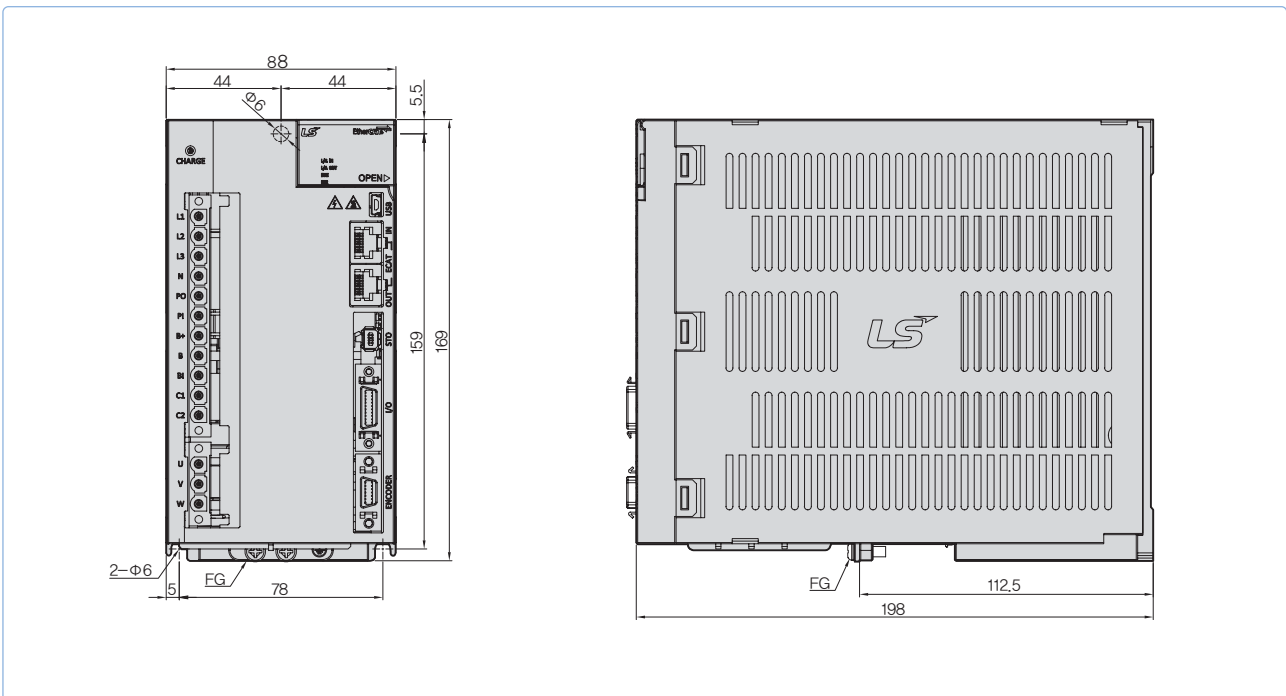
XDL-L7NHB010U [Weight : 1.5kg(Fan-Cooling included)]

\*Unit [mm]



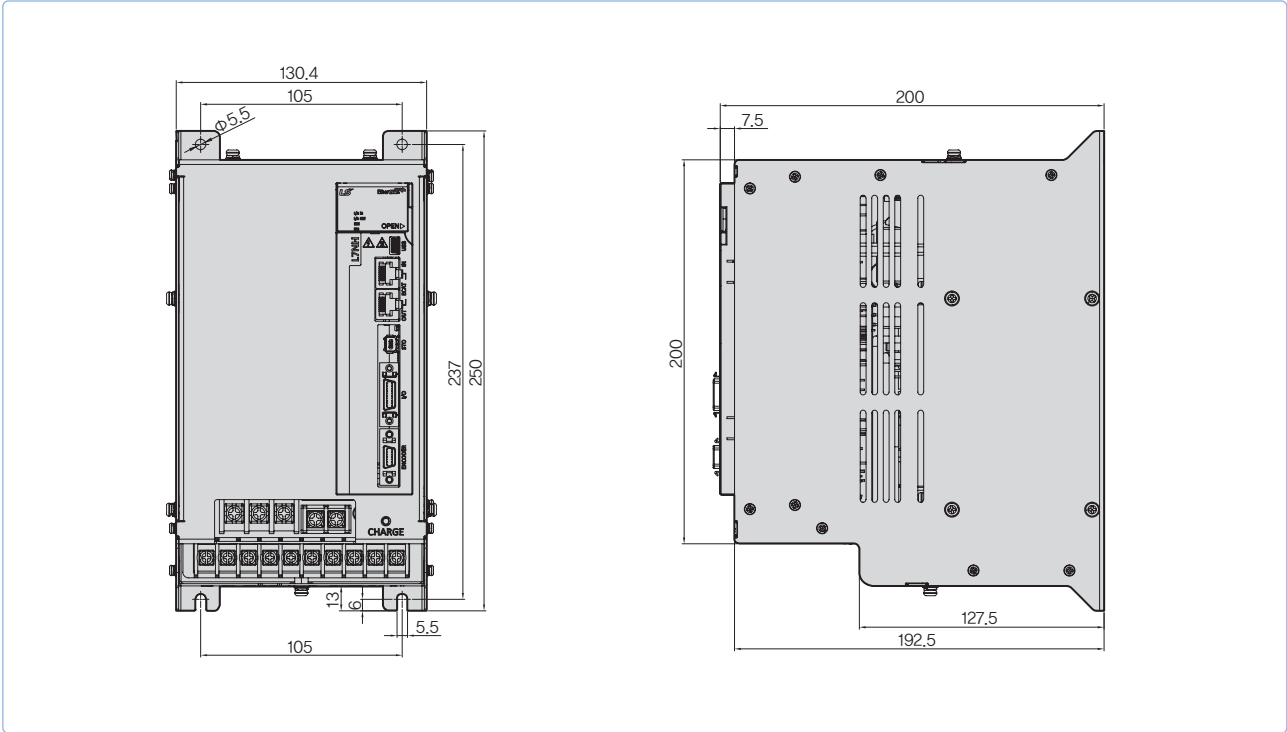
XDL-L7NHB020U / XDL-L7NHB035U [Weight : 2.5kg(Fan-Cooling included)]

\*Unit [mm]



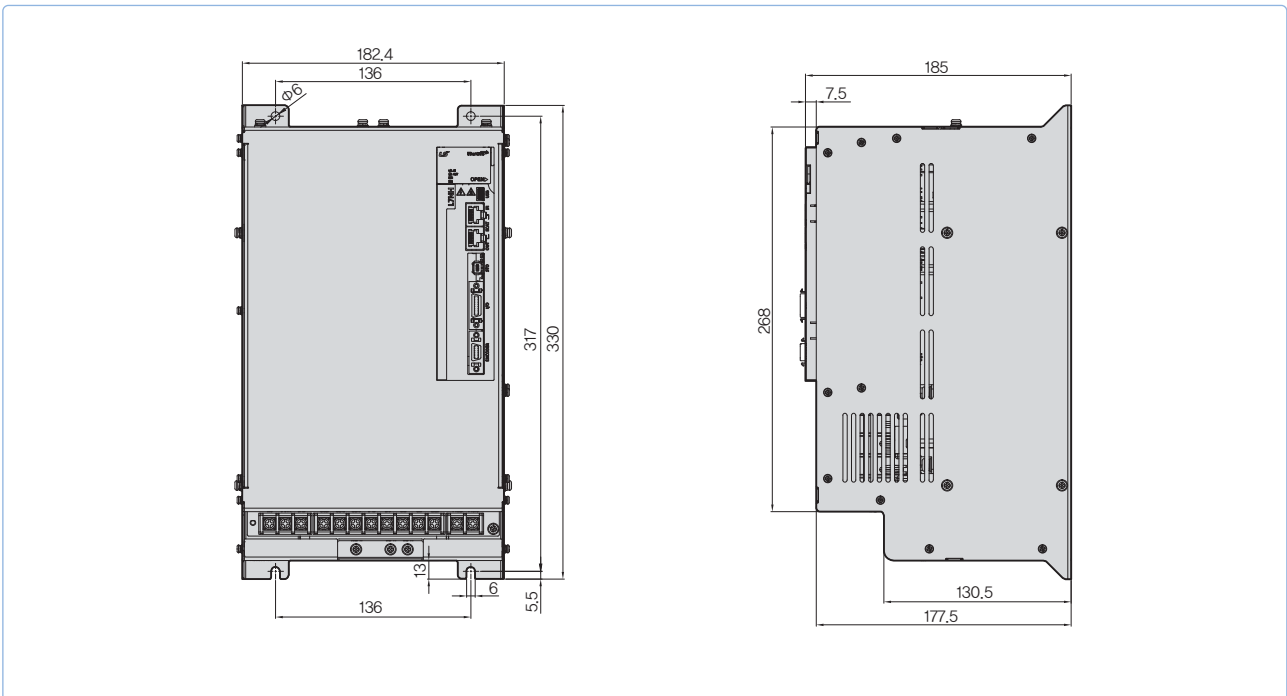
### XDL-L7NHB050U[Weight : 5.5kg(Fan-Cooling included)]

\*Unit [mm]



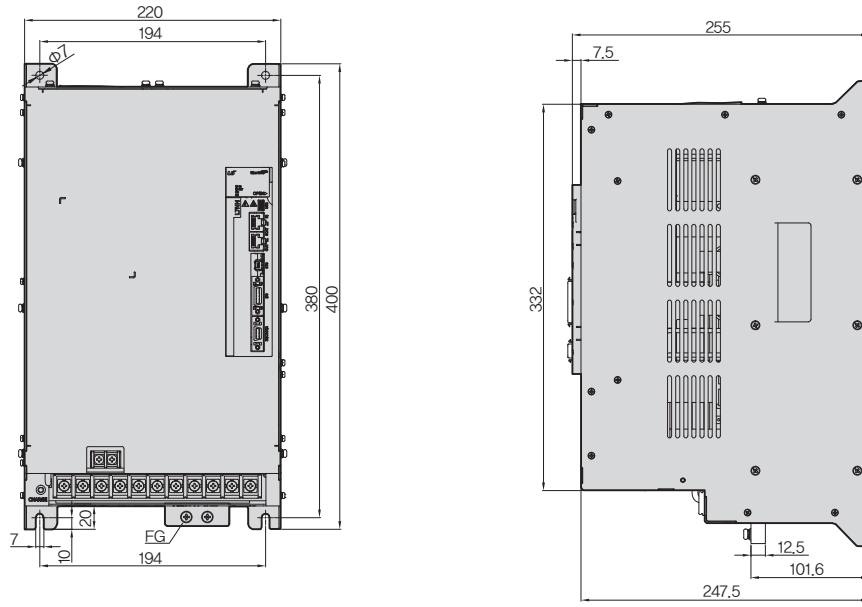
### XDL-L7NHB075U[Weight : 8.5kg(Fan-Cooling included)]

\*Unit [mm]



XDL-L7NHB150U[Weight : 15.5kg(Fan-Cooling included)]

\*Unit [mm]



## XDL-L7P Series



### Servo Drive Designation

<b>XDL - L7</b>	<b>P</b>	<b>A</b>	<b>004</b>	<b>B</b>	<b>AA</b>
<b>Model Name</b>	<b>Communication</b>	<b>Input Power Supply</b>	<b>Capacity</b>	<b>Encoder Type</b>	<b>Option</b>
XDL Series	Standard I/O & Index Type	A:200VAC B:400VAC	001:100W 002:200W 004:400W 008:750W 010:1.0kW 020:2.0kW 035:3.5kW 050:5.0kW 075:7.5kW 150:15kW	U:Universal	Exclusive Option Code



## Indexer Function Type **XDL-L7P**

### Providing Program Function built-in single axis position determination module

- Supporting position control mode by pulse input
- Position control mode
- Possible to use without upper controller
- Modbus RTU Protocol (RS-422)

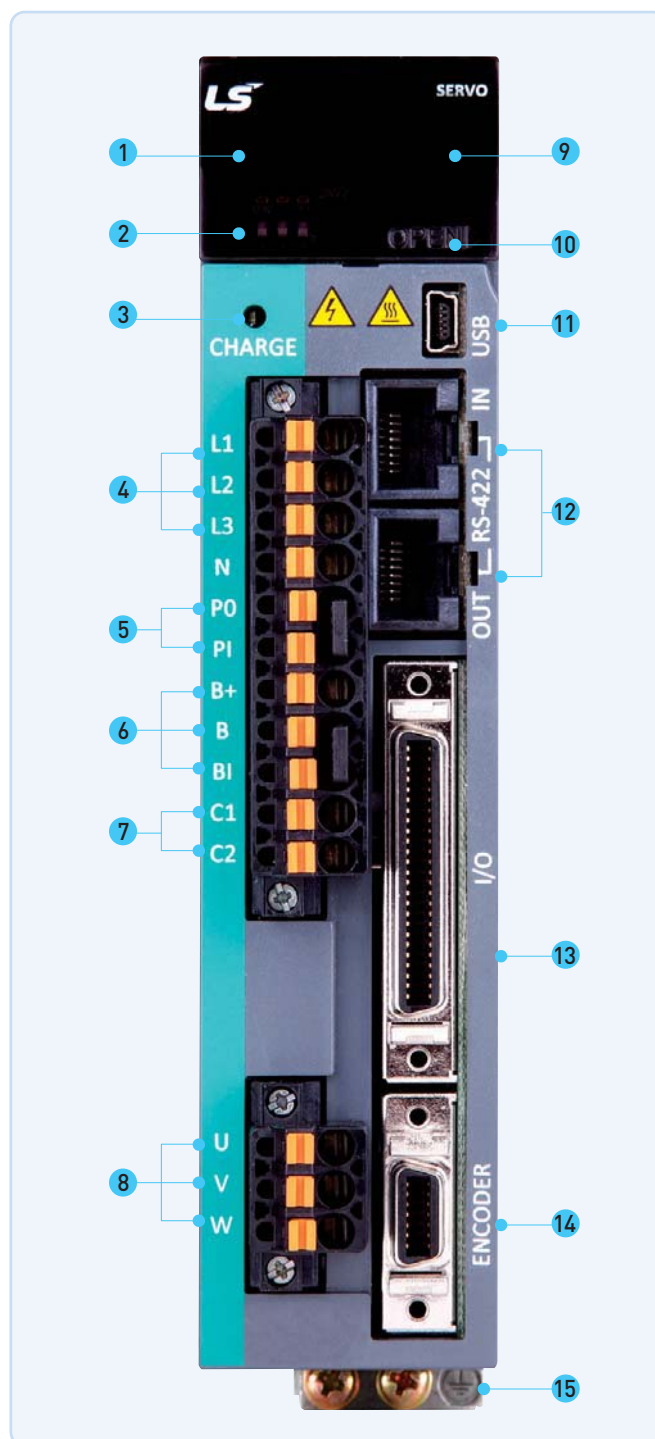
### Support various motor and Encoder drive

- Supporting Rotary, DD and Motor drive (supporting 3rd party motor)
- Quadrature, BiSS-C, Tamagawa serial abs, EnDat 2.2, Resolver

### Improved Control Performance

- Improved Control bandwidth
- Providing 4-step Notch-Filter
- Vibration control by Real-time FET
- Real-time gain tuning function

- 1 Display
- 2 Status LED
- 3 Charge Lamp
- 4 Main Power Connector (L1, L2, L3)
- 5 DC Reactor Connector(P0, PI) Short-Circuit When Not used
- 6 Regenerative Resistor Connector (B+, B, BI)
  - Short-Circuit B, BI terminals when standard type
  - Use B+, B terminals when using external resistor
- 7 Control Power connector (C1, C2)
- 8 Motor power connector(U, V, W)
- 9 Connector for analogue monitor
- 10 Switch for nod address setting
- 11 USB connector (USB)
- 12 RS-422 communication connector (CN3, CN4)
- 13 Control signal connector (I/O)
- 14 Encoder Connector (ENCODER)
- 15 Ground



## XDL-L7PA Incremental Type

Rated Speed (rpm)	Maximum Speed (rpm)	Flange Size	Applicable Motor	Applicable Drive	Standard Encoder Type	Encoder Cable	Power Cable									
					Quadrature Type	INC	For power	Power + Brake	Brake							
3,000	5,000	□40	SAR3A	L7PA001U	*2,048 P/R	XLCS-E□□□AS	XLCS-P□□□GS	-	XLCS-P□□□KB							
		□40	SAR5A	L7PA001U												
		□40	SA01A <sup>Note1)</sup>	L7PA001U												
		□40	SA015A	L7PA004U												
		□60	SB01A	L7PA002U												
		□60	SB02A	L7PA002U												
		□60	SB04A	L7PA004U												
		□80	SC04A	L7PA004U												
		□80	SC06A	L7PA008U												
		□80	SC08A	L7PA008U												
		□80	SC10A	L7PA010U												
		□130	SE09A	L7PA008U												
		□130	SE15A	L7PA020U												
		□130	SE22A	L7PA020U												
		□180	SF30A	L7PA035U												
		□180	SF50A	L7PA050U												
2,000	3,000	□80	SC03D	L7PA004U	*3,000 P/R	XLCS-E□□□AS	XLCS-P□□□GS	-	XLCS-P□□□KB							
		□80	SC05D	L7PA008U												
		□80	SC06D	L7PA008U												
		□80	SC07D	L7PA008U												
		□130	SE06D	L7PA008U												
		□130	SE11D	L7PA010U												
		□130	SE16D	L7PA020U												
		□130	SE22D	L7PA020U												
		□180	SF22D	L7PA020U												
		□180	LF35D	L7PA035U												
		□180	SF55D	L7PA050U												
		1,500	2,500	□180						SF75D	L7PA075U	*3,000 P/R	XLCS-E□□□BS	XLCS-P□□□HS	XLCS-P□□□NB	-
				□220						SG22D	L7PA020U					
				□220						LG35D	L7PA035U					
				□220						SG55D	L7PA050U					
				□220						SG75D	L7PA075U					
□220	SG110D			L7PA150U												
□130	SE05G			L7PA008U												
□130	SE09G			L7PA010U												
□130	SE13G			L7PA020U												
□130	SE17G			L7PA020U												
□180	SF20G			L7PA035U												
□180	SF44G			L7PA050U												
□180	SF60G			L7PA075U												
□220	SF75G			L7PA150U												
□180	LF30G			L7PA035U												
□220	SG20G			L7PA020U												
1,000	2,000	□130	SE03M	L7PA004U	*3,000 P/R	XLCS-E□□□BS	XLCS-P□□□HS	XLCS-P□□□NB	-							
		□130	SE06M	L7PA008U												
		□130	SE09M	L7PA010U												
		□130	SE12M	L7PA020U												
		□180	SF12M	L7PA020U												
		□180	SF20M	L7PA035U												
		□180	LF30M	L7PA035U												
		□180	SF44M	L7PA050U												
		□220	SG12M	L7PA020U												
		□220	SG20M	L7PA035U												
		□220	LG30M	L7PA035U												
		□220	SG44M	L7PA050U												
		□220	SG60M	L7PA075U												
		3,000	3,500	□60						HB01A	L7PA002U	*1,048 P/R	XLCS-E□□□AS	XLCS-P□□□GS	-	-
				□60						HB02A	L7PA002U					
				□60						HB04A	L7PA004U					
□130	HE09A			L7PA008U												
□130	HE15A			L7PA020U												
□130	HE30A			L7PA050U												
3,000	3,500			□60	HB01A	L7PA002U	*2,048 P/R	XLCS-E□□□BS	XLCS-P□□□HS	-	-					
				□60	HB02A	L7PA002U										
				□60	HB04A	L7PA004U										
				□130	HE09A	L7PA008U										
				□130	HE15A	L7PA020U										
				□130	HE30A	L7PA050U										

Note1) Motor name SA01A combines with the below drive and encoder cable.

Incremental: XDL-L7SA001A, XLCS-E□□□AS, Serial: XDL-L7SA001B, XLCS-E□□□CS, Absolute: XDL-L7SA001B, XLCS-E□□□CS1

### XDL-L7PA Serial Type

Rated Speed (rpm)	Maximum Speed (rpm)	Flange Size	Applicable Motor	Applicable Drive	Standard Encoder Type	Encoder Cable		Power Cable					
					Serial Type	Serial	Abs	For power	Power + Brake	Brake			
3,000	5,000	□40	FALR5A	L7PA001U	* 18Bit Serial Absolute	XLCS-E□□□ES	XLCS-E□□□ES1	XLCS-P□□□LS	-	XLCS-P□□□QS			
		□40	FAL01A	L7PA001U									
		□40	FAL015A	L7PA004U							XLCS-P□□□LS	-	XLCS-P□□□QS
		□60	FBL01A	L7PA001U									
		□60	FBL02A	L7PA002U									
		□60	FBL04A	L7PA004U									
		□80	FCL04A	L7PA004U									
		□80	FCL06A	L7PA008U									
		□80	FCL08A	L7PA008U									
		□80	FCL10A	L7PA010U									
		□60	FB01A	L7PA001U									
		□60	FB02A	L7PA002U									
		□60	FB04A	L7PA004U									
		□80	FC04A	L7PA004U									
		□80	FC06A	L7PA008U									
		□80	FC08A	L7PA008U									
		□80	FC10A	L7PA010U									
		□130	FE09A	L7PA010U									
		□130	FE15A	L7PA020U									
		□130	FE22A	L7PA020U									
□130	FE30A	L7PA035U											
□180	FF30A	L7PA035U											
□180	FF50A	L7PA050U											
2,000	3,000	□80	FCL03D	L7PA004U	* 19Bit Serial Absolute	XLCS-E□□□ES	XLCS-E□□□ES1	XLCS-P□□□LS	-	XLCS-P□□□QS			
		□80	FCL05D	L7PA008U									
		□80	FCL06D	L7PA008U									
		□80	FCL07D	L7PA008U									
		□80	FC03D	L7PA004U									
		□80	FC05D	L7PA008U									
		□80	FC06D	L7PA008U									
		□80	FC07D	L7PA008U									
		□130	FE06D	L7PA008U									
		□130	FE11D	L7PA010U									
	□130	FE16D	L7PA020U										
	□130	FE22D	L7PA020U										
	□180	FF22D	L7PA020U										
	□180	FF35D	L7PA035U										
	□180	FF55D	L7PA050U										
	2,500	□180	FF75D	L7PA075U									
	3,000	□220	FG22D	L7PA020U									
		□220	FG35D	L7PA035U									
		□220	FG55D	L7PA050U									
		□220	FG75D	L7PA075U									
2,500	□220	FG110D	L7PA150U										
	□220	FG150G	L7PA150U										
1,500	3,000	□130	FE05G	L7PA008U	XLCS-E□□□DS	XLCS-E□□□DS1	XLCS-P□□□HS	XLCS-P□□□NB	-	-			
		□130	FE09G	L7PA010U									
		□130	FE13G	L7PA020U									
		□130	FE17G	L7PA020U									
	2,700	□180	FF20G	L7PA020U									
		□180	FF30G	L7PA035U									
	3,000	□180	FF44G	L7PA050U									
	2,500	□180	FF60G	L7PA075U									
	2,000	□180	FF75G	L7PA075U									
	3,000	□220	FG20G	L7PA020U									
		□220	FG30G	L7PA035U									
	3,000	□220	FG44G	L7PA050U									
		□220	FG60G	L7PA075U									
		□220	FG85G	L7PA150U									
□220		FG110G	L7PA150U										
1,000	2,000	□130	FE03M	L7PA004U	XLCS-P□□□HS	XLCS-P□□□NB	-	-	-				
		□130	FE06M	L7PA008U									
		□130	FE09M	L7PA010U									
		□130	FE12M	L7PA020U									
	1,700	□180	FF12M	L7PA020U									
		□180	FF20M	L7PA020U									
	2,000	□180	FF30M	L7PA035U									
		□180	FF44M	L7PA050U									
	2,000	□220	FG12M	L7PA020U									
		□220	FG20M	L7PA020U									
1,700	□220	FG30M	L7PA035U										
	□220	FF44M	L7PA050U										
2,000	□220	FF60M	L7PA075U										
	□220	FF60M	L7PA075U										

Servo Drive

## XDL-L7PB Incremental Type

Rated Speed (rpm)	Maximum Speed (rpm)	Flange Size	Applicable Motor	Applicable Drive	Standard Encoder Type	Encoder Cable	Power Cable				
					Quadrature Type	INC	For power	Power + Brake	Brake		
3,000	5,000	□ 130	SEP09A	L7PB010U	*3,000 P/R	XLCS-E□□□BS	XLCF-P□□□HS	XLCF-P□□□NB	-		
		□ 130	SEP15A	L7PB020U							
		□ 130	SEP22A	L7PB020U							
		□ 130	SEP30A	L7PB035U							
		□ 180	SFP30A	L7PB035U							
		□ 180	SFP50A	L7PB050U							
2,000	3,000	□ 130	SEP06D	L7PB010U			XLCF-P□□□HS	XLCF-P□□□NB			
		□ 130	SEP11D	L7PB010U							
		□ 130	SEP16D	L7PB020U							
		□ 130	SEP22D	L7PB020U							
		□ 180	SFP22D	L7PB020U							
		□ 180	SFP35D	L7PB035U							
		□ 180	SFP55D	L7PB050U							
		□ 180	SFP75D	L7PB075U							
		□ 220	SGP22D	L7PB020U							
		□ 220	SGP35D	L7PB035U							
	□ 220	SGP55D	L7PB050U								
	2,500	-	□ 220	SGP75D			L7PB075U	XLCF-P□□□IS		-	XLCF-P□□□SB
			□ 220	SGP110D			L7PB150U				
			□ 220	SGP22D			L7PB020U				
□ 220			SGP35D	L7PB035U							
1,500	3,000	□ 130	SEP05G	L7PB010U			XLCF-P□□□HS	XLCF-P□□□NB			
		□ 130	SEP09G	L7PB010U							
		□ 130	SEP13G	L7PB020U							
		□ 130	SEP17G	L7PB020U							
		□ 180	SFP20G	L7PB020U							
		□ 180	SFP30G	L7PB050U							
		□ 180	SFP44G	L7PB050U							
		□ 180	SFP60G	L7PB075U							
	2,500	-	□ 180	SFP75G			L7PB150U	XLCF-P□□□IS		-	XLCF-P□□□SB
			□ 220	SGP20G	L7PB020U						
			□ 220	SGP30G	L7PB050U						
			□ 220	SGP44G	L7PB050U						
	3,000	-	□ 220	SGP60G	L7PB075U	XLCF-P□□□JS	-	XLCF-P□□□SB			
			□ 220	SGP85G	L7PB150U						
			□ 220	SGP110G	L7PB150U						
			□ 220	SGP150G	L7PB150U						
1,000	2,000	□ 130	SEP03M	L7PB010U	XLCF-P□□□HS	XLCF-P□□□NB					
		□ 130	SEP06M	L7PB010U							
		□ 130	SEP09M	L7PB010U							
		□ 130	SEP12M	L7PB020U							
		□ 180	SFP12M	L7PB020U							
		□ 180	SFP20M	L7PB020U							
	1,700	-	□ 180	SFP30M	L7PB050U	XLCF-P□□□JS	XLCF-P□□□LB				
			□ 180	SFP44M	L7PB050U						
	2,000	-	□ 220	SGP12M	L7PB020U	XLCF-P□□□IS	-	XLCF-P□□□SB			
			□ 220	SGP20M	L7PB020U						
			□ 220	SGP30M	L7PB050U						
			□ 220	SGP44M	L7PB050U						
			□ 220	SGP60M	L7PB150U						
			□ 220	SGP85M	L7PB150U						

### XDL-L7PB Serial Type

Rated Speed (rpm)	Maximum Speed (rpm)	Flange Size	Applicable Motor	Applicable Drive	Standard Encoder Type		Encoder Cable		Power Cable					
					Serial Type	Serial	Abs	For power	Power + Brake	Brake				
3,000	5,000	□ 130	FEP09A	L7PB010U	* 19Bit Serial Absolute	XLCS-E□□□DS	XLCS-E□□□DS1	-	-	-	-			
		□ 130	FEP15A	L7PB020U										
		□ 130	FEP22A	L7PB035U										
		□ 130	FEP30A	L7PB035U										
		□ 180	FFP30A	L7PB035U										
		□ 180	FFP50A	L7PB050U										
2,000	3,000	□ 130	FEP06D	L7PB010U										
		□ 130	FEP11D	L7PB010U										
		□ 130	FEP16D	L7PB020U										
		□ 130	FEP22D	L7PB020U										
		□ 180	FFP22D	L7PB020U										
		□ 180	FFP35D	L7PB035U										
	2,500	2,500	□ 180	FFP55D								L7PB050U		
			□ 180	FFP75D								L7PB075U		
			□ 220	FGP22D								L7PB020U		
			□ 220	FGP35D								L7PB035U		
			□ 220	FGP55D								L7PB050U		
			□ 220	FGP75D								L7PB075U		
1,500	3,000	□ 130	FEP05G	L7PB010U										
		□ 130	FEP09G	L7PB010U										
		□ 130	FEP13G	L7PB020U										
		□ 130	FEP17G	L7PB020U										
		□ 180	FFP20G	L7PB020U										
	2,700	2,700	□ 180	FFP30G								L7PB035U		
			□ 180	FFP44G								L7PB050U		
			□ 180	FFP60G								L7PB075U		
			□ 180	FFP75G								L7PB075U		
			□ 220	FGP20G								L7PB020U		
			□ 220	FGP30G								L7PB035U		
			□ 220	FGP44G								L7PB050U		
			2,500	2,500								□ 220	FGP60G	L7PB075U
												□ 220	FGP85G	L7PB150U
			2,000	2,000								□ 220	FGP110G	L7PB150U
												□ 220	FGP150G	L7PB150U
			1,000	2,000								□ 130	FEP03M	L7PB010U
												□ 130	FEP06M	L7PB010U
□ 130	FEP09M	L7PB010U												
□ 130	FEP12M	L7PB020U												
□ 180	FFP12M	L7PB020U												
□ 180	FFP20M	L7PB020U												
1,700	1,700	□ 180		FFP30M								L7PB035U		
		□ 180		FFP44M								L7PB050U		
2,000	2,000	□ 220		FGP12M								L7PB020U		
		□ 220		FGP20M								L7PB020U		
1,700	1,700	□ 220		FGP30M								L7PB035U		
		□ 220		FGP44M								L7PB050U		
2,000	2,000	□ 220		FGP60M								L7PB150U		
		□ 220		FGP60M								L7PB150U		

Servo Drive

## XDL-L7PA Drive

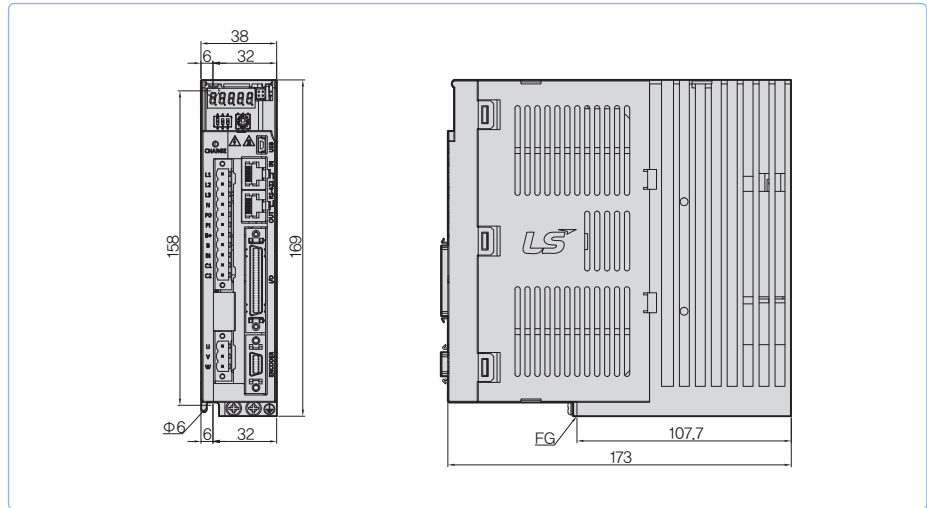
Item		Type Name	L7PA001U	L7PA002U	L7PA004U	L7PA008U	L7PA010U	L7PA020U	L7PA035U	L7PA050U	L7PA075U	L7PA150U
Input Power	Main Power Supply	3 Phase AC200 ~ 230[V](-15 ~ +10[%]), 50 ~ 60[Hz]										
	Control Power Supply	Single Phase AC200 ~ 230[V](-15 ~ +10[%]), 50 ~ 60[Hz]										
Rated Current[A]			1.4	1.7	3.0	5.2	6.75	13.5	16.7	32	39.4	76
Peak Current[A]			4.2	5.1	9.0	15.6	20.25	40.5	50.1	90.88	98.5	190
Encoder Type		Quadrature(Incremental) BiSS-B, BiSS-C(Absolute, Incremental) Tamagawa Serial(Absolute, Incremental) EnDat 2.2										
Control Performance	Speed Control Range	Maximum 1: 5000										
	Frequency Response	Maximum 1 [kHz] or above (When using 19bit Serial Encoder)										
	Speed Variation Ratio	±0.01 [%] or lower [when load changes between 0 and 100%] ±0.1[%] or lower [temperature 25 ±10°C]										
	Accel/Decel Time	Straight or S-curve acceleration/deceleration [0~10,000[ms], 0~1,000[ms] Unit configurable]										
	Input Frequency	1[Mpps], line drive / 200[kpps], Open Collector										
	Input Pulse Type	Symbol + Pulse Series, CW+CCW, A/B Phase										
RS422 Communication Specifications	Communication Specifications	ANSI/TIA/EIA-422 Standard Specifications										
	Communication Protocol	MODBUS-RTU										
	Connector	RJ45 x 2										
	Synchro Method	Asynchronous										
	Transmission Speed	9600 /19200/38400/57600 [bps] Can be configured at [0x3002]										
	Transmission Distance	Maximum 200 [m]										
	Power Consumption	100[mA]										
	Terminating Resistance	Dip S/W(On/Off), Built-In 120Ω										
Input/Output Signal	Digital Input	Input voltage range: DC 12[V] ~ DC 24[V] Total 16 input channel (allocatable) 32 function inputs can be selectively allocated (*SV_ON, *POT, *NOT, *A-RST, *START, *STOP, *REGT, *EMG, *HOME, *HSTART, *ISEL0, *ISEL1, *ISEL2, *ISEL3, *ISEL4, *ISEL5, PCON, GAIN2, P_CL, N_CL, MODE, PAUSE, ABSRQ, JSTART, JDIR, PCLR, AOV, SPD1/LVSF1, SPD2/LVSF2, SPD3, PROBE1, PROBE2) * Basic allocation signal.										
	Digital Output	Use rating: DC 24[V] ±10%, 120[mA] Total 8 input channel (allocatable) 19 function inputs can be selectively allocated (*ALARM±, *READY±, *BRAKE±, *INPOS1±, *ORG±, *EOS±, *TGON±, *TLMT±, VLMT±, INSPD±, ZSPD±, WARN±, INPOS2±, IOU0±, IOU1±, IOU2±, IOU3±, IOU4±, IOU5±) * Standard Allocation signal										
Analog Input/output	Analog input	Total 2 channels analog speed override input(-10[V] ~ +10[V]) analog torque command input(-10[V] ~ +10[V])										
	Analog output	Total 2 channels 15 function inputs can be selectively allocated										
USB Communication	Protection	Firmware download, parameter setting, tuning, auxiliary function, parameter copy										
	Communication Specifications	Complies with USB 2.0 Full Speed Specifications										
	Connection Device	PC or USB storage media										
Built-in functions	Dynamic Braking	Standard built-in(activated by servo alarm or servo OFF)										
	Regenerative Braking	Built-in, external brake attachable										
	Display	7 Segment(5 DIGIT)										
	Setting Function	Drive node address can be set using rotary switch										
	Additional Function	Gain tuning, alarm history, JOG operation, origin search										
	Protective Function	Excessive current, overload, excessive current limit, overheating, excessive voltage, low voltage, excessive speed, encoder fail, position following fail, current sensing fail										
Environment	Temperature	0 ~ 50[°C] / -20 ~ 65°C										
	Humidity	Below 90[%]RH[avoid dew-condensation]										
	Environment	Indoor, Avoid corrosive, inflammable gas or liquid, and electrically conductive dust.										

## XDL-L7PB Drive

Item		Type Name	L7PB010U	L7PB020U	L7PB035U	L7PB050U	L7PB075U	L7PB150U
Input Power	Main Power Supply	3 Phase AC380 ~480[V](-15 ~ +10[%]), 50 ~ 60[Hz]						
	Control Power Supply	Single Phase AC380 ~ 480[V](-15 ~ +10[%]), 50 ~ 60[Hz]						
Rated Current[A]			3.7	8	10.1	17.5	22.8	39
Peak Current[A]			11.1	24	30.3	47.25	57	97.5
Encoder Type		Universal Encoder Feedback Quadrature(Incremental) BiSS-B, BiSS-C(Absolute, Incremental) Tamagawa Serial(Absolute, Incremental) EnDat 2.2						
Control Performance	Speed Control Range	Maximum 1: 5000						
	Frequency Response	Maximum 1 [kHz] or above (When using 19bit Serial Encoder)						
	Speed Variation Ratio	±0.01 [%] or lower [when load changes between 0 and 100%] ±0.1[%] or lower [temperature 25 ±10°C]						
	Accel/Decel Time	Straight or S-curve acceleration/deceleration [0~10,000[ms], 0~1,000[ms] Unit configurable]						
	Input Frequency	1[Mpps], line drive / 200[kpps], Open Collector						
	Input Pulse Type	Symbol + Pulse Series, CW+CCW, A/B Phase						
RS422 Communication Specifications	Communication Specifications	ANSI/TIA/EIA-422 Standard Specifications						
	Communication Protocol	MODBUS-RTU						
	Connector	RJ45 x 2						
	Synchro Method	Asynchronous						
	Transmission Speed	9600 /19200/38400/57600 [bps] Can be configured at [0x3002]						
	Transmission Distance	Maximum 200 [m]						
	Power Consumption	100[mA]						
	Terminating Resistance	Dip S/W(On/Off), Built-In 120Ω						
Input/Output Signal	Digital Input	Input voltage range: DC 12[V] ~ DC 24[V] Total 16 input channel (allocatable) 30 function inputs can be selectively allocated (*SV_ON, *POT, *NOT, *A-RST, *START, *STOP, *REGT, *EMG, *HOME, *HSTART, *ISEL0, *ISEL1, *ISEL2, *ISEL3, *ISEL4, *ISEL5, PCON, GAIN2, P_CL, N_CL, PAUSE, ABSRQ, JSTART, JDIR, PCLR, SPD1/LVSF1, SPD2/LVSF2, SPD3, AOV, MODE, J 주) * 기본 할당 신호.						
	Digital Output	Use rating: DC 24[V] ±10%, 120[mA] Total 8 input channel (allocatable) 19 function inputs can be selectively allocated (*ALARM±, *READY±, *BRAKE±, *INPOS1±, *ORG±, *EOS±, *TGON±, *TLMT±, VLMT±, INSPD±, ZSPD±, WARN±, INPOS2±, IOUT0±, IOUT1±, IOUT2± IOUT3±, IOUT4±, IOUT5±) * Standard Allocation signal						
Analog Input/output	Analog input	Total 2 channels analog speed override input(-10[V] ~ +10[V]) analog torque command input(-10[V] ~ +10[V])						
	Analog output	Total 2 channels 15 function inputs can be selectively allocated						
USB Communication	Protection	Firmware download, parameter setting, tuning, auxiliary function,parameter copy						
	Communication Specifications	Complies with USB 2.0 Full Speed Specifications						
	Connection Device	PC or USB storage media						
Built-in functions	Dynamic Braking	Standard built-in(activated by servo alarm or servo OFF)						
	Regenerative Braking	Built-in, external brake attachable						
	Display	7 Segment(5 DIGIT)						
	Setting Function	Drive node address can be set using rotary switch						
	Additional Function	Gain tuning, alarm history, JOG operation, origin search						
	Protective Function	Excessive current, overload, excessive current limit, overheating, excessive voltage, low voltage, excessive speed, encoder fail, position following fail, current sensing fail						
Environment	Temperature	0 ~ +50[°C] / -20~ +70[°C]						
	Humidity	Below 90[%]RH(avoid dew-condensation)						
	Environment	Indoor, Avoid corrosive, inflammable gas or liquid, and electrically conductive dust.						

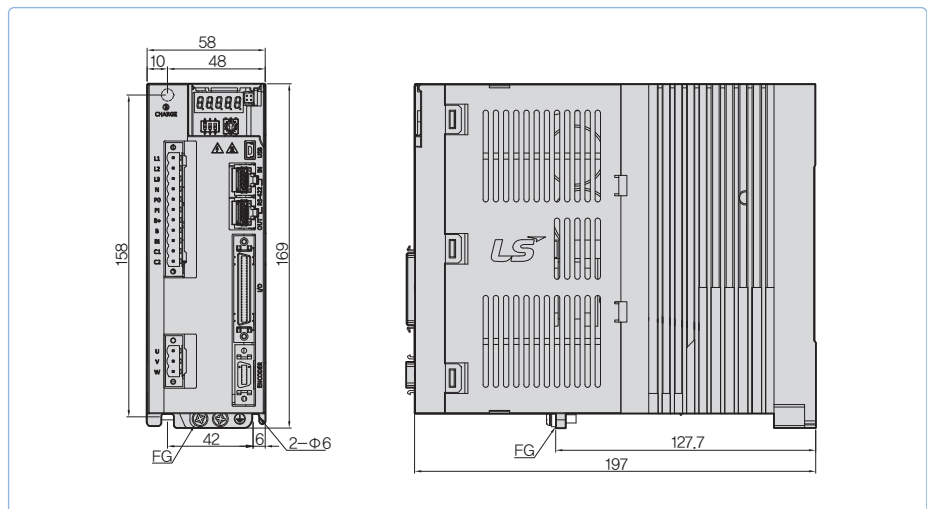
XDL-L7PA001U ~  
XDL-L7PA004U  
[Weight : 1.0kg  
(Fan-Cooling included)]

\*Unit [mm]



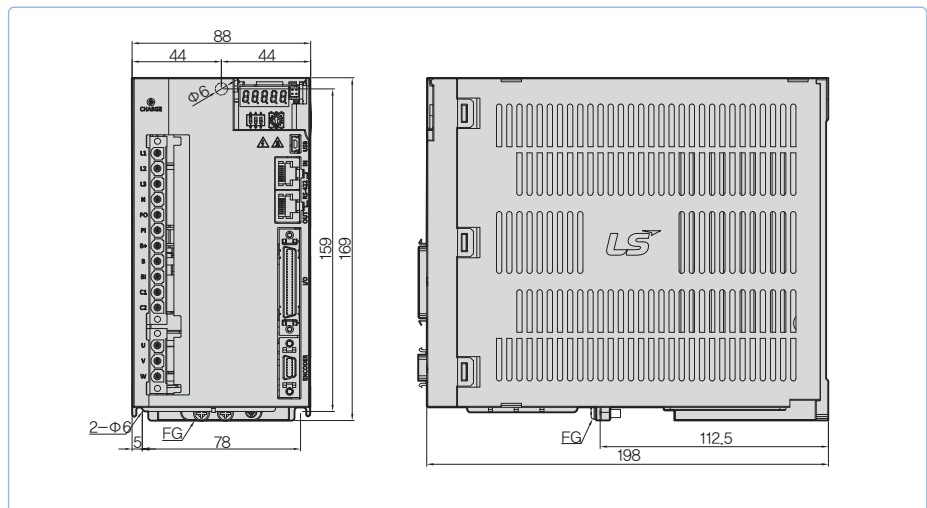
XDL-L7PA008U /  
XDL-L7PA010U  
[Weight : 1.5kg  
(Fan-Cooling included)]

\*Unit [mm]



XDL-L7PA020U /  
XDL-L7PA035U  
[Weight : 2.5kg  
(Fan-Cooling included)]

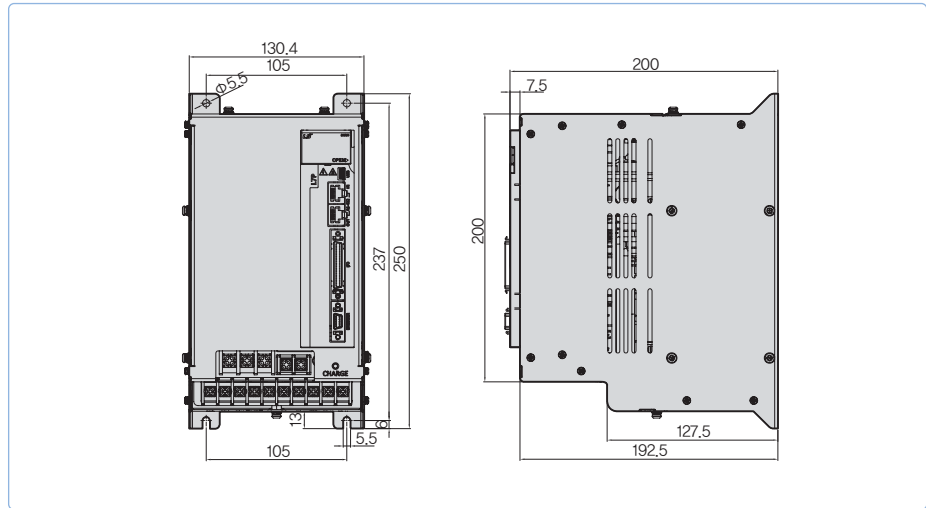
\*Unit [mm]





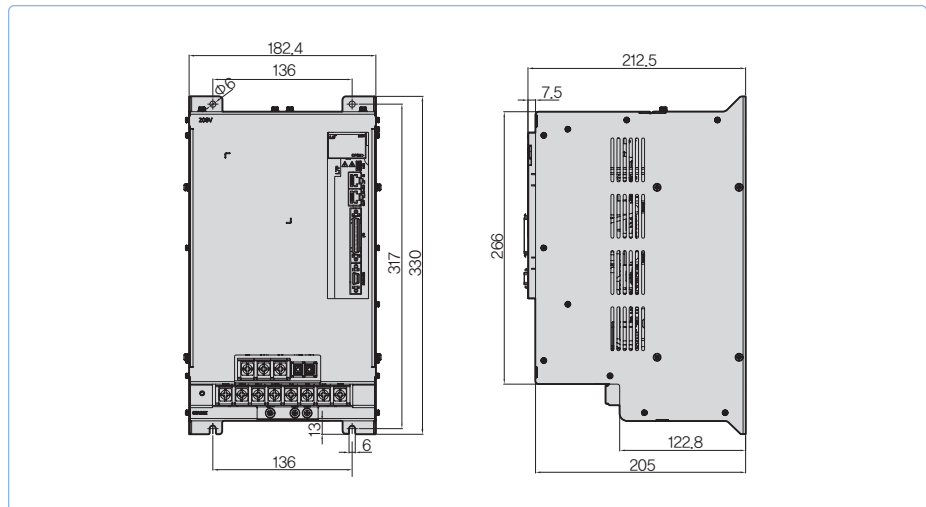
**XDL-L7PA050U**  
 [Weight : 5.5kg  
 (Fan-Cooling included)]

\*Unit [mm]



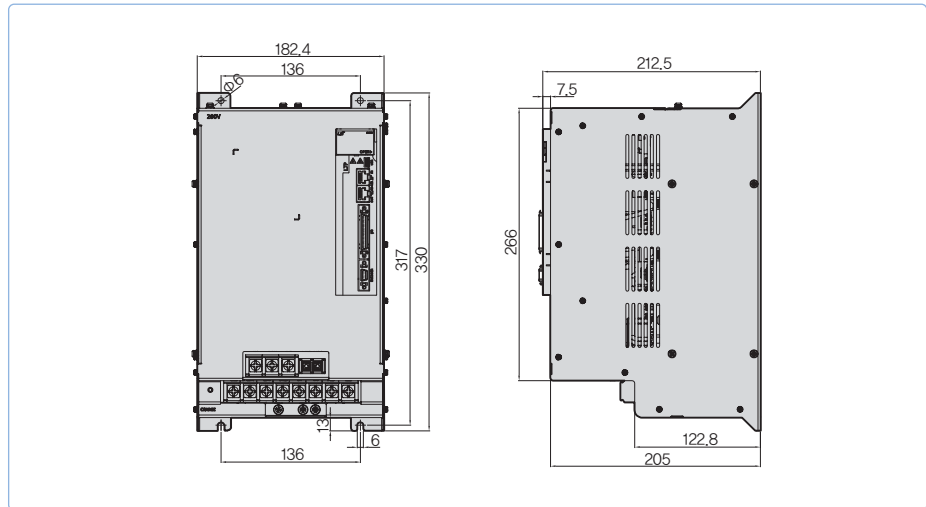
**XDL-L7PA075U**  
 [Weight : 8.5kg  
 (Fan-Cooling included)]

\*Unit [mm]



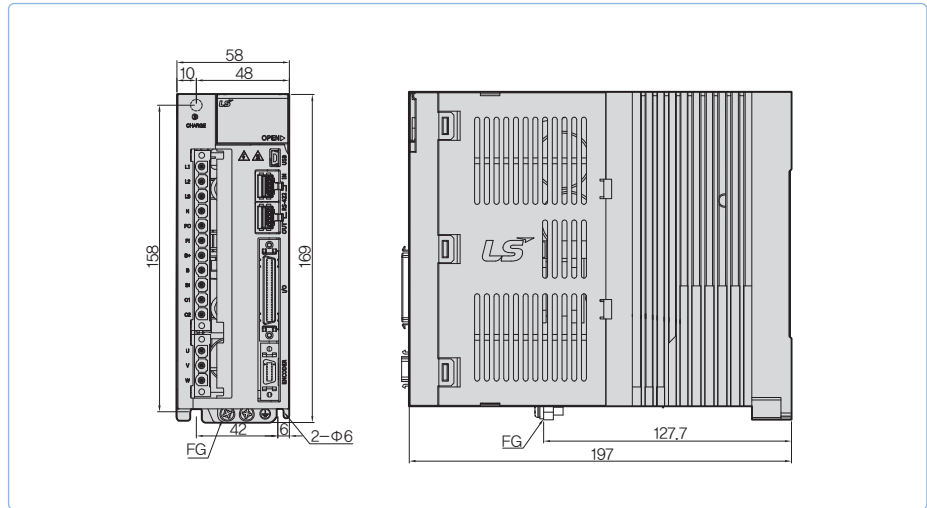
**XDL-L7PA150U**  
 [Weight : 16.2kg  
 (Fan-Cooling included)]

\*Unit [mm]



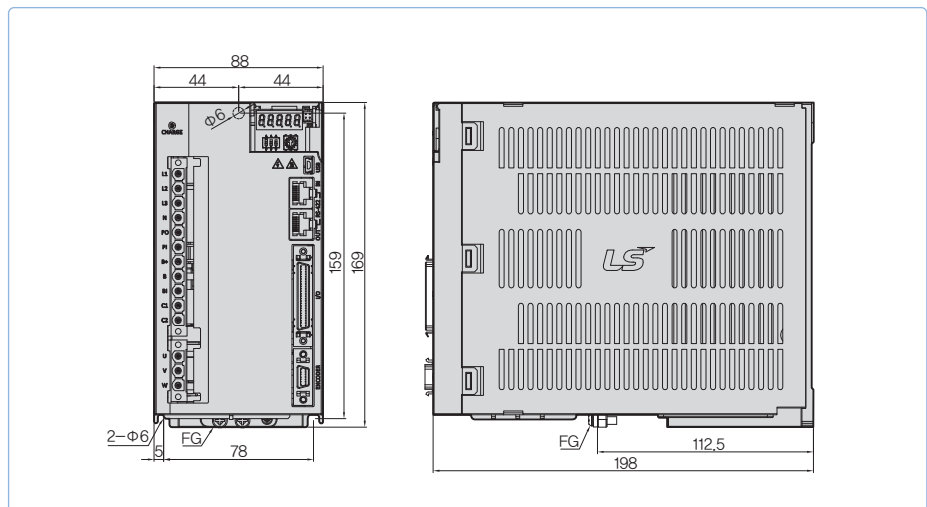
**XDL-L7PB010U**  
 [Weight : 1.5kg  
 (Fan-Cooling included)]

\*Unit [mm]



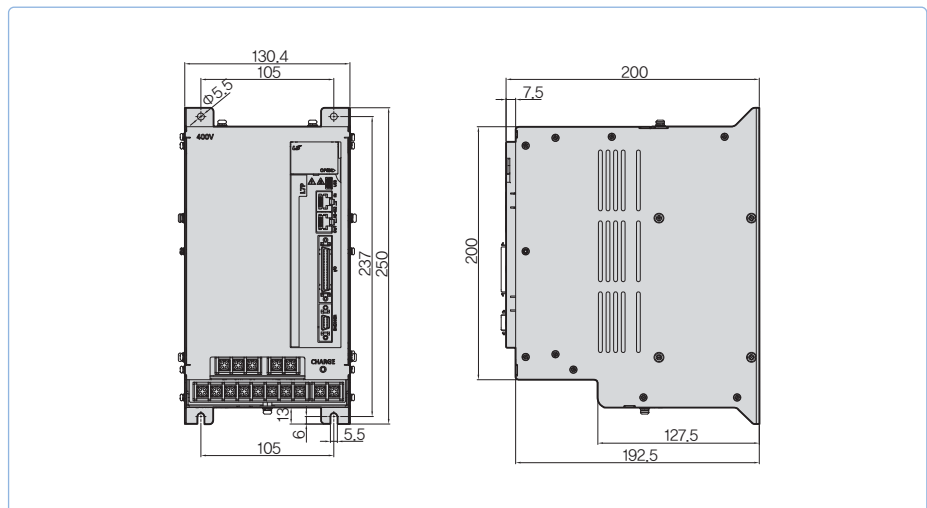
**XDL-L7PB020U /  
 XDL-L7PB035U**  
 [Weight : 2.5kg  
 (Fan-Cooling included)]

\*Unit [mm]



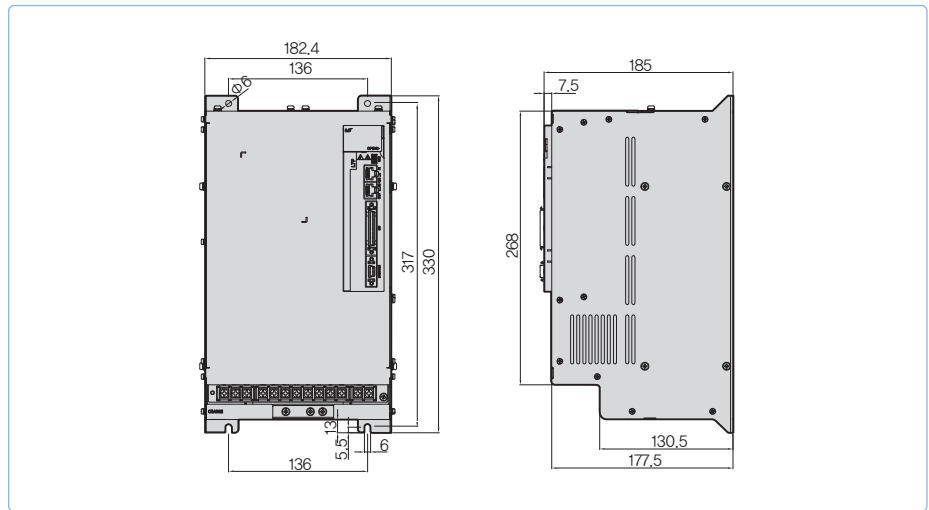
**XDL-L7PB050U**  
 [Weight : 5.5kg  
 (Fan-Cooling included)]

\*Unit [mm]



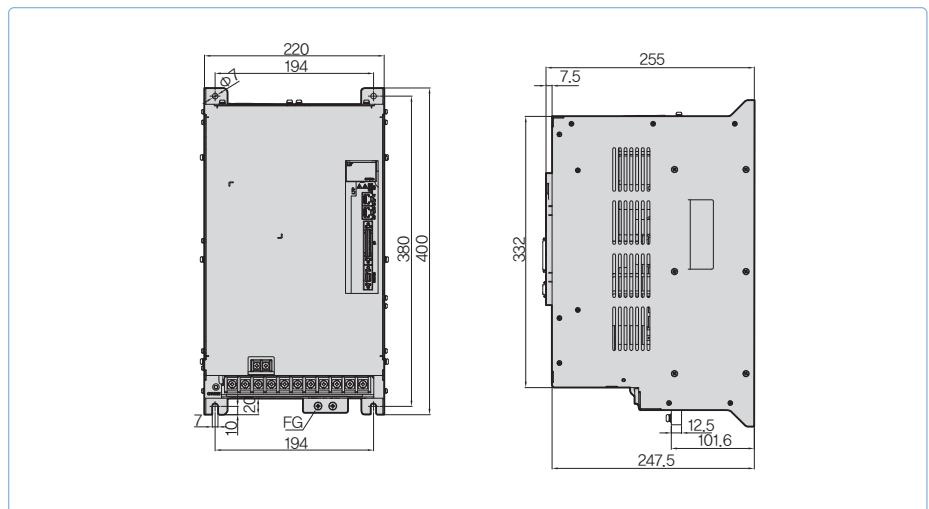
**XDL-L7PB075U**  
 [Weight : 8.5kg  
 (Fan-Cooling included)]

\*Unit [mm]



**XDL-L7PB150U**  
 [Weight : 15.5kg  
 (Fan-Cooling included)]

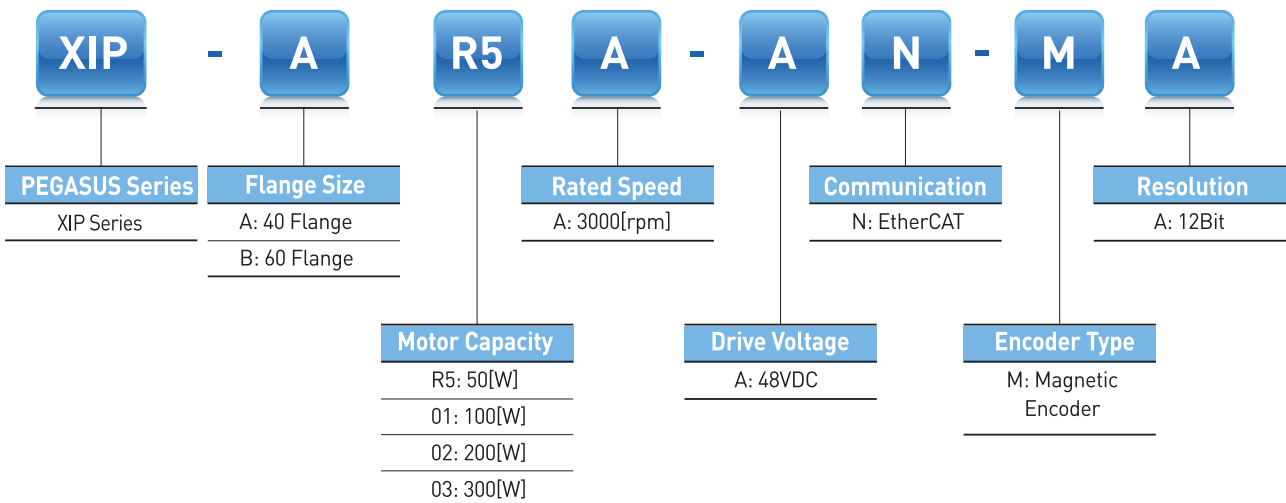
\*Unit [mm]



## XIP(PEGASUS) Series



### Servo Drive Designation



## Integrated Servo System Type **XIP(PEGASUS)**

### Enhanced efficiency integrated servo system

- Cost effective from installation by integrated system of motor, encoder cable and drive
- Maximization for useful space when installed at limited and small space
- High effectiveness for application of multi axis because there is no limitation for space of installation

### Real-time control through EtherCAT

- High speed, Real-time capability and Synchronization mechanism
- Improved EtherCAT communication speed
- Supporting CoE, EoE and FoE

- 1 Input / Output Signal Connector (CN1)
  - This Connector is for Sequence Input / Output Signals
- 2 EtherCAT Communication Output Port (OUT)
- 3 Status LED
  - It Indicates the current state of EtherCAT Communication
- 4 Power Connector (CN3)
- 5 EtherCAT Communication Input Port (IN)
- 6 Safety Connector (CN2)
  - This Connector connects Safety Devices
- 7 USB Connector (CN5, Mini B type)
  - This Connector is to Communicate With a PC
- 8 Node Address Setting Switch
  - This Switch is to set the node address of the drive
  - You can set the node addresses from 0 to 15



## Rated Values of Servo Drive

Rated	□40 50W	□40 100W	□60 100W	□60 200W	□60 300W
Continuous output current [Arms]	1.77	2.38	3.62	5	6.8
Maximum output current [Arms]	3.54	3.75	7.24	10	13.6
Input voltage	DC 48V ~ DC 60V				

## Basic Specifications

Category		Details	
Use conditions	Control method	PWM controlled sine wave current driving method	
	Operating temperature/storage temperature	0~+40[°C] / -20~+60[°C]	
	Operating humidity/storage humidity	Below 80% RH / Below 90% RH (no freeze or condensation)	
	Vibration-/impact-resistance	TBD	
	Degree of protection/degree of pollution	TBD	
	Altitude	1000m or lower	
	Other	To be free from electrostatic noise, strong electrolysis, or radiation.	
Performance	Speed variation	Load variation	At 0 to 100% load: ± 3% (at rated speed)
		Voltage variation	Rated voltage ±10%: 0% (at rated speed)
		Temperature variation	25°C: ±0.1% or less (at rated speed)
Input/output signal	Input signal	Input voltage range: DC 12 V - DC 30 V The 4-channel input signal can be assigned to 12 functions: POT, NOT, HOME, STOP, PCON, GAIN2, PCL, NCL, PROBE1, PROBE2, EMG, and ARST.	
	Output signal	Rated voltage and current: DC 24 V ± 10%, 120 [mA] The 2-channel output signal can be assigned to 11 functions: BRAKE, ALARM, RDY, ZSPD, INPOS1, TLMT, VLMT, INSPD, WARN, TGON, and INPOS2.	
Analog Monitor		Number of channels: 1, Output voltage range: ±4V, Angular resolution: 12 bits, Stabilization time: 15 us	
USB communication	Connecting device	PC or USB storage medium	
	Communication standard	Conform to the USB 2.0 Full Speed Standard.	
	Function	Firmware download, parameter setting, adjustment, auxiliary functions, and parameter copy function.	
Dynamic brake (three-phase short-circuit)		Activates when servo alarm, servo OFF, or Emergency stop (POT, NOT and EMG) is input.	
Protection functions		Overcurrent, overload, current limit, overheat, overvoltage, undervoltage, overspeed, encoder error, position follow error, ect.	
Auxiliary functions		Gain adjustment, alarm history, JOG drive, programmed JOG drive, etc.	
Safety functions	Input	STO1 and STO2	
	Compatible standard	TBD	

## EtherCAT Communication Specification

Category		Details
Communication standard	FoE	Firmware download
	EoE	Parameter setting, adjustment, auxiliary functions, and parameter copy through UDP.
	CoE	IEC 61158 Type12, IEC 61800-7 CiA 402 drive profile
Physical layer		100BASE-TX(IEEE802.3)
Connector		RJ45 x 2
Distance		Within 100 m between nodes
DC (Distributed Clock)		Sync by DC mode
LED Display		• L/A0(Link/Act IN) • L/A1(Link/Act OUT) • RUN • ERR
Cia402 drive Profile		Supports CSP, CSV, CST, PP, PV, PT, and HM Modes.

## Encoder Specification

Category	Details
Encoder Type	Magnetic Encoder (12bit)

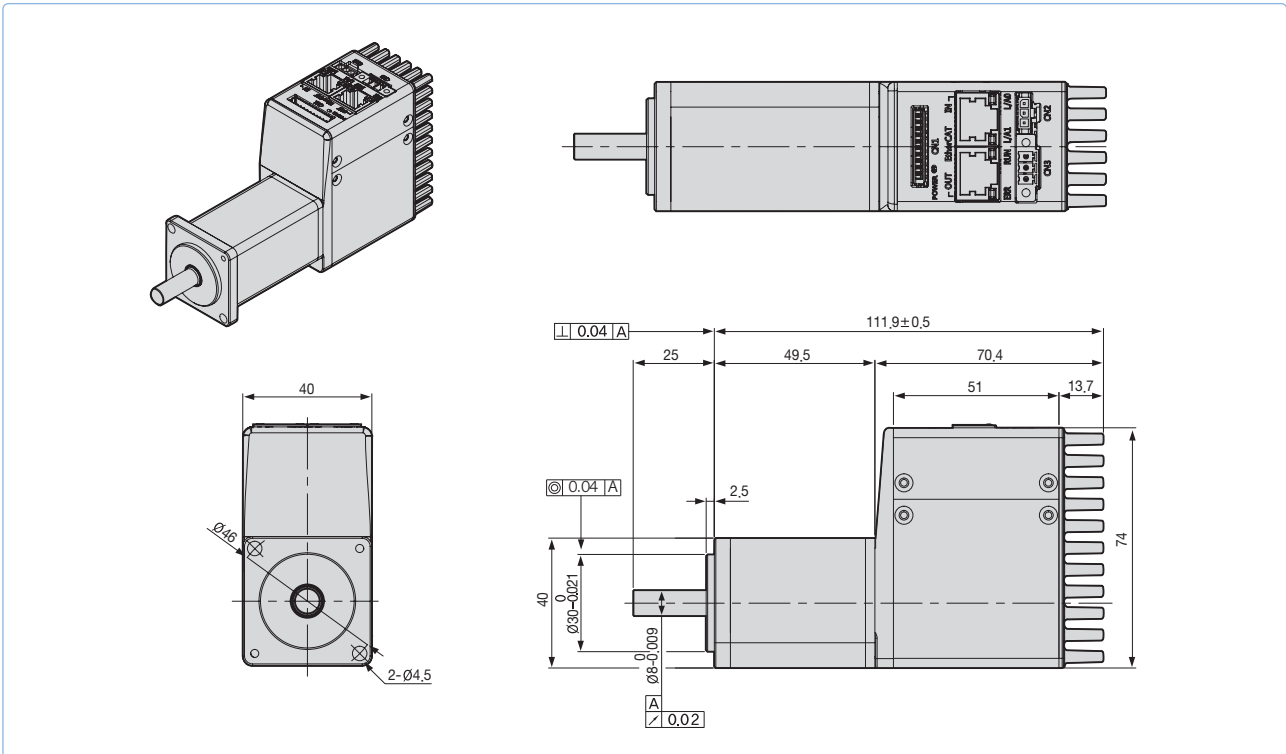
## Motor Specification

Model	Unit	□40 50W	□40 100W	□60 100W	□60 200W	□60 300W
Rated Torque	[Kgf cm]	1.62	3.25	3.25	6.50	9.74
Max. Torque	[Kgf cm]	3.24	4.88	6.50	13.0	19.48
Rated Speed	[rpm]	3000	2400	3000	3000	3000
Max Speed	[rpm]	3000	3000	3000	3000	3000
Inertia	[Kg m <sup>2</sup> x 10 <sup>-4</sup> ]	0.0240	0.0450	0.114	0.182	0.321

# External Dimensions

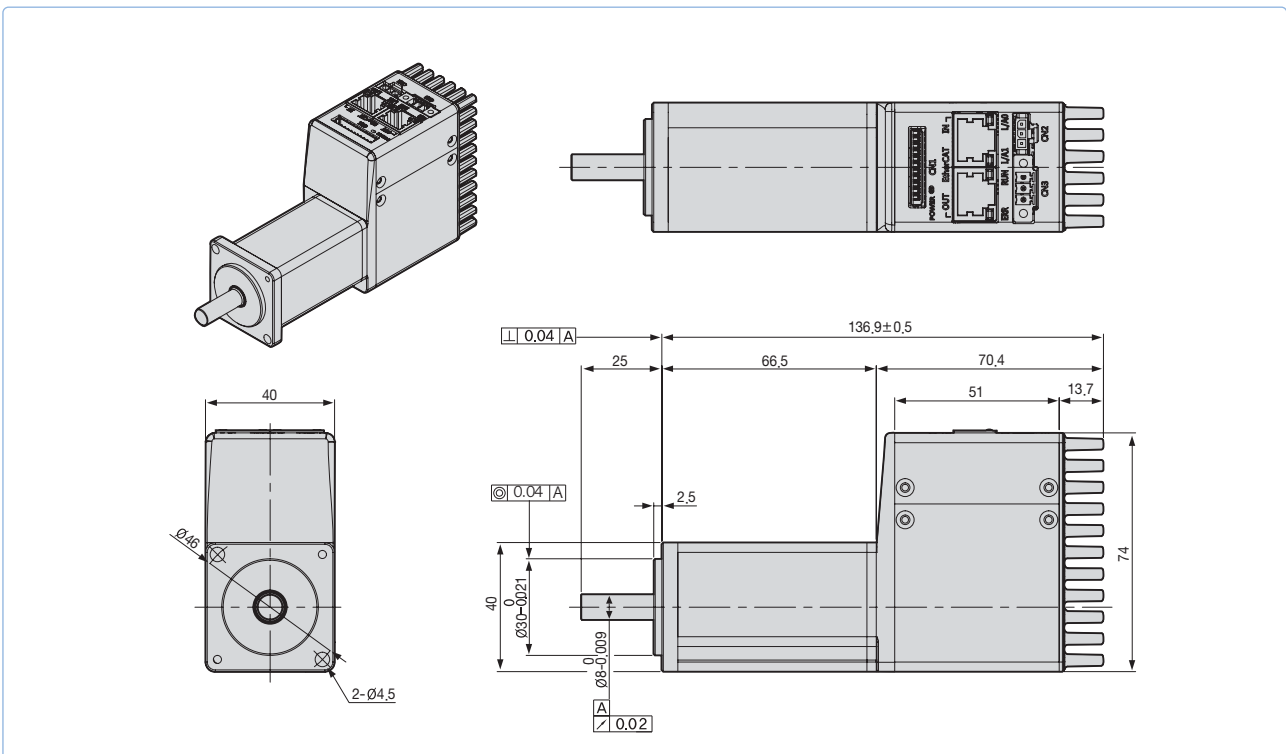
## XIP-AR5A

\*Unit [mm]



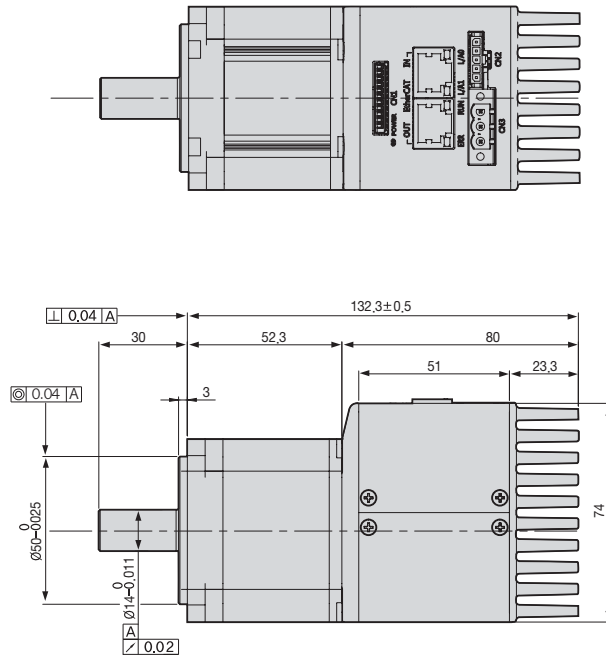
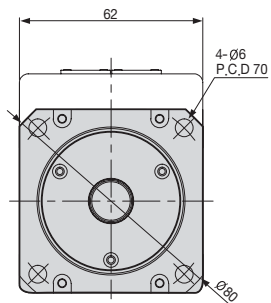
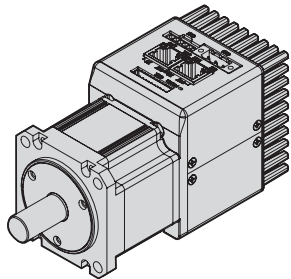
## XIP-A01A

\*Unit [mm]



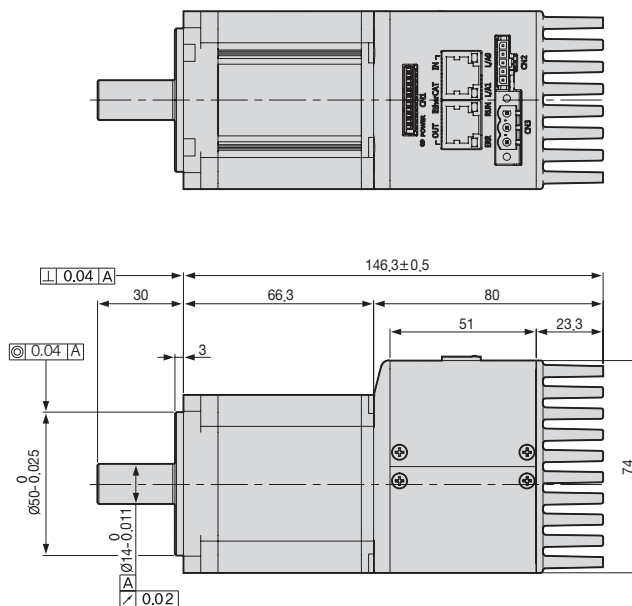
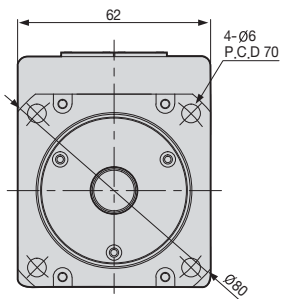
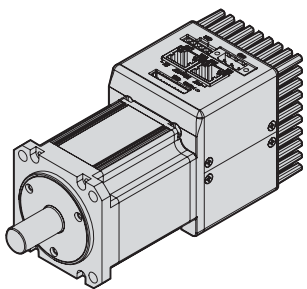
### XIP-B01A

\*Unit [mm]



### XIP-B02A

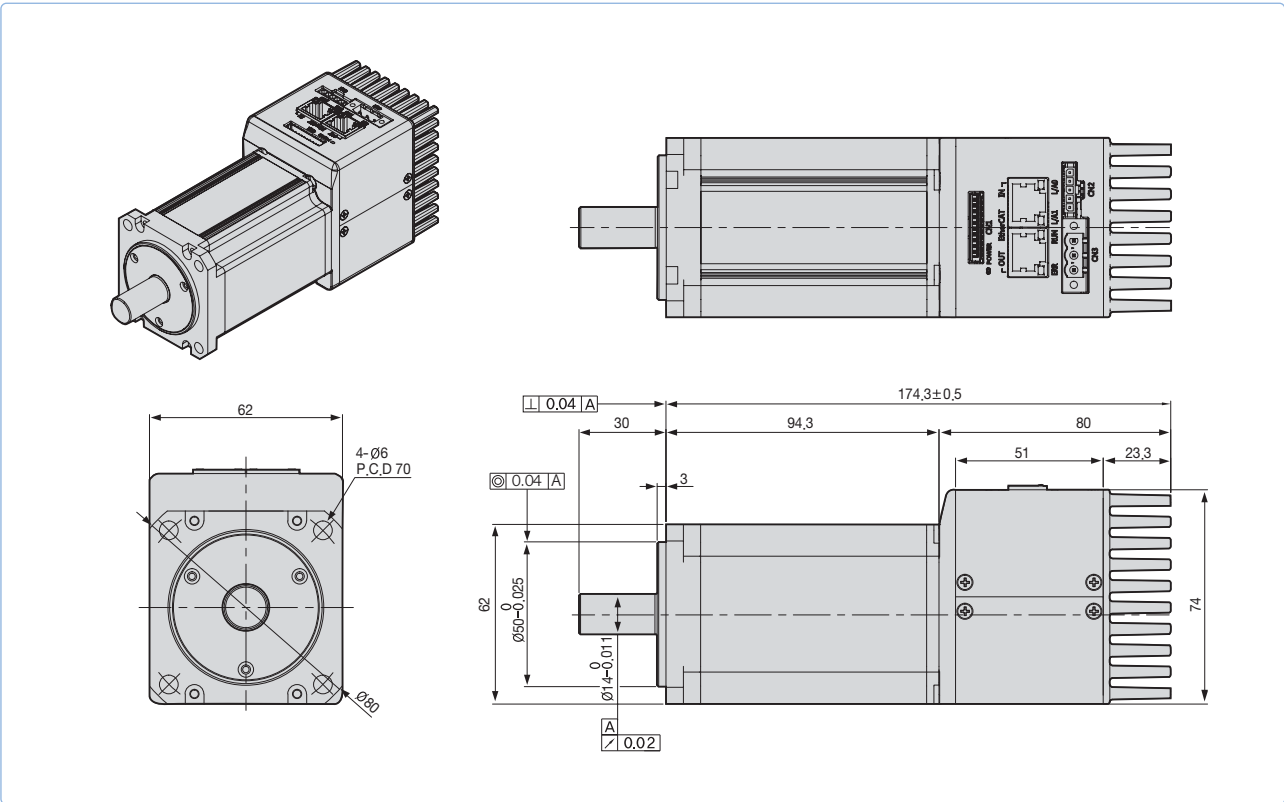
\*Unit [mm]





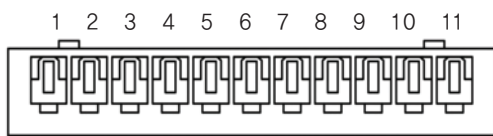
XIP-B03A

\*Unit [mm]



Accessory Kit

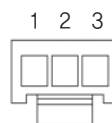
CN1 : I/O Connector



51004-1100 (MOLEX)

Pin Number	Direction	Name	Signals	Descriptions
1	VCC	+24	+24V INPUT	+24V Vcc Input
2	Input	POT	Positive Over-Travel	Limit Sensor Input
3	Input	NOT	Negative Over Travel	
4	Input	HOME	Home Sensor	Home Sensor Input for Homing
5	Input	STOP	Stop Input	Stop Command Input
6	Output	BRAKE+	BRAKE	Output Brake Control Signal
7	Output	BRAKE-		
8	Output	ALARM+	Alarm Output	Servo Alarm Output
9	Output	ALARM-		
10	Output	MONITOR1	Analog Monitor	Analog Monitor Output(0V~5V)
11	GND	AGND	AGND(0V)	Analog Signal Ground

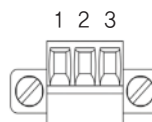
CN2 : Safe Torque Off Connector



43645-3 (MOLEX)

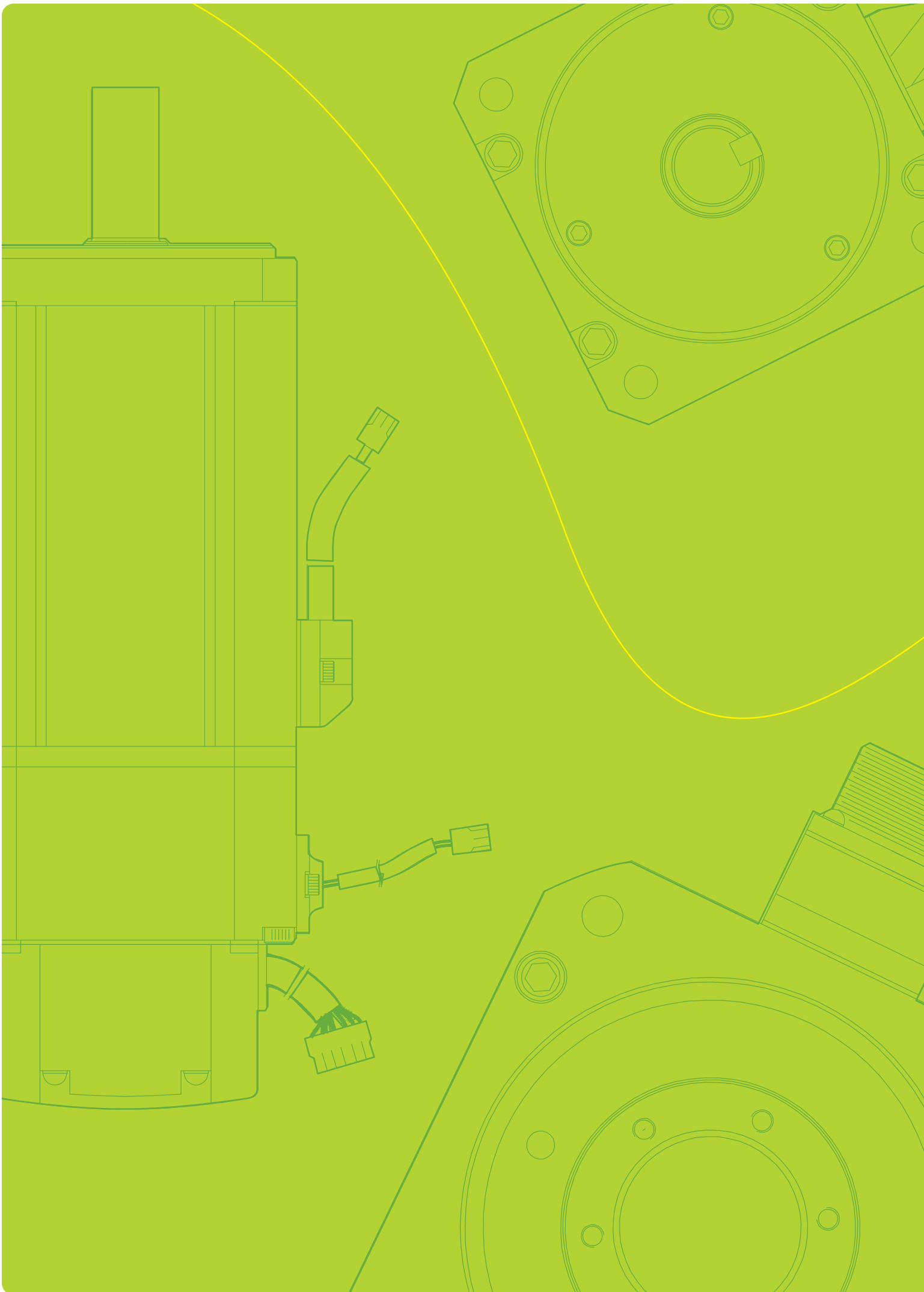
Pin Number	Name	Descriptions
1	HWBB1	Safe Torque Off(STO) input signals
2	HWBB2	
3	COMMON	DC 24V GND

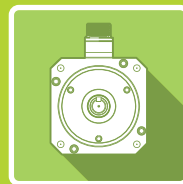
CN3 : Power Connector



MC\_1.5-3-STF-3.5 (PHOENIX CONTACT)

Pin Number	Name	Descriptions
1	FG	Frame Ground
2	N(DC 0V)	DC 0V GND
3	VCC(DC 48V)	DC 48V input





# Servo Motor

## Contents

### F Series

Flat Type Rotating Servo Motor ----- 68

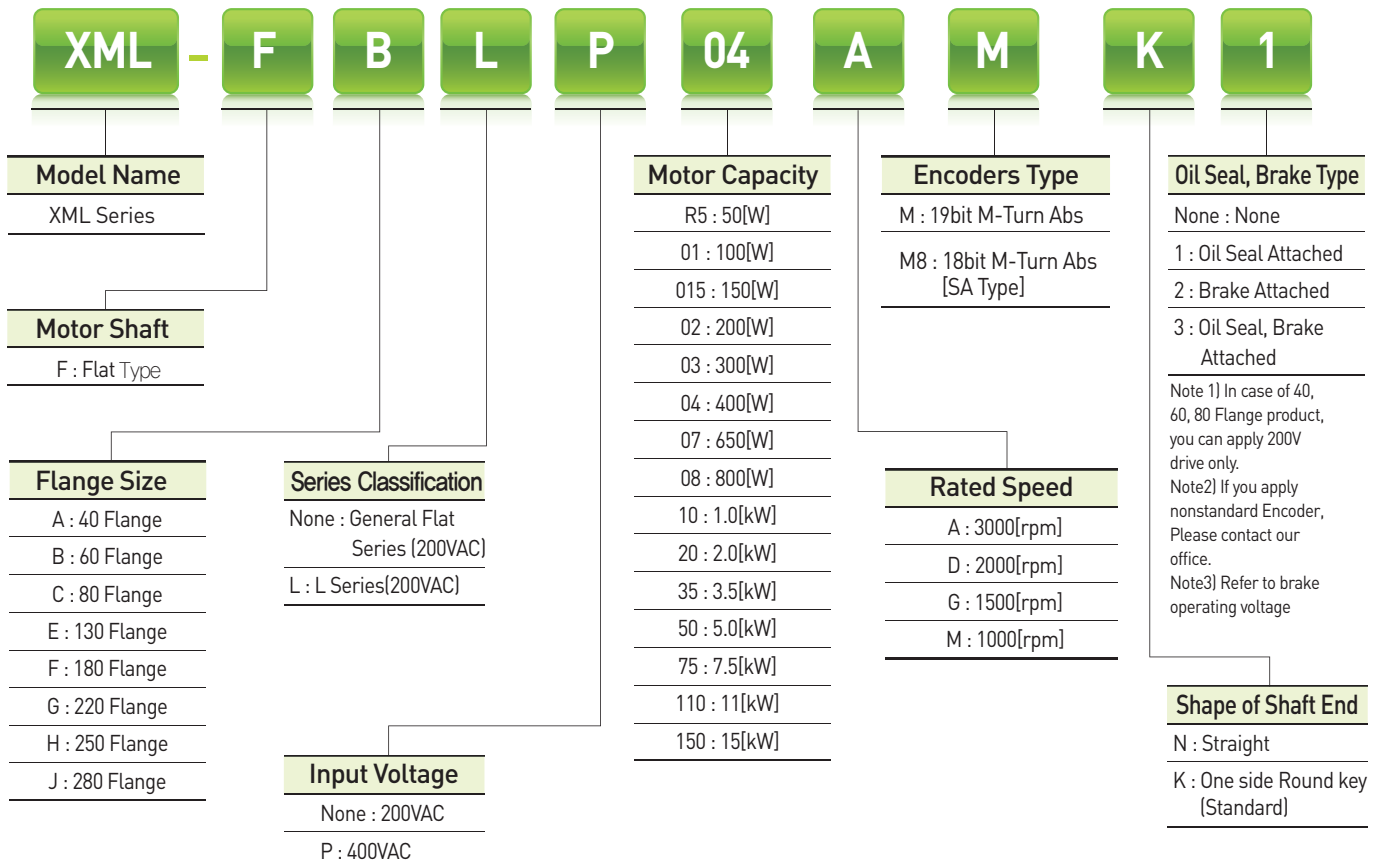
### S Series

Solid/Hollow Shaft Type Rotating ----- 83  
Servo Motor

### MDM Series

Direct-Drive Motor ----- 95

## Servo Motor Designation



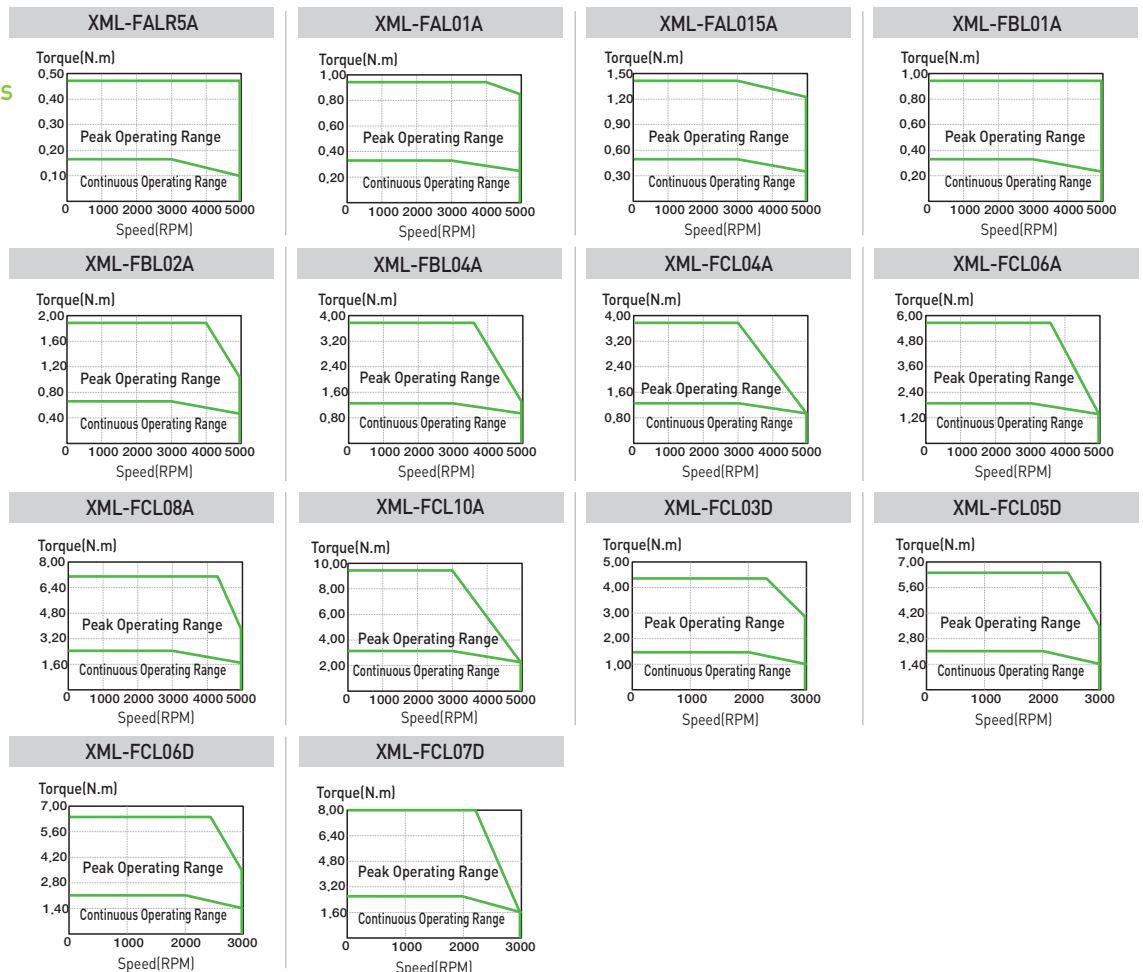
## Motor Specifications [Rated 3000r/min, 2000r/min]

Servo Motor (XML-□□□□)	FALR5A	FAL01A	FAL015A	FBL01A	FBL02A	FBL04A	FCL04A	FCL06A	FCL08A	FCL10A	FCL03D	FCL05D	FCL06D	FCL07D				
Applicable Drive	L7□A001		L7□A004		L7□A001		L7□A002		L7□A004		L7□A008		L7□A010		L7□A004		L7□A008	
Flange Size(□)	□40				□60				□80									
Rated Output [kW]	0.05	0.1	0.15	0.1	0.2	0.4	0.4	0.6	0.75	1	0.3	0.45	0.55	0.65				
Rated Torque [N·m]	0.16	0.32	0.48	0.32	0.64	1.27	1.27	1.91	2.39	3.18	1.43	2.15	2.63	3.1				
[kgf·cm]	1.62	3.25	4.87	3.25	6.49	12.99	12.99	19.49	24.36	32.48	14.62	21.92	26.8	31.67				
Max. Instantaneous [N·m]	0.48	0.96	1.43	0.96	1.91	3.82	3.82	5.73	7.16	9.55	4.3	6.45	7.88	9.31				
[kgf·cm]	4.87	9.74	14.62	9.74	19.48	38.96	38.98	58.47	73.08	97.44	43.85	65.77	80.39	95.01				
Rated Current [A]	0.95	1.25	1.76	0.95	1.45	2.6	2.58	3.81	5.02	5.83	2.5	3.05	3.06	3.83				
Max. Current [A]	2.85	3.75	5.28	2.85	4.35	7.8	7.75	11.42	15.07	17.5	7.51	9.16	9.18	11.5				
Rated Speed [r/min]	3000										2000							
Max. Speed [r/min]	5000										3000							
Inertia [kg·m <sup>2</sup> ×10 <sup>-4</sup> ]	0.023	0.042	0.063	0.091	0.147	0.248	0.53	0.897	1.264	1.632	0.53	0.897	1.264	1.63				
[gf·cm·s <sup>2</sup> ]	0.024	0.043	0.065	0.093	0.15	0.253	0.541	0.915	1.29	1.665	0.541	0.915	1.29	1.66				
Allowable Load Inertia Ratio	30 times of motor inertia				20 times of motor inertia				15 times of motor inertia									
Rated Power Rate [kW/s]	10.55	23.78	35.34	11.09	27.6	27.07	30.6	40.66	45.09	62.08	38.73	51.47	54.56	59.03				
Speed/Position Detector	Standard <span style="color:red">Note1</span>	Serial Multi-Turn Built-in Type(18bit)				Serial Multi-Turn Built-in Type(19bit)												
	Option	×																
Specifications & Features	Structure	Fully closed · Self cooling IP67 <span style="color:red">Note1</span>																
	Rated Time	Continuous																
	Ambient Temp	Operating : 0 ~ 40[°C] Storage : -10 ~ 60[°C]																
	Ambient Humidity	90[%]RH Below [avoid dew-condensation]																
	Atmosphere	Avoid direct sunlight, no corrosive gas, inflammable gas, oil mist, or dust.																
	E/V	Elevation/vibration 49[m/s <sup>2</sup> ][5G]																
Weight [kg]	0.31	0.45	0.61	0.56	0.74	1.06	1.52	2.14	2.68	3.3	1.26	2.12	2.66	2.78				

Note1) Except for axis penetration, when you attach reducer to the motor, we don't guarantee IP for reducer. If you bend over specification designated in cable standard, it is difficult to guarantee IP marked. It can be satisfied protection grade when you use private cable only.

Servo Motor

## Speed-Torque Characteristics

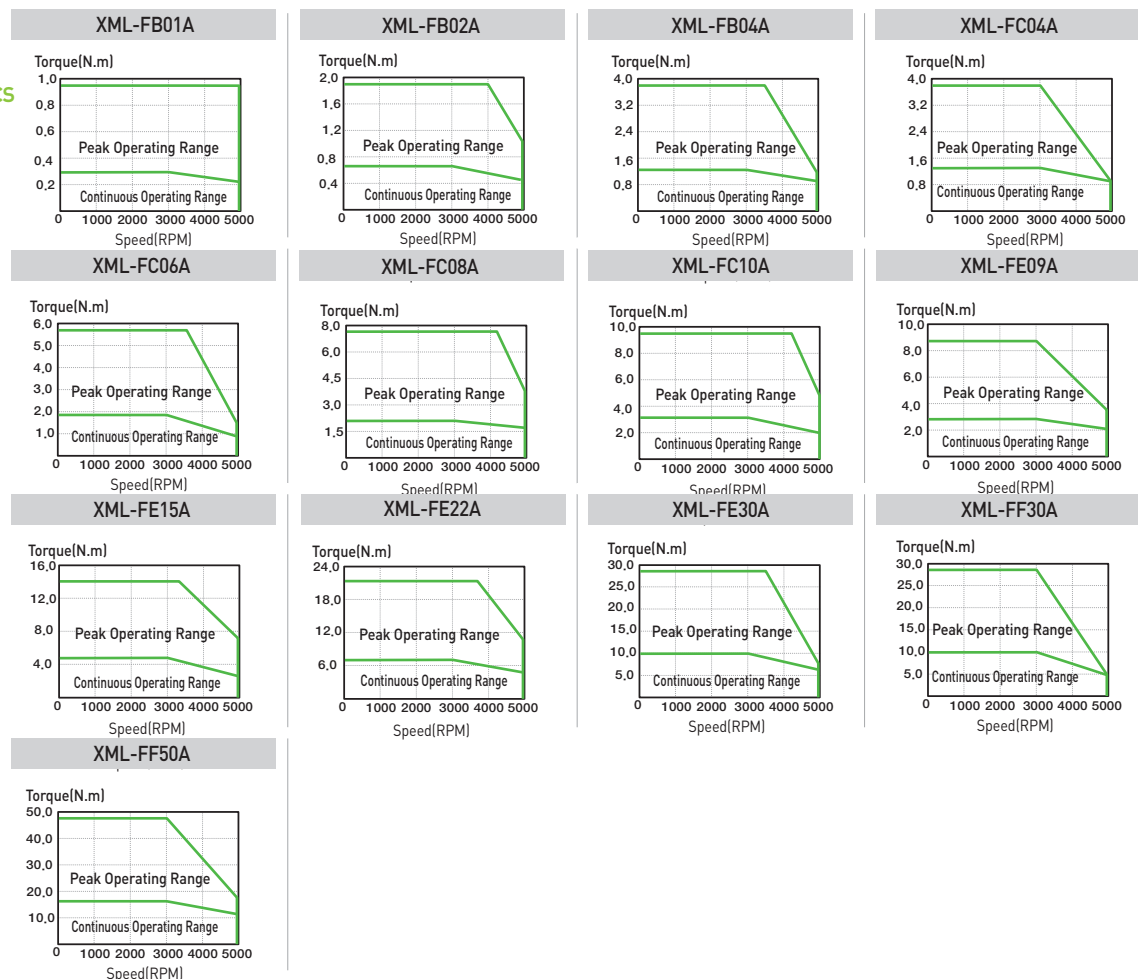


## Motor Specifications [Rated 3000r/min]

Servo Motor [XML-□□□□]	FB01A	FB02A	FB04A	FC04A	FC06A	FC08A	FC10A	FE09A	FE15A	FE22A	FE30A	FF30A	FF50A	
Applicable Drive	L7□A001	L7□A002	L7□A004		L7□A008			L7□A010	L7□A020		L7□A035	L7□A050		
Flange Size(□)	□60				□80				□130			□180		
Rated Output [kW]	0.1	0.2	0.4	0.4	0.6	0.75	1	0.9	1.5	2.2	3	3	5	
Rated Torque [N·m]	0.32	0.64	1.27	1.27	1.91	2.39	3.18	2.86	4.77	7	9.55	9.55	15.91	
[kgf·cm]	3.25	6.5	12.99	13	19.5	24.36	32.5	29.2	48.7	71.4	97.4	97.4	162.3	
Max. Instantaneous [N·m]	0.96	1.91	3.82	3.82	5.73	7.16	9.55	8.59	14.32	21.01	28.65	28.65	47.74	
[kgf·cm]	9.74	19.49	38.98	38.98	58.47	73.08	97.44	87.7	146.1	214.3	292.2	292.3	487	
Rated Current [A]	0.95	1.45	2.6	2.58	3.81	5.02	6.7	6.45	9.15	13.24	16.09	15.26	26.47	
Max. Current [A]	2.86	4.35	7.79	7.75	11.42	15.07	20.09	19.35	27.45	39.72	48.27	45.78	79.41	
Rated Speed [r/min]	3000													
Max. Speed [r/min]	5000													
Inertia [kg·m <sup>2</sup> ×10 <sup>-4</sup> ]	0.09	0.15	0.25	0.5	0.88	1.25	1.62	5.66	10.18	14.62	19.04	27.96	46.56	
[gf·cm <sup>2</sup> ·s <sup>2</sup> ]	0.09	0.15	0.25	0.51	0.89	1.27	1.65	5.77	10.39	14.92	19.43	28.53	47.51	
Allowable Load Inertia Ratio	20 times of motor inertia			15 times of motor inertia			10 times of motor inertia					5 times of motor inertia		
Rated Power Rate [kW/s]	11.38	27.95	65.9	32.62	41.69	45.78	62.74	14.47	22.38	33.59	47.85	32.59	54.33	
Speed/Position Detector	Standard <span style="color:red">Note1</span>	Serial Type 19[Bit]												
	Option	×												
Specifications & Features	Structure	Fully closed · Self cooling IP65 <span style="color:red">Note1</span>												
	Rated Time	Continuous												
	Ambient Temp	Operating : 0 ~ 40[°C] Storage : -10 ~ 60[°C]												
	Ambient Humidity	90[%]RH Below [avoid dew-condensation]												
	Atmosphere	Avoid direct sunlight, no corrosive gas, inflammable gas, oil mist, or dust.												
	E/V	Elevation/vibration 49[m/s <sup>2</sup> ][5G]												
Weight [kg]	0.7	0.9	1.3	1.6	2.2	2.7	3.8	5	6.7	8.5	10.1	12.5	17.4	

Note1) Except for axis penetration, when you attach reducer to the motor, we don't guarantee IP for reducer. If you bend over specification designated in cable standard, it is difficult to guarantee IP marked. It can be satisfied protection grade when you use private cable only.

## Speed-Torque Characteristics

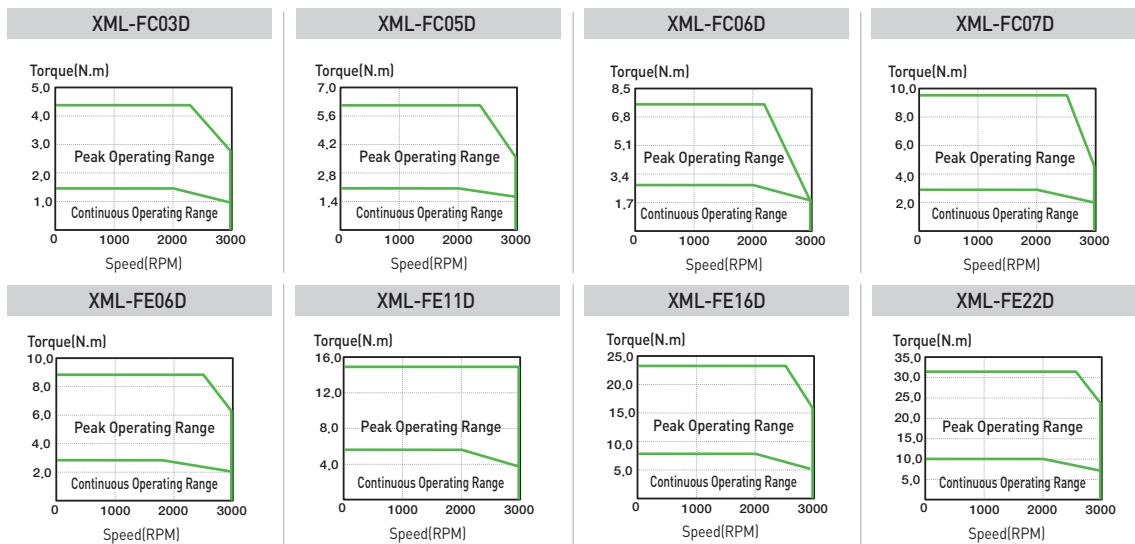


### Motor Specifications [Rated 2000r/min]

Servo Motor (XML-□□□□)		FC03D	FC05D	FC06D	FC07D	FE06D	FE11D	FE16D	FE22D
Applicable Drive		L7□A004	L7□A008			L7□A010		L7□A020	
Flange Size(□)		□80				□130			
Rated Output	[kW]	0.3	0.45	0.55	0.65	0.6	1.1	1.6	2.2
	[N · m]	1.43	2.15	2.6	3.1	2.86	5.25	7.63	10.5
Rated Torque	[kgf · cm]	14.6	21.9	26.8	31.7	29.20	53.6	77.9	107.1
	[N · m]	4.3	6.45	7.88	9.31	8.59	15.75	22.92	31.51
Max. Instantaneous	[kgf · cm]	43.8	65.8	80.4	95	87.7	160.7	233.8	321.4
	[A]	2.5	3.05	3.06	3.83	4.56	6.47	10.98	12.97
Rated Current	[A]	7.51	9.16	9.18	11.5	13.68	19.41	32.94	38.91
Rated Speed	[r/min]	2000							
Max. Speed	[r/min]	3000							
Inertia	[kg · m <sup>2</sup> X10 <sup>-4</sup> ]	0.5	0.88	1.25	1.62	5.66	10.18	14.62	19.04
	[gf · cm · s <sup>2</sup> ]	0.51	0.89	1.27	1.65	5.77	10.39	14.92	19.43
Allowable Load Inertia Ratio		15 times of motor inertia				10 times of motor inertia			
Rated Power Rate	[kW/s]	41.28	52.76	55.39	59.64	14.49	27.08	39.89	57.9
Speed/Position Detector	Standard <b>Note1</b>	Serial Multi-Turn Built-in Type(19bit)							
	Option	×							
Specifications & Features	Structure	Fully closed · Self cooling IP65 <b>Note1</b>							
	Rated Time	Continuous							
	Ambient Temp	Operating : 0 ~ 40[°C] Storage : -10 ~ 60[°C]							
	Ambient Humidity	90[%]RH Below (avoid dew-condensation)							
	Atmosphere	Avoid direct sunlight, no corrosive gas, inflammable gas, oil mist, or dust.							
E/V	Elevation/vibration 49[m/s <sup>2</sup> ][5G]								
Weight	[kg]	1.6	2.2	2.7	3.8	5	6.7	8.5	10.1

**Note1)** Except for axis penetration, when you attach reducer to the motor, we don't guarantee IP for reducer. If you bend over specification designated in cable standard, it is difficult to guarantee IP marked It can be satisfied protection grade when you use private cable only.

### Speed-Torque Characteristics



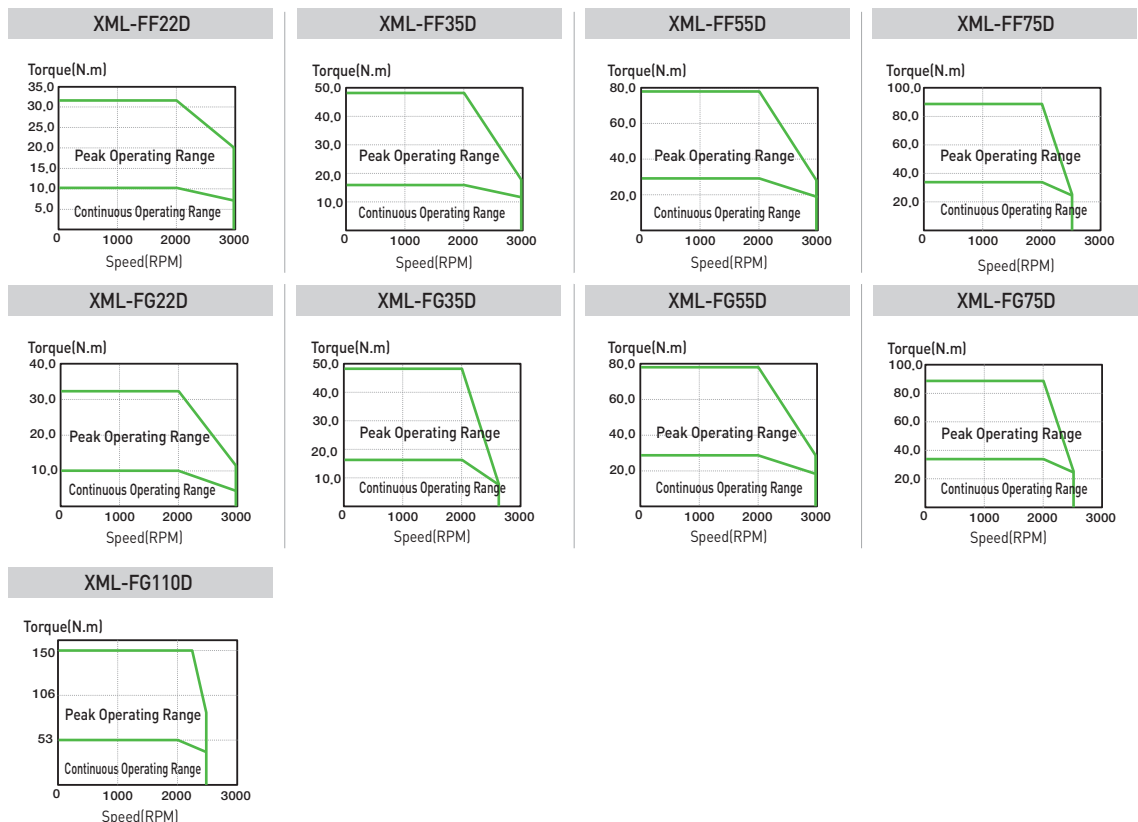
Servo Motor

## Motor Specifications [Rated 2000r/min]

Servo Motor (XML-□□□□)		FF22D	FF35D	FF55D	FF75D	FG22D	FG35D	FG55D	FG75D	FG110D
Applicable Drive		L7□A020	L7□A035	L7□A050	L7□A075	L7□A020	L7□A035	L7□A050	L7□A075	L7□A150
Flange Size(□)		□ 180				□ 220				
Rated Output	[kW]	2.2	3.5	5.5	7.5	2.2	3.5	5.5	7.5	11
	[N · m]	10.5	16.7	26.25	35.81	10.5	16.71	26.25	35.81	52.52
Rated Torque	[kgf · cm]	107.1	170.4	267.8	365.4	107.1	170.4	267.8	365.4	535.9
	[N · m]	31.5	50.1	78.76	89.53	31.51	50.12	78.76	89.53	157.55
Max. Instantaneous	[kgf · cm]	321.3	511.4	803.4	931.5	321.3	511.3	803.4	913.5	1607.60
	[A]	13.07	16.48	28.78	32.95	10.25	14.67	29.74	30.17	51.39
Rated Current	[A]	39.21	49.44	86.34	98.85	30.75	44.01	89.22	90.51	154.17
Max. Current	[A]	2000								
Rated Speed	[r/min]	3000				2500	3000	2700	3000	2500
Max. Speed	[r/min]	2000								
	[r/min]	3000				2500	3000	2700	3000	2500
Inertia	[kg · m <sup>2</sup> × 10 <sup>-4</sup> ]	27.96	45.56	73.85	106.7	41.13	71.53	117.52	149.4	291.36
	[gf · cm · s <sup>2</sup> ]	28.53	47.51	75.36	108.9	41.97	72.99	120.12	152.45	297.31
Allowable Load Inertia Ratio		5 times of motor inertia								
Rated Power Rate	[kW/s]	39.43	59.89	93.27	120.15	26.78	38.99	58.51	85.83	94.65
Speed/Position Detector	Standard <span style="color:red">Note1</span>	Serial Type(19bit)								
	Option	×								
Specifications & Features	Structure	Fully closed · Self cooling IP65 <span style="color:red">Note1</span>								
	Rated Time	Continuous								
	Ambient Temp	Operating : 0 ~ 40[°C] Storage : -10 ~ 60[°C]								
	Ambient Humidity	90[%]RH Below (avoid dew-condensation)								
	Atmosphere	Avoid direct sunlight, no corrosive gas, inflammable gas, oil mist, or dust.								
E/V	Elevation/vibration 49[m/s <sup>2</sup> ][5G]									
Weight	[kg]	12.5	17.4	25.12	33.8	15.4	20.2	28.12	33.45	66.2

Note1 Except for axis penetration, when you attach reducer to the motor, we don't guarantee IP for reducer. If you bend over specification designated in cable standard, it is difficult to guarantee IP marked It can be satisfied protection grade when you use private cable only.

## Speed-Torque Characteristics



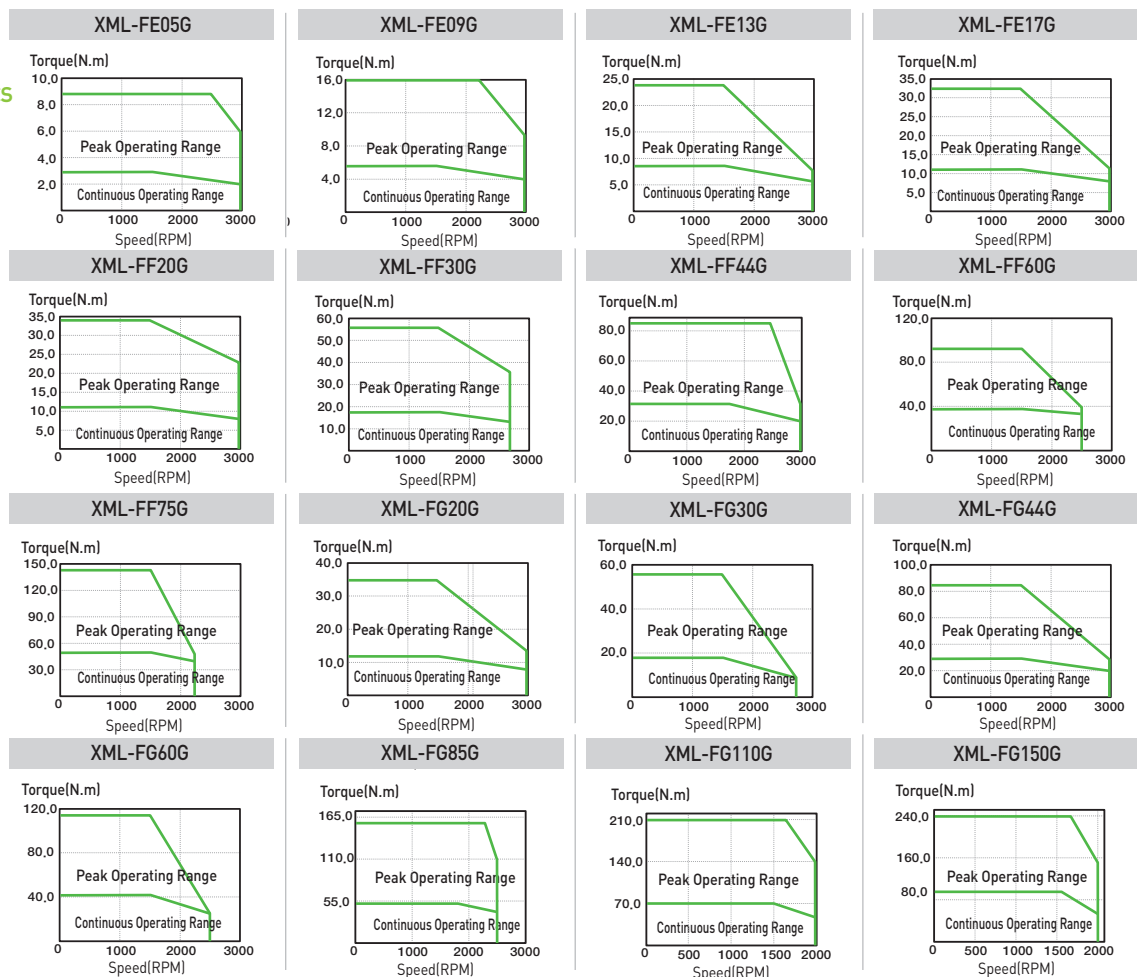


Motor Specifications [Rated1500r/min]

Servo Motor [XML-□□□□]	FE05G	FE09G	FE13G	FE17G	FF20G	FF30G	FF44G	FF60G	FF75G	FG20G	FG30G	FG44G	FG60G	FG85G	FG110G	FG150G	
Applicable Drive	L7□A008	L7□A010	L7□A020	L7□A020	L7□A020	L7□A035	L7□A050	L7□A075	L7□A075	L7□A020	L7□A035	L7□A050	L7□A075	L7□A150			
Flange Size(□)	□ 130				□ 180				□ 220								
Rated Output [kW]	0.45	0.85	1.3	1.7	1.8	2.9	4.4	6	7.5	1.8	2.9	4.4	6	8.5	11	15	
Rated Torque	[N·m]	2.86	5.41	8.27	10.82	11.45	18.46	28	38.2	47.7	11.5	18.5	28	38.2	54.11	69.99	95.45
	[kgf·cm]	29.22	55.19	84.41	110.38	116.9	188.3	285.7	389.8	487.2	116.9	188.4	285.8	389.7	552.1	714.2	974
Max. Instantaneous	[N·m]	8.59	16.23	24.82	32.46	34.35	55.38	84.03	95.5	143.2	34.4	55.4	84	95.5	162.32	209.97	238.63
	[kgf·cm]	87.66	165.57	253.23	331.14	350.6	564.9	851.1	974.9	1462	350.8	565.1	857.4	974.3	1656.30	2142.60	2435
Rated Current [A]	4.56	6.67	11.9	13.36	12.16	15.98	30.7	35.14	35.26	11.18	16.21	31.72	32.18	52.94	59.3	75.6	
Max.Current [A]	13.68	20.01	35.7	40.08	36.48	47.94	92.1	105.42	105.78	33.54	48.63	95.16	96.54	158.82	177.9	189	
Rated Speed [r/min]	1500																
Max. Speed [r/min]	3000				3000	2700	3000	2500	2000	3000	2700	3000	2500	2500	2000	2000	
Inertia	[kg·m <sup>2</sup> X10 <sup>-4</sup> ]	5.66	10.18	14.62	19.04	27.96	46.56	73.85	106.7	131.3	14.13	71.53	117.72	149.4	291.36	291.36	424.57
	[gf·cm·s <sup>2</sup> ]	5.77	10.39	14.92	19.43	28.53	47.51	75.36	108.9	134	41.97	72.99	120.12	152.45	297.31	297.31	416.08
Allowable Load Inertia Ratio	10 times of motor inertia				5 times of motor inertia												
Rated Power Rate [kW/s]	14.49	28.74	46.81	61.46	46.92	73.14	106.15	136.73	173.63	31.91	47.66	66.64	97.63	100.48	168.27	223.44	
Speed/Position Detector	Standard <i>Note1</i>	Serial Type 19[Bit]															
	Option	×															
Specifications & Features	Structure	Fully closed · Self cooling IP65 <i>Note1</i>															
	Rated Time	Continuous															
	Ambient Temp	Operating : 0 ~ 40[°C] Storage : -10 ~ 60[°C]															
	Ambient Humidity	90[%]RH Below (avoid dew-condensation)															
	Atmosphere	Avoid direct sunlight, no corrosive gas, inflammable gas, oil mist, or dust.															
	E/V	Elevation/vibration 49[m/s <sup>2</sup> ][5G]															
Weight [kg]	5.0	6.7	8.5	10.1	12.5	17.4	25.2	33.8	38.5	15.4	20.2	28	33.45	66.2	66.3	92.2	

*Note1*) Except for axis penetration, when you attach reducer to the motor, we don't guarantee IP for reducer. If you bend over specification designated in cable standard, it is difficult to guarantee IP marked It can be satisfied protection grade when you use private cable only.

Speed-Torque Characteristics

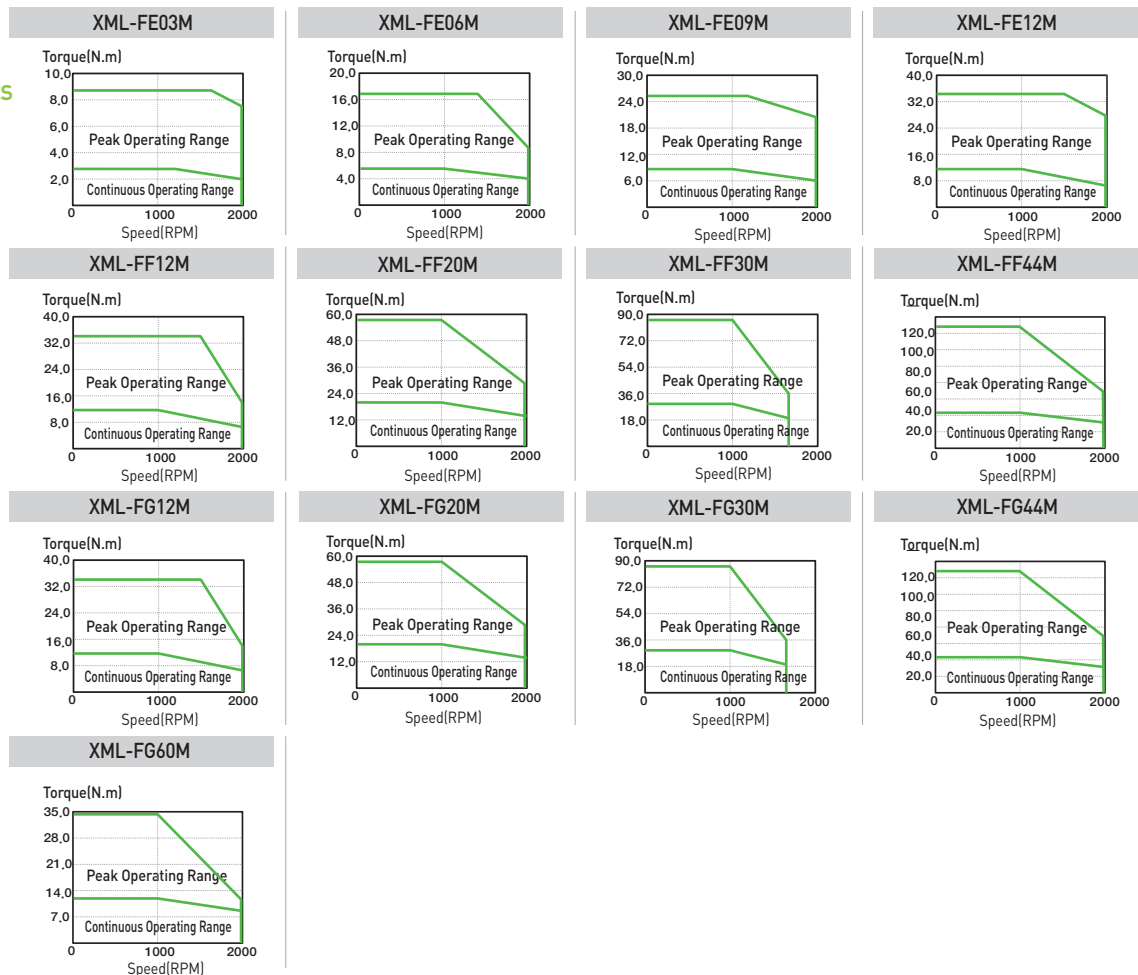


## Motor Specifications [Rated 1000r/min]

Servo Motor (XML-□□□□)	FE03M	FE06M	FE09M	FE12M	FF12M	FF20M	FF30M	FF44M	FG12M	FG20M	FG30M	FG44M	FG60M	
Applicable Drive	L7□B004	L7□A008	L7□A010	L7□A020		L7□A035	L7□A050	L7□A020		L7□A035	L7□A050	L7□A075		
Flange Size(□)	□ 130				□ 180				□ 220					
Rated Output	[kW]	0.3	0.6	0.9	1.2	1.2	2	3	4.4	1.2	2	3	4.4	6.0
Rated Torque	[N · m]	2.86	5.72	8.59	11.46	11.46	19.09	28.64	42.02	11.5	19.1	28.6	42	57.29
	[kgf · cm]	29.22	58.4	87.7	116.9	116.9	194.8	292.2	428.7	116.9	194.9	292.3	428.7	584.6
Max. Instantaneous	[N · m]	8.59	17.18	25.77	34.22	34.38	57.29	85.94	126.1	34.4	57.3	85.9	126	143.2
	[kgf · cm]	87.66	175.3	262.9	349.1	350.7	584.4	876.6	128.6	350.8	584.6	876.9	128.61	1432.4
Rated Current	[A]	2.73	4.56	6.18	10.67	11.1	12.96	16.58	30.6	11.28	13.1	15.52	27.26	39.32
Max. Current	[A]	8.19	13.68	18.54	32.01	33.03	38.88	49.74	91.8	33.84	39.3	46.56	81.78	98.30
Rated Speed	[r/min]	1000												
Max. Speed	[r/min]	2000				1700				2000		1700	2000	
Inertia	[kg · m <sup>2</sup> × 10 <sup>-4</sup> ]	5.66	10.18	14.62	19.04	27.96	46.56	73.85	106.6	41.13	71.53	117.72	149.4	291.36
	[gf · cm · s <sup>2</sup> ]	5.77	10.39	14.92	19.43	28.53	47.51	75.36	108.9	41.97	72.99	120.12	152.45	297.31
Allowable Load Inertia Ratio		10 times of motor inertia				5 times of motor inertia								
Rated Power Rate	[kW/s]	14.49	32.33	50.48	68.91	46.94	78.27	111.04	165.38	31.91	51	69.7	118.14	112.65
Speed/Position Detector	Standard <b>Note1</b>	Serial Type 19[Bit]												
	Option	×												
Specifications & Features	Structure	Fully closed · Self cooling IP65 <b>Note1</b>												
	Rated Time	Continuous												
	Ambient Temp	Operating : 0 ~ 40[°C] Storage : -10 ~ 60[°C]												
	Ambient Humidity	90[%]RH Below (avoid dew-condensation)												
	Atmosphere	Avoid direct sunlight, no corrosive gas, inflammable gas, oil mist, or dust.												
E/V	Elevation/vibration 49[m/s <sup>2</sup> ][5G]													
Weight	[kg]	5	6.7	8.5	10.1	12.5	17.4	25.2	33.8	15.4	20.2	28	33.5	66.2

**Note1)** Except for axis penetration, when you attach reducer to the motor, we don't guarantee IP for reducer. If you bend over specification designated in cable standard, it is difficult to guarantee IP marked It can be satisfied protection grade when you use private cable only.

## Speed-Torque Characteristics



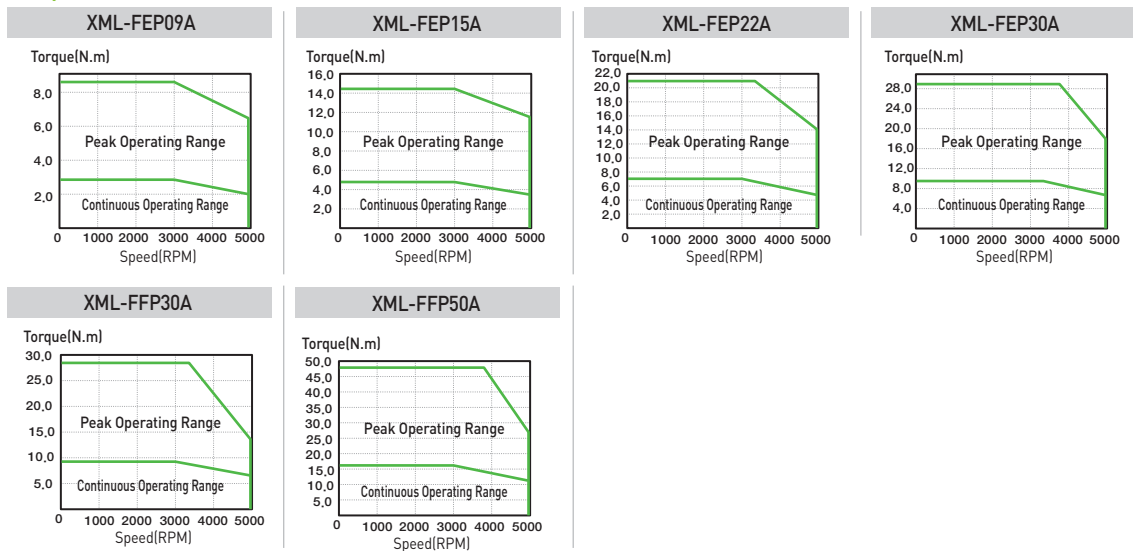
### Motor Specifications [Rated 3000r/min]

Servo Motor (XML-□□□□)		FEP09A	FEP15A	FEP22A	FEP30A	FFP30A	FFP50A
Applicable Drive		L7□B010□	L7□B020□	L7□B035□		L7□B050□	
Flange Size(□)		□130				□180	
Rated Output	[kW]	0.9	1.5	2.2	3	3	5
	[N · m]	2.86	4.77	7	9.55	9.55	15.92
Rated Torque	[kgf · cm]	29.33	48.72	71.46	97.44	97.44	162.4
	[N · m]	8.59	14.32	20.01	28.65	28.65	38.79
Max. Instantaneous	[kgf · cm]	87.7	146.16	214.37	292.33	292.33	406.01
	[A]	3.47	6.68	9.12	9.94	9.79	16.07
Max. Current	[A]	10.4	20.03	27.35	29.81	29.38	48.22
Rated Speed	[r/min]	3000					
Max. Speed	[r/min]	5000					
Inertia	[kg · m <sup>2</sup> X10 <sup>-4</sup> ]	5.659	10.179	14.619	19.04	27.96	46.56
	[gf · cm · s <sup>2</sup> ]	5.774	10.387	14.917	19.429	28.531	47.51
Allowable Load Inertia Ratio		10 times of motor inertia				5 times of motor inertia	
Rated Power Rate	[kW/s]	14.5	22.4	33.55	47.89	32.61	54.4
Speed/Position Detector	Standard <span style="color:red">Note1</span>	Serial Type 19[Bit]					
	Option	×					
Specifications & Features	Structure	Fully closed · Self cooling IP65 <span style="color:red">Note1</span>					
	Rated Time	Continuous					
	Ambient Temp	Operating : 0 ~ 40[°C] Storage : -10 ~ 60[°C]					
	Ambient Humidity	90[%]RH Below (avoid dew-condensation)					
	Atmosphere	Avoid direct sunlight, no corrosive gas, inflammable gas, oil mist, or dust.					
	E/V	Elevation/vibration 49[m/s <sup>2</sup> ][5G]					
Weight	[kg]	5.5	7.54	9.68	11.78	12.4	17.7

Note1) Except for axis penetration, when you attach reducer to the motor, we don't guarantee IP for reducer. If you bend over specification designated in cable standard, it is difficult to guarantee IP marked It can be satisfied protection grade when you use private cable only.

Servo Motor

### Speed-Torque Characteristics

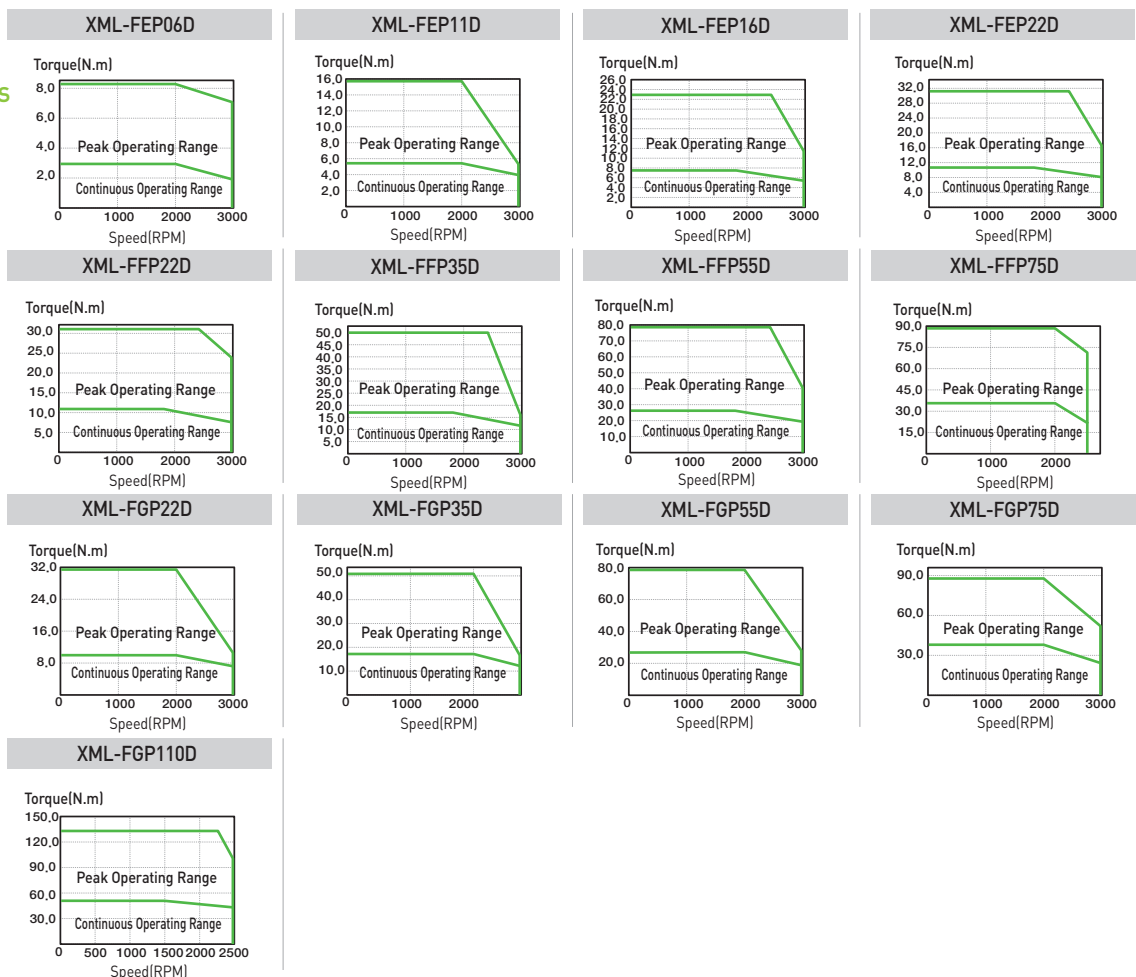


## Motor Specifications [Rated 2000r/min]

Servo Motor (XML-□□□□)		FEP06D	FEP11D	FEP16D	FEP22D	FFP22D	FFP35D	FFP55D	FFP75D	FGP22D	FGP35D	FGP55D	FGP75D	FGP110D	
Applicable Drive		L7□B010□				L7□B020□		L7□B035□	L7□B050□	L7□B075□	L7□B020□	L7□B035□	L7□B050□	L7□B075□	L7□B150□
Flange Size(□)		□130				□180				□220					
Rated Output	[kW]	0.6	1.1	1.6	2.2	2.2	3.5	5.5	7.5	2.2	3.5	5.5	7.5	11	
Rated Torque	[N · m]	2.86	5.25	7.64	10.5	10.5	16.71	26.26	35.81	10.5	16.71	26.26	35.81	52.52	
	[kgf · cm]	29.23	53.59	77.95	107.19	107.19	170.52	267.96	365.41	107.19	170.52	267.96	365.41	535.93	
Max. Instantaneous	[N · m]	8.59	15.76	22.92	31.51	31.51	50.13	65.65	89.52	31.51	50.13	78.78	89.52	131.30	
	[kgf · cm]	87.7	160.78	233.86	321.56	321.56	511.57	669.91	913.52	321.56	511.57	803.89	913.52	1339.82	
Rated Current	[A]	3.28	3.4	4.97	6.80	6.93	9.09	14.70	18.97	7.12	8.73	16.04	19.10	27.41	
Max.Current	[A]	9.83	10.19	14.92	20.4	20.8	27.26	44.1	47.42	21.35	26.2	48.11	47.76	67.33	
Rated Speed	[r/min]	2000													
Max. Speed	[r/min]	2000						2500	3000	2700	3000	2500			
Inertia	[kg · m <sup>2</sup> X 10 <sup>-4</sup> ]	5.659	10.179	14.619	19.04	27.96	46.56	73.85	106.73	41.13	71.53	117.72	149.4	291.36	
	[gf · cm · s <sup>2</sup> ]	5.774	10.387	14.917	19.429	28.531	47.51	75.357	108.908	41.67	72.99	120.12	152.45	297.31	
Allowable Load Inertia Ratio		10 times of motor inertia					5 times of motor inertia								
Rated Power Rate	[kW/s]	14.5	27.1	39.92	57.95	39.46	59.98	93.38	120.15	26.83	39.04	58.58	85.83	94.65	
Speed/Position Detector	Standard <i>Note1</i>	Serial Type 19[Bit]													
	Option	×													
Specifications & Features	Structure	Fully closed · Self cooling IP65 <i>Note1</i>													
	Rated Time	Continuous													
	Ambient Temp	Operating : 0 ~ 40[°C] Storage : -10 ~ 60[°C]													
	Ambient Humidity	90[%]RH Below [avoid dew-condensation]													
	Atmosphere	Avoid direct sunlight, no corrosive gas, inflammable gas, oil mist, or dust.													
	E/V	Elevation/vibration 49[m/s <sup>2</sup> ][5G]													
Weight	[kg]	5.5	7.54	9.68	11.78	12.4	17.7	26.3	35.6	16.95	21.95	30.8	37.52	66.2	

*Note1* Except for axis penetration, when you attach reducer to the motor, we don't guarantee IP for reducer. If you bend over specification designated in cable standard, it is difficult to guarantee IP marked. It can be satisfied protection grade when you use private cable only.

## Speed-Torque Characteristics



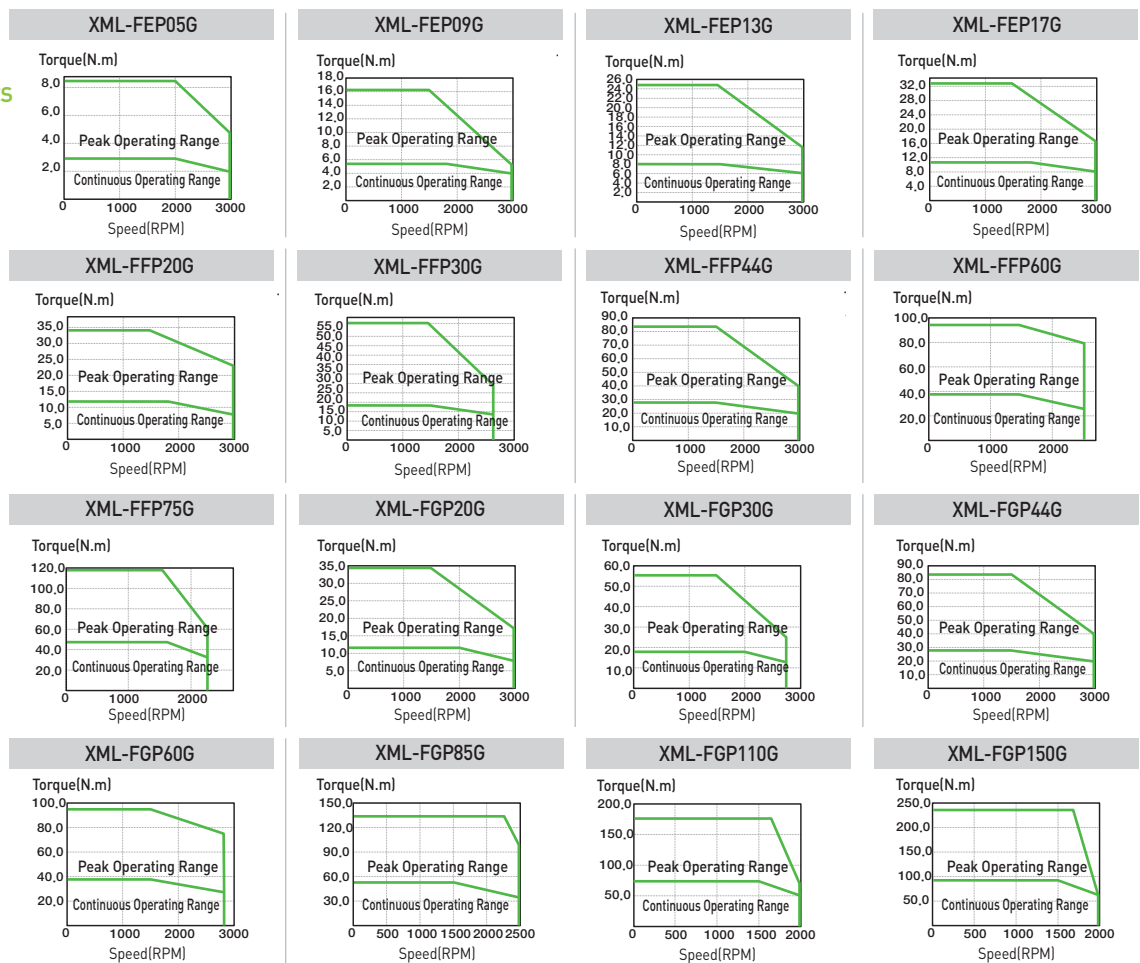
Motor Specifications [Rated 1500r/min]

Servo Motor (XML-□□□□)		FEP05G	FEP09G	FEP13G	FEP17G	FFP20G	FFP30G	FFP44G	FFP75G	FGP20G	FGP30G	FGP44G	FGP60G	FGP85G	FGP110G	FGP150G		
Applicable Drive		L7□B010□				L7□B020□				L7□B035□		L7□B050□		L7□B075□		L7□B150□		
Flange Size (□)		□130				□180				□220								
Rated Output	[kW]	0.45	0.85	1.3	1.7	1.8	2.9	4.4	6	7.5	1.8	2.9	4.4	6	8.5	11	15	
Rated Torque	[N · m]	2.86	5.41	8.28	10.82	11.46	18.46	28.01	38.2	47.75	11.46	18.46	28.01	38.2	54.11	70.03	95.49	
	[kgf · cm]	29.23	55.22	84.45	110.43	116.93	188.39	285.83	389.77	487.21	116.93	188.39	285.83	389.77	552.17	714.57	974.42	
Max. Instantaneous	[N · m]	8.59	16.23	24.83	32.47	34.38	55.39	84.03	95.49	119.37	34.38	55.39	84.03	95.49	135.28	175.07	238.73	
	[kgf · cm]	87.7	166.65	253.35	331.3	350.79	565.16	857.49	974.42	1,218.02	350.79	565.16	857.49	974.42	1,380.43	1,786.43	2,436.05	
Rated Current	[A]	3.28	3.50	5.39	7.01	7.56	10.14	15.68	20.23	20.01	7.76	9.65	17.11	20.38	28.24	28.28	35.71	
Max. Current	[A]	9.83	10.5	16.16	21.02	22.69	30.12	47.04	50.58	50.03	23.29	28.95	51.32	50.95	69.37	68.83	87.7	
Rated Speed	[r/min]	1500																
Max. Speed	[r/min]	3000				2700		3000	2500	2200	3000	2700	3000	2500	2000			
Inertia	[kg · m <sup>2</sup> × 10 <sup>-4</sup> ]	5.659	10.179	14.619	19.04	27.96	46.56	73.85	106.73	131.29	51.42	80.35	132.41	172.91	291.36	51.42	424.5	
	[gf · cm · s <sup>2</sup> ]	5.774	10.387	14.917	19.429	28.531	47.51	75.357	108.908	133.969	52.47	81.99	135.11	176.44	297.31	52.47	433.2	
Allowable Load Inertia Ratio		10 times of motor inertia								5 times of motor inertia								
Rated Power Rate	[kW/s]	14.5	28.77	46.85	61.52	46.96	73.21	106.25	136.7	173.64	25.53	45.39	61.97	102.08	100.5	168.3	214.8	
Speed/Position Detector	Standard <span style="color:red">Note1</span>	Serial Type 19[Bit]																
	Option	×																
Specifications & Features	Structure	Fully closed · Self cooling IP65 <span style="color:red">Note1</span>																
	Rated Time	Continuous																
	Ambient Temp	Operating : 0 ~ 40[°C] Storage : -10 ~ 60[°C]																
	Ambient Humidity	90[%]RH Below [avoid dew-condensation]																
	Atmosphere	Avoid direct sunlight, no corrosive gas, inflammable gas, oil mist, or dust.																
	E/V	Elevation/vibration 49[m/s <sup>2</sup> ][5G]																
Weight	[kg]	5.5	7.54	9.68	11.78	12.4	17.7	26.3	35.6	39.4	16.95	21.95	30.8	37.52	66.2	66.3	92.2	

Note1) Except for axis penetration, when you attach reducer to the motor, we don't guarantee IP for reducer. If you bend over specification designated in cable standard, it is difficult to guarantee IP marked. It can be satisfied protection grade when you use private cable only.

Servo Motor

Speed-Torque Characteristics

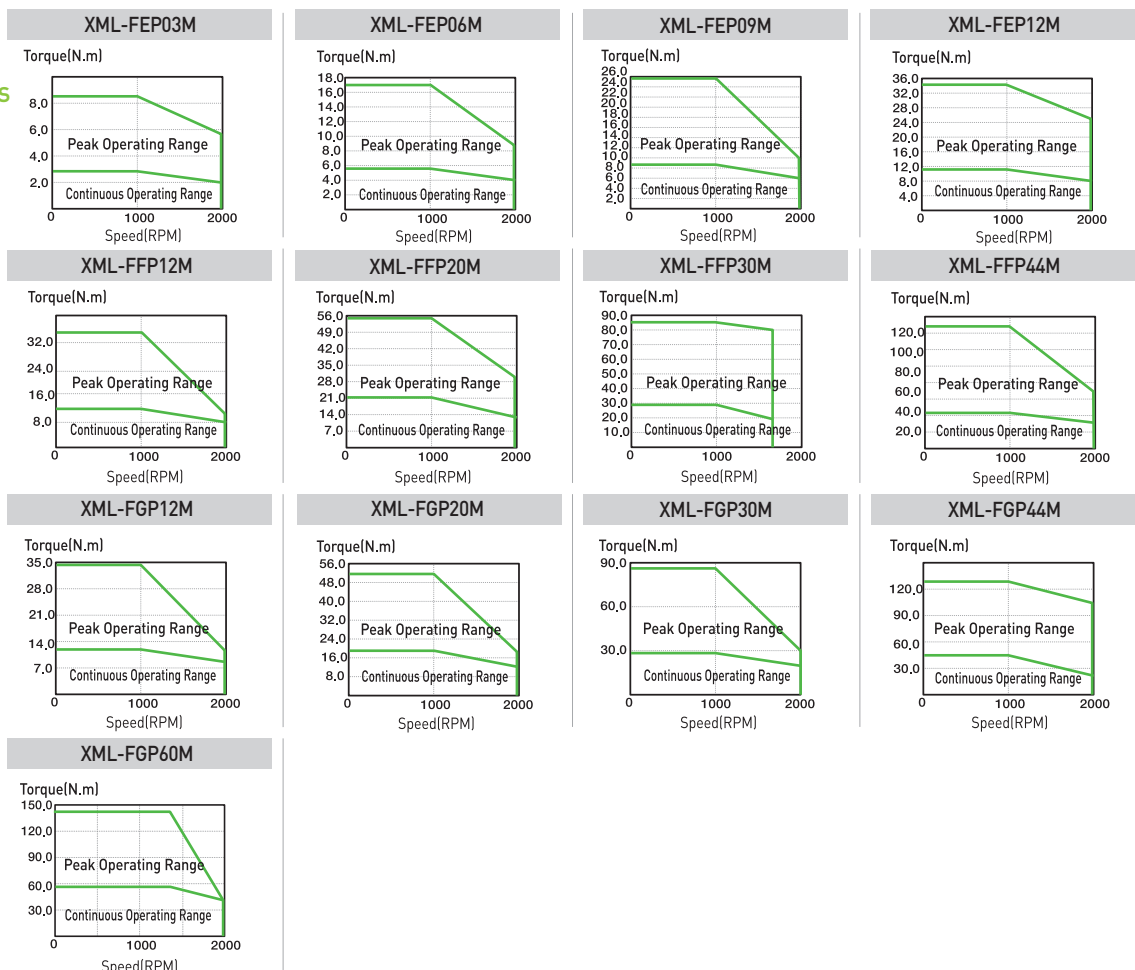


## Motor Specifications [Rated 1000r/min]

Servo Motor (XML-□□□□)		FEP03M	FEP06M	FEP09M	FEP12M	FFP12M	FFP20M	FFP30M	FFP44M	FGP12M	FGP20M	FGP30M	FGP44M	FGP60M
Applicable Drive		L7□B010□			L7□B020□			L7□B035□	L7□B050□	L7□B020□		L7□B035□	L7□B050□	L7□B075□
Flange Size(□)		□130				□180				□220				
Rated Output	[kW]	0.3	0.6	0.9	1.2	1.2	2	3	4.4	1.2	2	3	4.4	6.0
	[N · m]	2.86	5.73	8.59	11.46	11.46	19.1	28.65	42.02	11.46	19.1	28.65	42.02	57.30
Rated Torque	[kgf · cm]	29.23	58.47	87.7	116.93	116.93	194.88	292.33	428.74	116.93	194.88	292.33	428.74	584.65
	[N · m]	8.59	17.19	25.78	34.38	34.38	57.3	85.94	126.05	34.38	57.3	85.94	126.05	171.89
Max. Instantaneous	[kgf · cm]	87.7	175.4	263.09	350.79	350.79	584.65	876.98	1286.23	350.79	584.65	876.98	1,071.86	1,753.95
	[A]	3.28	3.28	3.33	4.87	4.83	7.94	11.9	16.69	4.75	7.88	11.74	17.39	22.93
Max.Current	[A]	9.83	9.83	9.99	14.6	14.5	23.83	35.7	50.08	14.24	235.64	35.22	52.18	69.37
Rated Speed	[r/min]	1000												
Max. Speed	[r/min]	2000						1700	2000					
	[kg · m <sup>2</sup> · X 10 <sup>-4</sup> ]	5.659	10.179	14.619	19.04	27.96	46.56	73.85	106.73	51.42	80.35	132.41	172.91	291.36
Inertia	[gf · cm · s <sup>2</sup> ]	5.774	10.387	14.917	19.429	28.531	47.51	75.357	108.908	52.47	81.99	135.11	176.44	297.31
	Allowable Load Inertia Ratio	10 times of motor inertia						5 times of motor inertia						
Rated Power Rate	[kW/s]	14.5	32.25	50.53	68.97	46.96	78.38	111.13	165.41	25.53	45.39	61.97	102.08	112.65
Speed/Position Detector	Standard <b>Note1</b>	Serial Type 19[Bit]												
	Option	×												
Specifications & Features	Structure	Fully closed · Self cooling IP65 <b>Note1</b>												
	Rated Time	Continuous												
	Ambient Temp	Operating : 0 ~ 40[°C] Storage : -10 ~ 60[°C]												
	Ambient Humidity	90[%]RH Below (avoid dew-condensation)												
	Atmosphere	Avoid direct sunlight, no corrosive gas, inflammable gas, oil mist, or dust.												
	E/V	Elevation/vibration 49[m/s <sup>2</sup> ][5G]												
Weight	[kg]	5.5	7.54	9.68	11.78	12.4	17.7	26.3	35.6	16.95	21.95	30.8	37.52	66.2

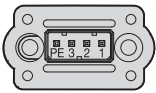
**Note1)** Except for axis penetration, when you attach reducer to the motor, we don't guarantee IP for reducer. If you bend over specification designated in cable standard, it is difficult to guarantee IP marked It can be satisfied protection grade when you use private cable only.

## Speed-Torque Characteristics



## FAL Series

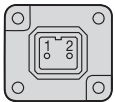
### Plug Specifications



#### Power

Pin No.	Color	Signal
1	Red	U
2	White	V
3	Black	W
4	Green	Ground

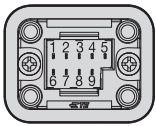
[Power Connector Pin Table]



#### Brake

Pin No.	Signal
1	BK+
2	BK-

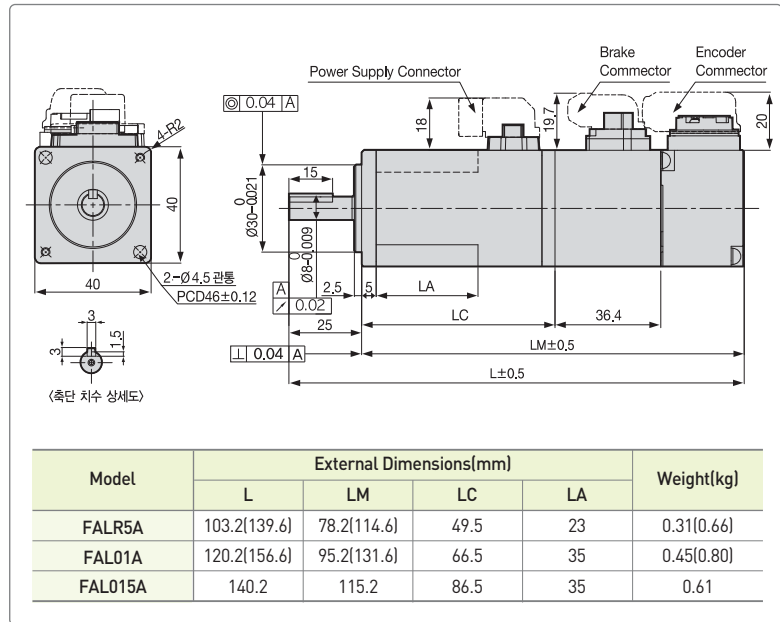
[Brake Connector Pin Table]



#### Encoder

Multi Turn (M)	
Pin No.	Signal
1	MA
2	SLO
3	-
4	OV
5	SHIELD
6	MA
7	SLO
8	-
9	+5V

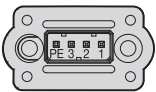
[Encoder Connector Pin Table]



Note1) Use DC[24V] for brake input power supply. Note2) The [ ] is for brake-attached type. Note3) For external dimensions for oil-sealed type. Please kindly contact us separately.

## FBL Series

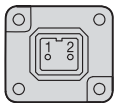
### Plug Specifications



#### Power

Pin No.	Color	Signal
1	Red	U
2	White	V
3	Black	W
4	Green	Ground

[Power Connector Pin Table]



#### Brake

Pin No.	Signal
1	BK+
2	BK-

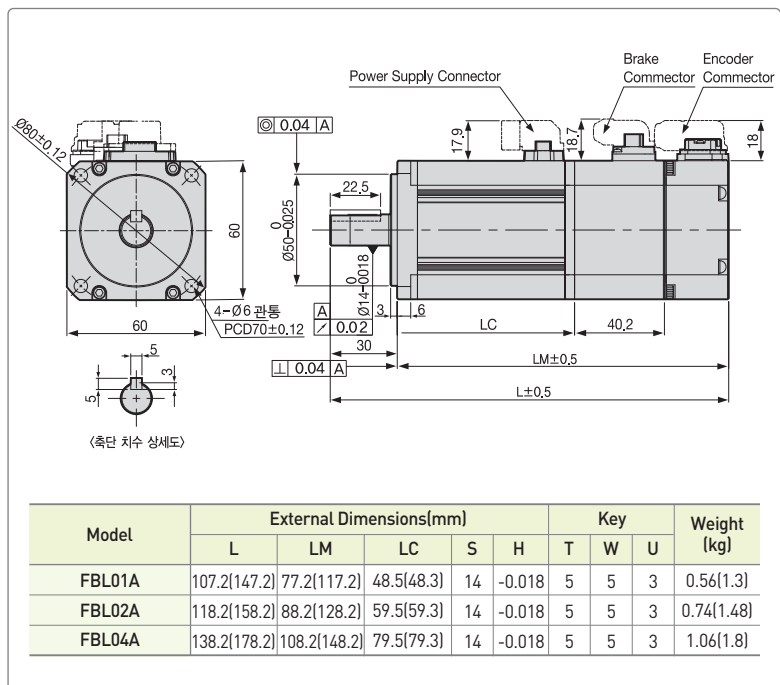
[Brake Connector Pin Table]



#### Encoder

Multi Turn (M)	
Pin No.	Signal
1	MA
2	SLO
3	GND_B
4	OV
5	SHIELD
6	MA
7	SLO
8	VDD_B
9	+5V

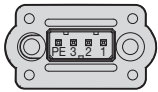
[Encoder Connector Pin Table]



Note1) Use DC[24V] for brake input power supply. Note2) The [ ] is for brake-attached type. Note3) For external dimensions for oil-sealed type. Please kindly contact us separately.

## FCL Series

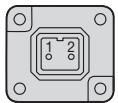
### Plug Specifications



#### Power

Pin No.	Color	Signal
1	Black	U
2	White	V
3	Red	W
PE	Green	Ground

(Power Connector Pin Table)



#### Brake

Pin No.	Signal
1	BK+
2	BK-

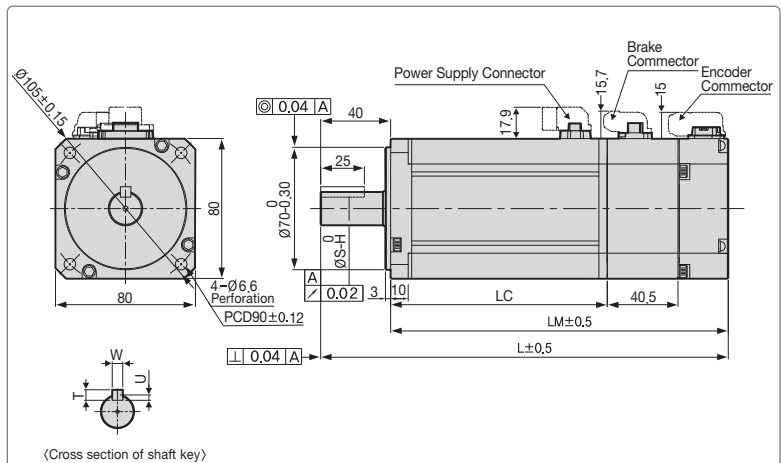
(Brake Connector Pin Table)



#### Encoder

Pin No.	Multi Turn (M)	
	Signal	
1	MA	
2	SLO	
3	GND_B	
4	OV	
5	SHIELD	
6	MA	
7	SLO	
8	VDD_B	
9	+5V	

(Encoder Connector Pin Table)



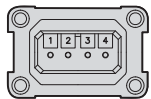
(Cross section of shaft key)

Model	External Dimensions(mm)							Weight(kg)	
	L	LM	LC	S	H	T	W		
FCL04A, FCL03D	138.7(179.5)	98.7(139.5)	70(69.8)	14	-0.018	5	5	3	1.52(2.32)/1.26(2.06)
FCL06A, FCL05D	156.7(197.5)	116.7(157.5)	88(87.8)	19	-0.021	6	6	3.5	2.14(2.94)/2.12(2.92)
FCL08A, FCL06D	174.7(215.5)	134.7(175.5)	106(105.8)	19	-0.021	6	6	3.5	2.68(3.48)/2.66(3.46)
FCL10A, FCL07D	192.7(233.5)	152.7(193.5)	124(123.8)	19	-0.021	6	6	3.5	3.30(4.10)/2.78(3.58)

Note1) Use DC[24V] for brake input power supply. Note2) The [ ] is for brake-attached type. Note3) For external dimensions for oil-sealed type. Please kindly contact us separately.

## FB Series

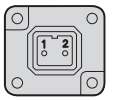
### Plug Specifications



#### Power

Pin No.	Color	Signal
1	Black	W
2	White	V
3	Red	U
4	Green	Ground

(Power Connector Pin Table)



#### Brake

Pin No.	Signal
1	BK+
2	BK-

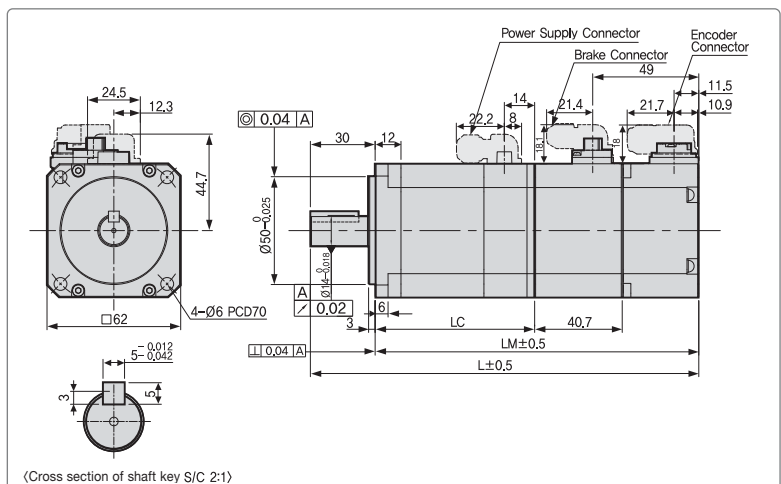
(Brake Connector Pin Table)



#### Encoder

Pin No.	Multi Turn (M)	
	Signal	
1	MA	
2	SLO	
3	GND_B	
4	OV	
5	SHIELD	
6	MA	
7	SLO	
8	VDD_B	
9	+5V	

(Encoder Connector Pin Table)



(Cross section of shaft key S/C 2:1)

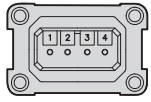
Model	External Dimensions(mm)			Weight(kg)
	L	LM	LC	
FB01A	109(149.2)	79(119.2)	43.5(43)	0.72(1.27)
FB02A	120(160.2)	90(130.2)	54.5(54)	0.94(1.49)
FB04A	140(180.2)	110(150.2)	74.5(74)	1.32(1.87)

Note1) Use DC[24V] for brake input power supply. Note2) The [ ] is for brake-attached type. Note3) For external dimensions for oil-sealed type. Please kindly contact us separately.



## FC Series

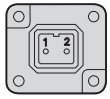
### Plug Specifications



#### Power

Pin No.	Color	Signal
1	Black	W
2	White	V
3	Red	U
4	Green	Ground

[Power Connector Pin Table]



#### Brake

Pin No.	Signal
1	BK+
2	BK-

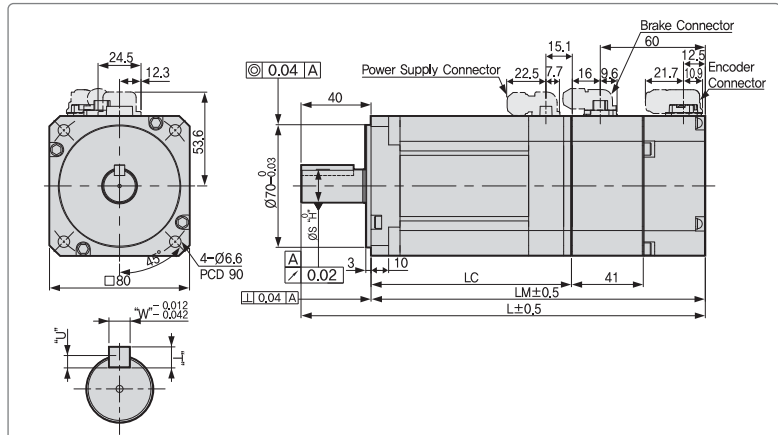
[Brake Connector Pin Table]



#### Encoder

Single Turn (N)		Multi Turn (M)	
Pin No.	Signal	Pin No.	Signal
1	MA	1	MA
2	SLO	2	SLO
3	-	3	GND_B
4	OV	4	OV
5	SHIELD	5	SHIELD
6	MA	6	MA
7	SLO	7	SLO
8	-	8	VDD_B
9	+5V	9	+5V

[Encoder Connector Pin Table]



(Cross section of shaft key S/C 2:1)

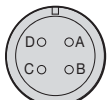
Model	External Dimensions(mm)							Weight(kg)	
	L	LM	LC	S	H	T	W		U
FC04A, FC03D	136.5(177)	96.5(137)	61(60.5)	14	-0.018	5	5	3	1.56(2.6)
FC06A, FC05D	154.5(195)	114.5(155)	79(78.5)	19	-0.021	6	6	3.5	2.18(3.22)
FC08A, FC06D	172.5(213)	132.5(173)	97(96.5)	19	-0.021	6	6	3.5	2.72(3.76)
FC10A, FC07D	190.5(231)	150.5(191)	115(114.5)	19	-0.021	6	6	3.5	3.80(4.34)

Note1) Use DC[24V] for brake input power supply. Note2) The [ ] is for brake-attached type. Note3) For external dimensions for oil-sealed type. Please kindly contact us separately.

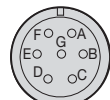
## FE, FEP Series

### Plug Specifications

#### [Power]



Spec.: MS3102A20-4P (Standard)



Spec.: MS3102A20-15P (Brake-attached type)

#### Power

Pin No.	Signal
A	U
B	V
C	W
D	Ground

Pin No.	Signal	Pin No.	Signal
A	U	D	Ground
B	V	E	BK+
C	W	F	BKPin

Pin No.	Signal	Pin No.	Signal
A	MA	M	-
B	MA	N	-
C	SLO	P	-
D	SLO	R	-
E	-	H	+5V
F	-	G	OV
K	-	J	SHIELD
L	-	-	-

[Single Turn Encoder Connector Pin Table]

#### [Encoder]

##### Serial type

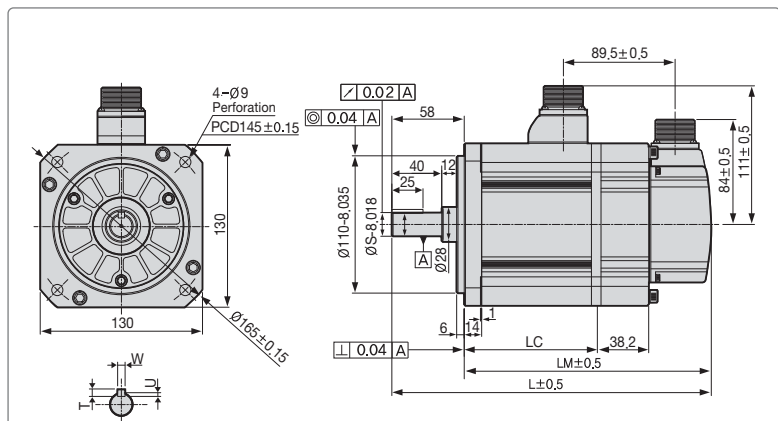


Spec.: MS3102A20-29P

#### Encoder

Pin No.	Signal	Pin No.	Signal
A	MA	M	-
B	MA	N	-
C	SLO	P	-
D	SLO	R	-
E	VDD_B	H	+5V
F	GND_B	G	OV
K	-	J	SHIELD
L	-	-	-

[Multi Turn Encoder Connector Pin Table]



(Cross section of shaft key)

Model	External Dimensions(mm)							Key	Weight(kg)
	L	LM	LC	S	T	W	U		
FE09A, FE06D, FE05G, FE03M, FEP09A, FEP06D, FEP05G, FEP03M	197.3(235.3)	139.3(177.3)	89.8(89.6)	19	5	5	3	5.04(6.58)	
FE15A, FE11D, FE09G, FE06M, FEP15A, FEP11D, FEP09G, FEP06M	217.3(255.3)	159.3(197.3)	109.8(109.6)	19	5	5	3	6.74(8.28)	
FE22A, FE16D, FE13G, FE09M, FEP22A, FEP16D, FEP13G, FEP09M	237.3(275.3)	179.3(217.3)	129.8(129.6)	22	6	6	3.5	8.48(10.02)	
FE30A, FE22D, FE17G, FE12M, FEP30A, FEP22D, FEP17G, FEP12M	255.3(293.3)	197.3(235.3)	147.8(147.6)	24	7	8	4	10.05(11.59)	

Note1) Use DC[24V] for brake input power supply. Note2) The [ ] is for brake-attached type.

## FF, FFP Series

### Plug Specifications

#### [Power]



Spec.: MS3102A22-22P  
(Standard)



Spec.: MS3102A24-10P  
(Brake-attached type)

#### [Encoder]

#### Serial type



Spec.: MS3102A20-29P

#### Power

Pin No.	Signal
A	U
B	V
C	W
D	Ground

Pin No.	Signal	Pin No.	Signal
A	U	D	Ground
B	V	E	BK+
C	W	F	BK-

#### Encoder

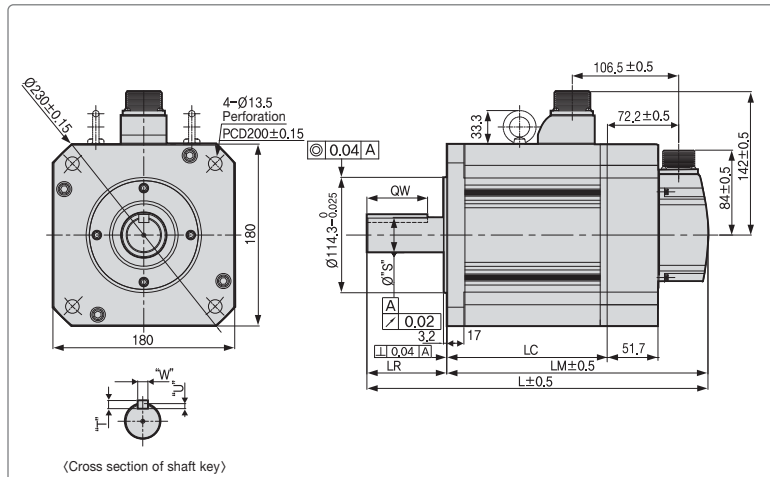
Pin No.	Signal	Pin No.	Signal
A	MA	M	-
B	MA	N	-
C	SLO	P	-
D	SLO	R	-
E	-	H	+5V
F	-	G	0V
K	-	J	SHIELD
L	-		

(Single Turn Encoder Connector Pin Table)

Pin No.	Signal	Pin No.	Signal
A	MA	M	-
B	MA	N	-
C	SLO	P	-
D	SLO	R	-
E	VDD_B	H	+5V
F	GND_B	G	0V
K	-	J	SHIELD
L	-		

(Multi Turn Encoder Connector Pin Table)

- Note1) FF30M or above models have eye bolts.
- Note2) Use DC[24V] for brake input power supply.
- Note3) The ( ) is for brake-attached type.
- Note4) Use MS3102A32-17 for FF75G Power connector.



Model	External Dimensions(mm)				Key					Weight(kg)
	L	LM	LC	LR	S	QW	T	W	U	
FF30A, FF22D, FF20G, FF12M FFP30A, FFP22D, FFP20G, FFP12M	257.5(308.9)	178.5(229.9)	129(128.7)							12.5(19.7)
FF50A, FF35D, FF30G, FF20M FFP50A, FFP35D, FFP30G, FFP20M	287.5(338.9)	208.5(259.9)	159(158.7)		35 <sup>+0.01</sup> <sub>0</sub>	60	10			17.4(24.6)
FF55D, FF44G, FF30M FFP55D, FFP44G, FFP30M	331.5(382.9)	252.5(303.9)	203(202.7)	79		8		5		25.2(32.4)
FF75D, FF60G, FF44M FFP75D, FFP60G, FFP44M	384.5(435.9)	305.5(356.9)	256(255.7)		42 <sup>-0</sup> <sub>0.016</sub>		12			33.8(41.0)
FF75G, FFP75G	439.5	326.5	277	113		96				38.5(45.7)

## FG, FGP Series

### Plug Specifications

#### [Power]



Spec.: MS3102A22-22P  
(Standard)



Spec.: 3102A14-7P  
(Brake-attached type)

#### [Encoder]

#### Serial type



Spec.: MS3102A20-29P

#### Power

Pin No.	Signal
A	U
B	V
C	W
D	Ground

Pin No.	Signal
A	BK+
B	BK-
C	NC

#### Encoder

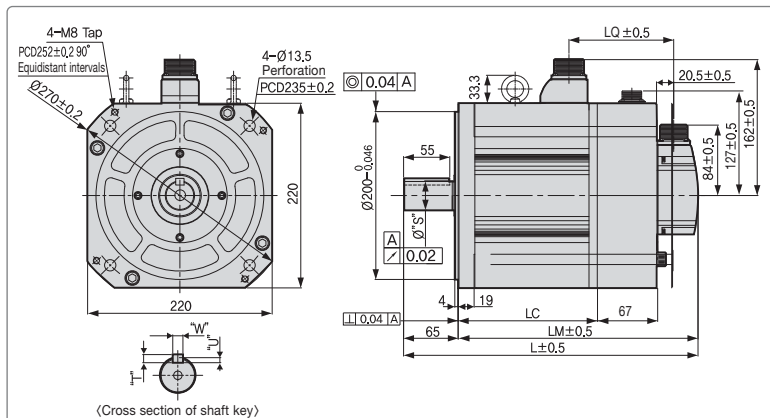
Pin No.	Signal	Pin No.	Signal
A	MA	M	-
B	MA	N	-
C	SLO	P	-
D	SLO	R	-
E	-	H	+5V
F	-	G	0V
K	-	J	SHIELD
L	-		

(Single Turn Encoder Connector Pin Table)

Pin No.	Signal	Pin No.	Signal
A	MA	M	-
B	MA	N	-
C	SLO	P	-
D	SLO	R	-
E	VDD_B	H	+5V
F	GND_B	G	0V
K	-	J	SHIELD
L	-		

(Multi Turn Encoder Connector Pin Table)

- Note1) In case of SG, use DC[90V] for brake input power supply. Note2) The ( ) is for brake-attached type.

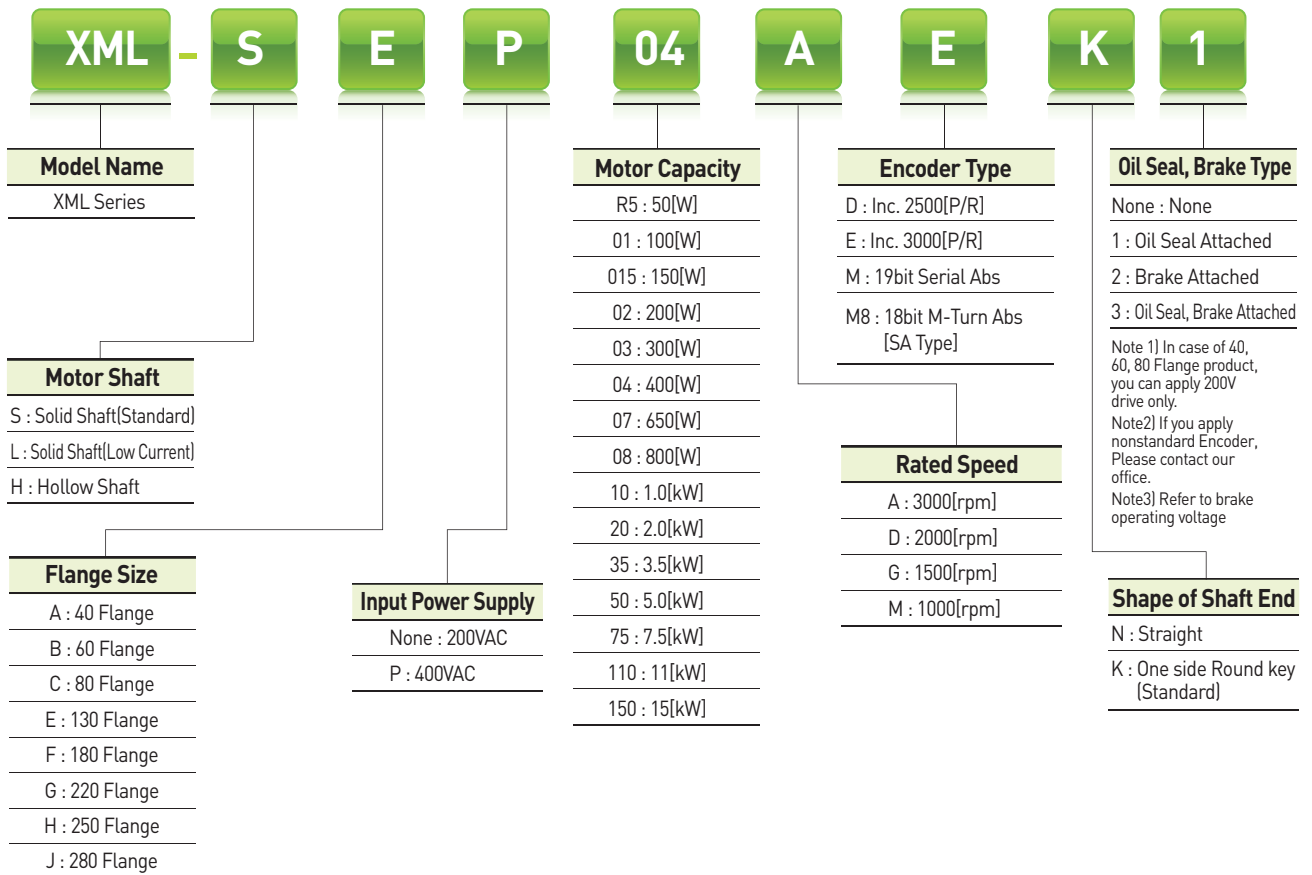


Model	External Dimensions(mm)			Key					Weight(kg)
	L	LM	LC	S	T	W	U		
FG22D, FG20G, FG12M FGP22D, FGP20G, FGP12M	229.5(295.7)	164.5(230.7)	115(114.2)					15.42(29.23)	
FG35D, FG30G, FG20M FGP35D, FGP30G, FGP20M	250.5(316.7)	185.5(251.7)	136(135.2)	35 <sup>+0.01</sup> <sub>0</sub>	8	10	5	20.22(34.03)	
FG55D, FG44G, FG30M FGP55D, FGP44G, FGP30M	282.5(348.7)	217.5(283.7)	168(167.2)					28.02(41.83)	
FG75D, FG60G, FG44M FGP75D, FGP60G, FGP44M	304.5(370.7)	239.5(305.7)	190(189.2)	42 <sup>-0</sup> <sub>0.016</sub>		12		33.45(47.26)	

## Servo Motor Designation



Servo Motor

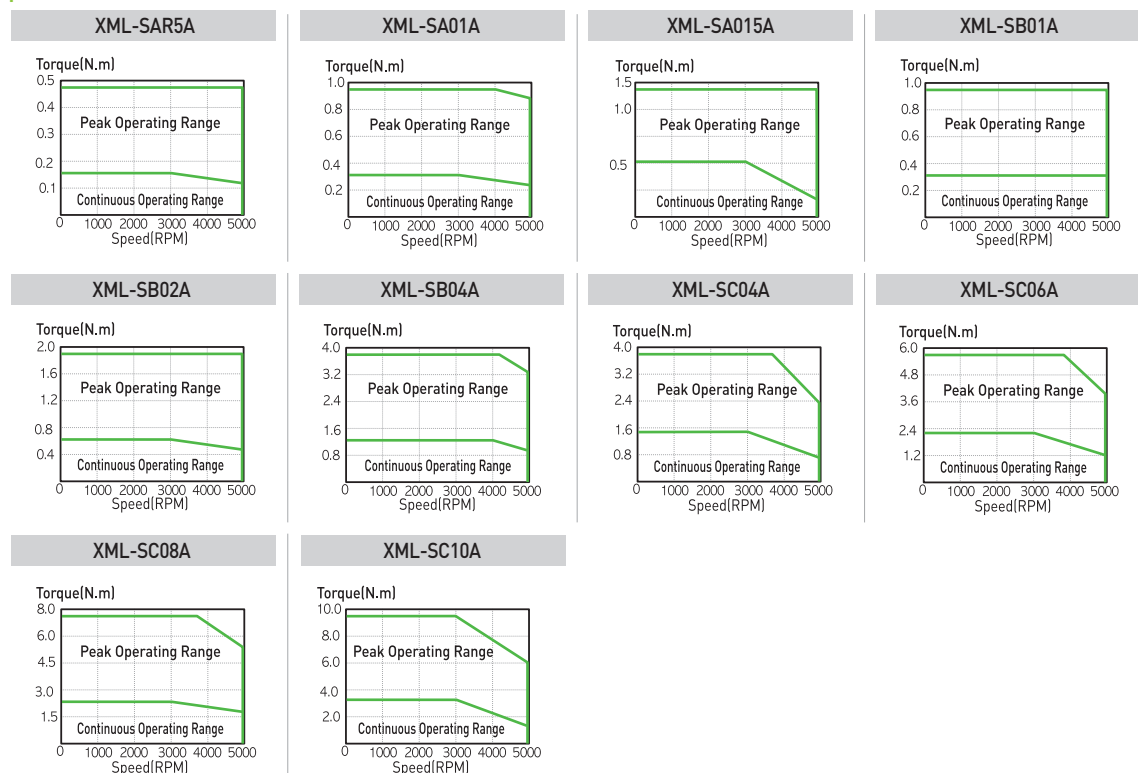


## Motor Specifications [Rated 3000r/min]

Servo Motor [XML-□□□□]		SAR5A	SA01A	SA015A	SB01A	SB02A	SB04A	SC04A	SC06A	SC08A	SC10A
Applicable Drive [L7□A□□]		L7□A001		L7□A004	L7□A002		L7□A004		L7□A008		L7□A010
Flange Size[□]		□40			□60			□80			
Rated Output	[kW]	0.05	0.1	0.15	0.1	0.2	0.4	0.4	0.6	0.8	1
Rated Torque	[N · m]	0.16	0.32	0.48	0.32	0.64	1.27	1.27	1.91	2.55	3.19
	[kgf · cm]	1.62	3.25	4.87	3.25	6.49	12.99	12.99	19.49	25.98	32.48
Max. Instantaneous	[N · m]	0.48	0.96	1.43	0.96	1.91	3.82	3.82	5.73	7.64	9.56
	[kgf · cm]	4.87	9.74	14.62	9.74	19.48	38.96	38.96	58.47	77.95	97.43
Rated Current	[A]	1.2	1.38	1.73	1.65	1.63	2.89	2.82	3.58	4.83	5.37
Max. Current	[A]	3.6	4.14	5.19	4.95	4.89	8.67	8.46	10.74	14.49	16.11
Rated Speed	[r/min]	3000									
Max. Speed	[r/min]	5000									
Inertia	[kg · m <sup>2</sup> × 10 <sup>-4</sup> ]	0.02	0.05	0.06	0.11	0.18	0.32	0.67	1.09	1.51	1.93
	[gf · cm · s <sup>2</sup> ]	0.02	0.05	0.07	0.12	0.19	0.33	0.69	1.11	1.54	1.97
Allowable Load Inertia Ratio		30 times of motor inertia			20 times of motor inertia			15 times of motor inertia			
Rated Power Rate	[kW/s]	10.55	23.78	35.34	8.89	22.26	50.49	24.05	33.39	43.02	52.57
Speed/Position Detector	Standard <small>Note1</small>	Quad.Type Incremental 2048[P/R]				Quad.Type Incremental 3000[P/R]					
	Option	Serial Type 18[Bit]				Serial Type 19[Bit]					
Specifications & Features	Structure	Fully closed · Self cooling IP55 <small>Note1</small>					Fully closed · Self cooling IP65 <small>Note1</small>				
	Rated Time	Continuous									
	Ambient Temp	Operating : 0 ~ 40[°C] Storage : -10 ~ 60[°C]									
	Ambient Humidity	20 ~ 80[%] (avoid dew-condensation)									
	Atmosphere	Avoid direct sunlight, no corrosive gas, inflammable gas, oil mist, or dust.									
	E/V	Elevation/vibration 49[m/s <sup>2</sup> ][5G]									
Weight	[kg]	0.38	0.5	0.7	0.82	1.08	1.58	1.88	2.52	3.15	3.80

Note1 Except for axis penetration, when you attach reducer to the motor, we don't guarantee IP for reducer. If you bend over specification designated in cable standard, it is difficult to guarantee IP marked. It can be satisfied protection grade when you use private cable only.

## Speed-Torque Characteristics



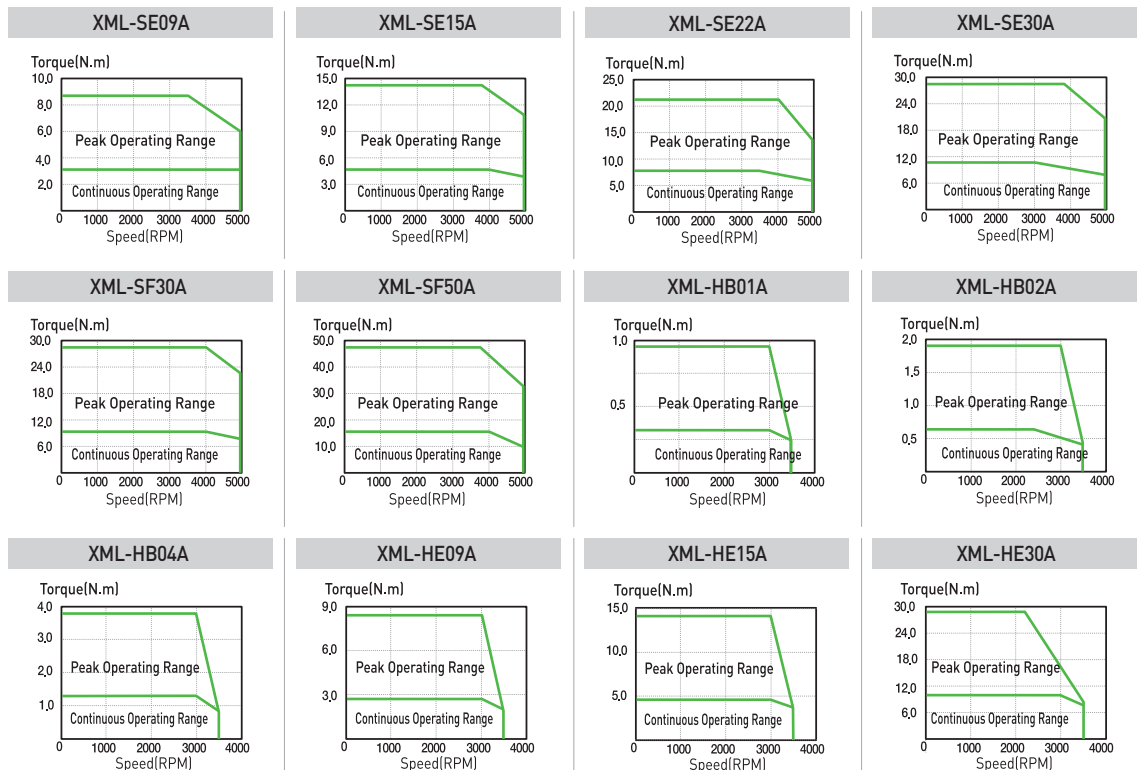
### Motor Specifications [Rated 3000r/min]

Servo Motor (XML-□□□□)		SE09A	SE15A	SE22A	SE30A	SF30A	SF50A	HB01A	HB02A	HB04A	HE09A	HE15A	HE30A
Applicable Drive (L7□A□□)		L7□A008	L7□A020	L7□A050	L7□A035	L7□A050	L7□A002	L7□A004	L7□A008	L7□A020	L7□A035	L7□A008	L7□A035
Flange Size(□)		□130			□180		□60			□130			
Rated Output	[kW]	0.9	1.5	2.2	3	3	5	0.1	0.2	0.4	0.9	1.5	3
Rated Torque	[N · m]	2.86	4.77	7	9.55	9.55	15.91	0.32	0.64	1.27	2.86	4.77	9.55
	[kgf · cm]	29.23	48.72	71.45	97.43	97.43	162.38	3.25	6.49	12.99	29.23	48.72	97.43
Max. Instantaneous	[N · m]	8.59	14.32	21.01	28.64	28.64	47.74	0.96	1.91	3.82	8.59	14.32	28.64
	[kgf · cm]	87.69	146.15	214.35	292.29	292.29	487.15	9.74	19.48	38.96	87.69	146.15	292.29
Rated Current	[A]	4.95	8.23	11.98	17.16	16.7	27.4	1.65	1.63	2.89	4.95	8.23	17.16
Max. Current	[A]	14.85	24.69	35.94	51.48	50.1	82.2	4.95	4.89	8.67	14.85	24.69	51.48
Rated Speed	[r/min]	3000											
Max. Speed	[r/min]	5000						3500			3500		
Inertia	[kg · m <sup>2</sup> × 10 <sup>-4</sup> ]	6.66	12	17.34	22.68	30.74	52.13	0.27	0.33	0.46	19.56	22.27	31.81
	[gf · cm · s <sup>2</sup> ]	6.8	12.24	17.69	23.14	31.37	53.19	0.27	0.34	0.47	19.96	22.72	32.46
Allowable Load Inertia Ratio		10 times of motor inertia				5 times of motor inertia		20 times of motor inertia			10 times of motor inertia		
Rated Power Rate	[kW/s]	12.32	18.99	28.28	40.20	29.66	48.58	3.34	11.98	34.47	4.10	10.01	22.03
Speed/Position Detector	Standard <span style="color:red">Note1</span>	Quad. Type Incremental 3000[P/R]						Quad.Type Incremental 1024[P/R]			Quad.Type Incremental 2048[P/R]		
	Option	Serial Type 19[Bit]						X					
Specifications & Features	Structure	Fully closed · Self cooling IP65 <span style="color:red">Note1</span>						Fully closed · Self cooling IP55 <span style="color:red">Note1</span>					
	Rated Time	Continuous											
	Ambient Temp	Operating : 0 ~ 40[°C] Storage : -10 ~ 60[°C]											
	Ambient Humidity	90[%]RH Below (avoid dew-condensation)											
	Atmosphere	Avoid direct sunlight, no corrosive gas, inflammable gas, oil mist, or dust.											
	E/V	Elevation/vibration 49[m/s2][5G]											
Weight	[kg]	5.5	7.5	9.7	11.8	12.4	17.7	0.9	1.2	1.7	5.8	7.4	

Note1] Except for axis penetration, when you attach reducer to the motor, we don't guarantee IP for reducer. If you bend over specification designated in cable standard, it is difficult to guarantee IP marked It can be satisfied protection grade when you use private cable only.

Servo Motor

### Speed-Torque Characteristics

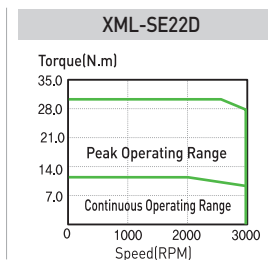
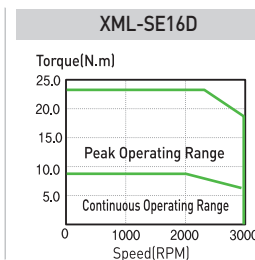
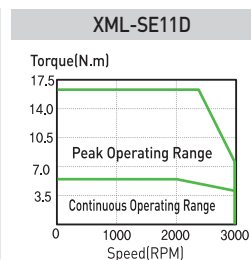
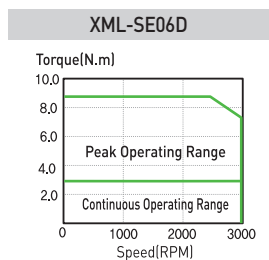
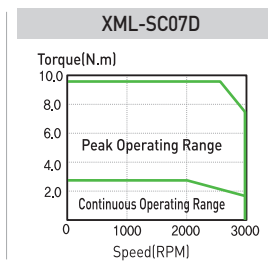
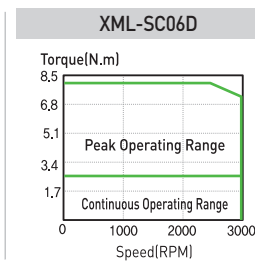
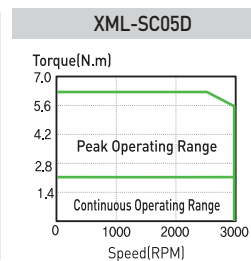
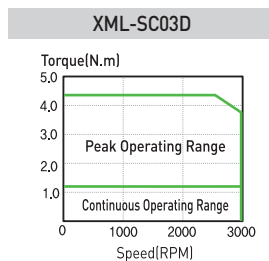


## Motor Specifications [Rated 2000r/min]

Servo Motor [XML-□□□□]		SC03D	SC05D	SC06D	SC07D	SE06D	SE11D	SE16D	SE22D	
Applicable Drive [L7□A□□]		L7□A004	L7□A008			L7□A008	L7□A010	L7□A020		
Flange Size[□]		□80				□130				
Rated Output	[kW]	0.3	0.45	0.55	0.65	0.6	1.1	1.6	2.2	
	[N · m]	1.43	2.15	2.63	3.1	2.86	5.25	7.64	10.5	
Rated Torque	[kgf · cm]	14.61	21.92	26.79	31.66	29.23	53.59	77.94	107.17	
	[N · m]	4.3	6.45	7.88	9.31	8.59	15.75	22.92	31.51	
Max. Instantaneous	[kgf · cm]	43.84	65.77	80.38	94.99	87.69	160.76	233.83	321.52	
	[A]	2.59	3.23	3.82	4.42	3.97	6.28	9.23	12.37	
Max.Current	[A]	7.77	9.69	11.46	13.26	11.91	18.84	27.69	37.11	
Rated Speed	[r/min]	2000								
Max. Speed	[r/min]	3000								
Inertia	[kg · m <sup>2</sup> X10 <sup>-4</sup> ]	0.67	1.09	1.51	1.93	6.66	12	17.34	22.68	
	[gf · cm · s <sup>2</sup> ]	0.69	1.11	1.54	1.97	6.8	12.24	17.69	23.14	
Allowable Load Inertia Ratio		15 times of motor inertia				10 times of motor inertia				
Rated Power Rate	[kW/s]	30.43	42.27	45.69	49.97	12.32	22.98	33.65	48.64	
Speed/Position Detector	Standard <span style="color:red">Note1</span>	Quad. Type Incremental 3000[P/R]								
	Option	Serial Type 19[Bit]								
Specifications & Features	Structure	Fully closed · Self cooling IP65 <span style="color:red">Note1</span>								
	Rated Time	Continuous								
	Ambient Temp	Operating : 0 ~ 40[°C] Storage : -10 ~ 60[°C]								
	Ambient Humidity	90[%]RH Below (avoid dew-condensation)								
	Atmosphere	Avoid direct sunlight, no corrosive gas, inflammable gas, oil mist, or dust.								
	E/V	Elevation/vibration 49[m/s <sup>2</sup> ][5G]								
Weight	[kg]	1.9	2.5	3.2	3.9	5.5	7.5	9.7	11.8	

Note1) Except for axis penetration, when you attach reducer to the motor, we don't guarantee IP for reducer. If you bend over specification designated in cable standard, it is difficult to guarantee IP marked. It can be satisfied protection grade when you use private cable only.

## Speed-Torque Characteristics

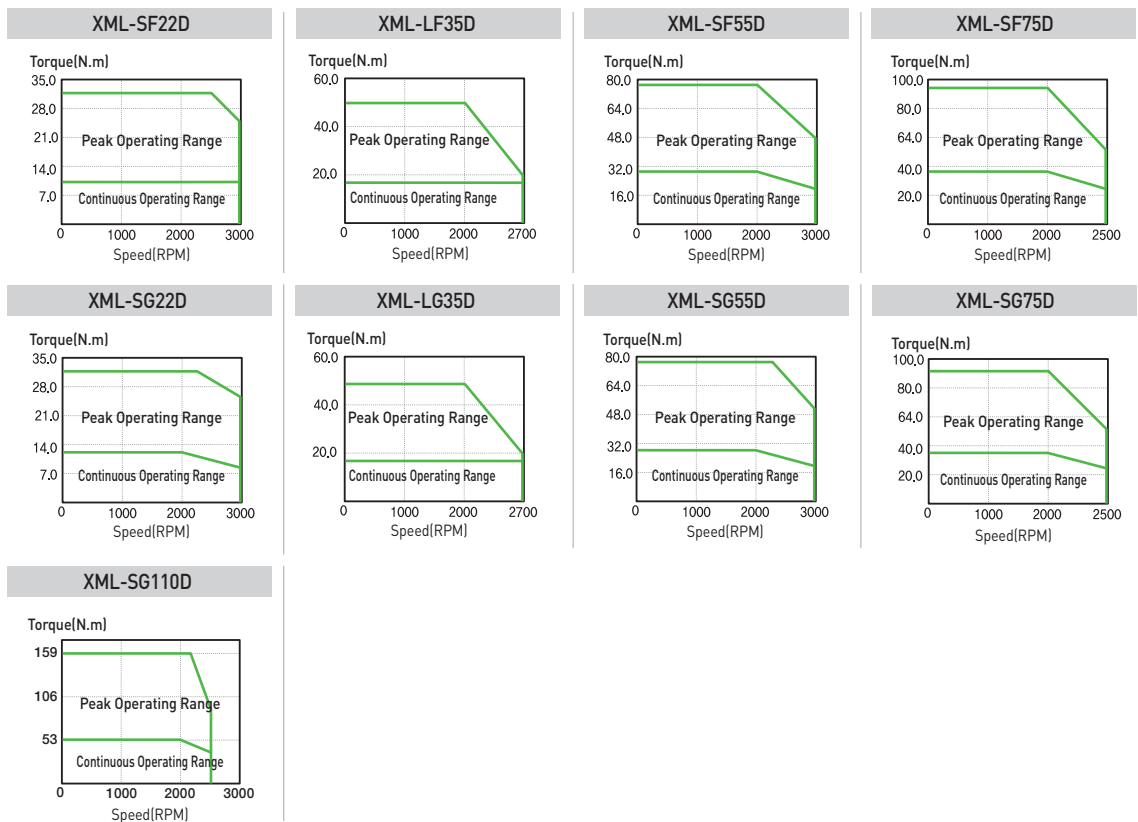


Motor Specifications [Rated 2000r/min]

Servo Motor (XML-□□□□)	SF22D	LF35D	SF55D	SF75D	SG22D	LG35D	SG55D	SG75D	SG110D	
Applicable Drive (L7□A□□)	L7□A020	L7□A035	L7□A050	L7□A075	L7□A020	L7□A035	L7□A050	L7□A075	L7□A150	
Flange Size(□)	□180				□220					
Rated Output [kW]	2.2	3.5	5.5	7.5	2.2	3.5	5.5	7.5	11	
Rated Torque	[N · m]	10.5	16.71	26.26	35.81	10.5	16.71	26.26	35.81	52.5
	[kgf · cm]	107.17	170.5	267.93	365.36	107.2	170.52	267.9	365.4	535.9
Max. Instantaneous	[N · m]	31.51	50.13	78.77	89.51	31.51	50.13	78.77	89.51	157.55
	[kgf · cm]	321.52	511.51	803.8	913.41	321.52	511.51	803.8	913.4	1607.60
Rated Current [A]	13.5	15.85	30.25	34.6	12.3	16.05	30.25	35.49	51.39	
Max. Current [A]	40.5	47.55	90.75	86.5	36.9	48.15	90.75	88.73	154.17	
Rated Speed [r/min]	2000									
Max. Speed [r/min]	3000			2500	3000			2500		
Inertia	[kg · m <sup>2</sup> X10 <sup>-4</sup> ]	30.74	52.13	83.6	121.35	51.42	80.35	132.41	172.91	291.36
	[gf · cm · s <sup>2</sup> ]	31.35	53.16	85.31	123.74	52.47	81.99	135.11	176.44	297.31
Allowable Load Inertia Ratio	5 times of motor inertia									
Rated Power Rate [kW/s]	35.88	53.56	82.56	105.75	21.45	34.75	52.07	74.15	94.65	
Speed/Position Detector	Standard <span style="color:red">Note1</span>	Quad. Type Incremental 3000[P/R]								
	Option	Serial Type 19[Bit]								
Specifications & Features	Structure	Fully closed · Self cooling IP65 <span style="color:red">Note1</span>								
	Rated Time	Continuous								
	Ambient Temp	Operating : 0 ~ 40[°C] Storage : -10 ~ 60[°C]								
	Ambient Humidity	90[%]RH Below (avoid dew-condensation)								
	Atmosphere	Avoid direct sunlight, no corrosive gas, inflammable gas, oil mist, or dust.								
	E/V	Elevation/vibration 49[m/s <sup>2</sup> ][5G]								
Weight [kg]	12.4	17.7	26.3	35.6	17	22	30.8	37.5	66.2	

Note1) Except for axis penetration, when you attach reducer to the motor, we don't guarantee IP for reducer. If you bend over specification designated in cable standard, it is difficult to guarantee IP marked. It can be satisfied protection grade when you use private cable only.

Speed-Torque Characteristics

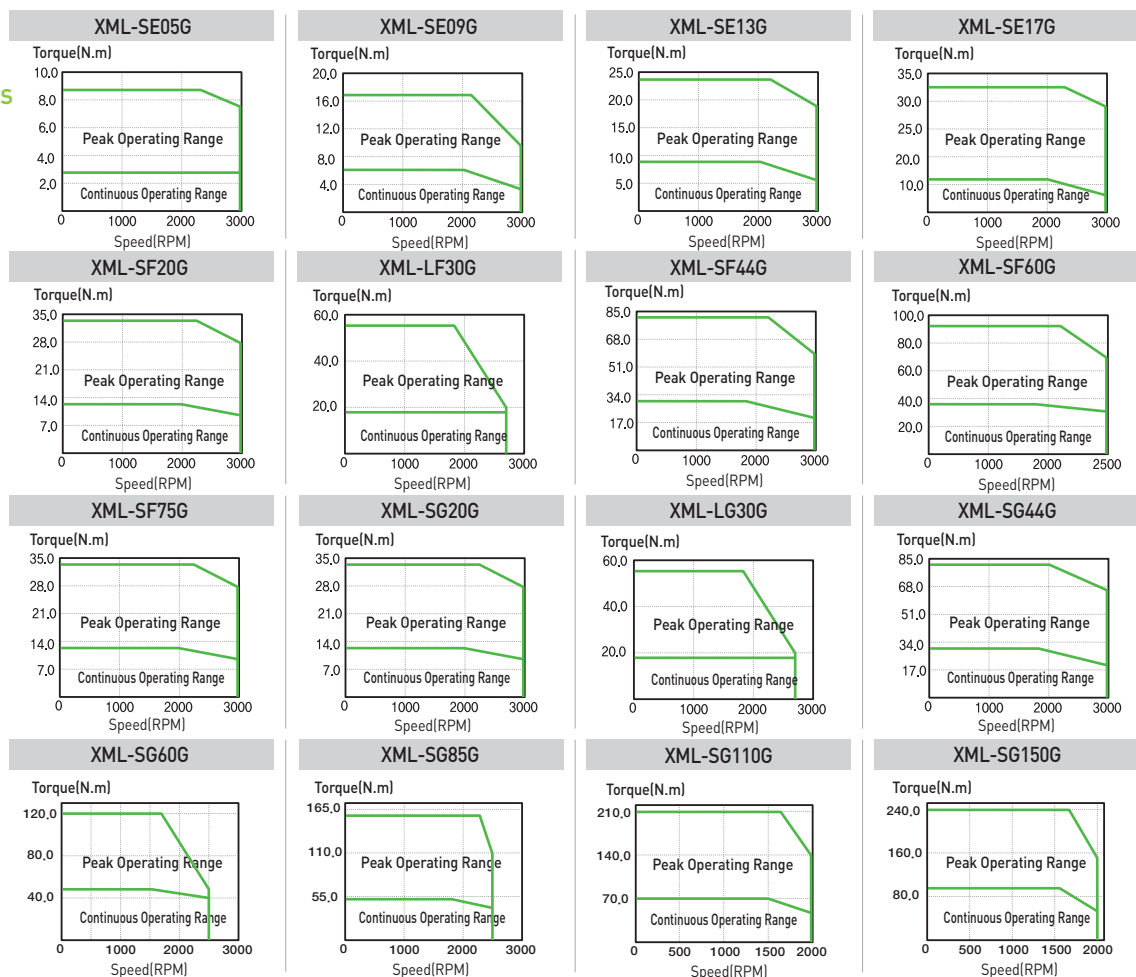


## Motor Specifications [Rated 1500r/min]

Servo Motor [XML-□□□□]	SE05G	SE09G	SE13G	SE17G	SF20G	LF30G	SF44G	SF60G	SF75G	SG20G	LG30G	SG44G	SG60G	SG85G	SG110G	SG150G	
Applicable Drive [L7□A□□]	L7□A008	L7□A010	L7□A020		L7□A035	L7□A050	L7□A075	L7□A020	L7□A035	L7□A050	L7□A075				L7□A150		
Flange Size[□]	□ 130				□ 180				□ 220								
Rated Output [kW]	0.45	0.85	1.3	1.7	1.8	2.9	4.4	6	7.5	1.8	2.9	4.4	6	8.5	11	15	
Rated Torque	[N · m]	2.86	5.41	8.28	10.82	11.46	18.46	28.01	38.19	47.74	11.46	18.46	28.01	38.19	54.11	69.99	95.45
	[kgf · cm]	29.23	55.21	84.44	110.42	116.92	188.37	285.8	389.7	487.2	116.92	188.37	285.8	389.7	552.1	714.2	974
	[N · m]	8.59	16.23	24.83	32.46	34.37	55.38	84.02	95.48	119.35	34.47	55.38	84.02	95.48	162.32	209.97	283.63
Max. Instantaneous	[kgf · cm]	87.69	165.63	253.32	331.26	350.75	565.1	857.39	974.3	1217.90	350.8	565.1	857.39	974.3	1656.30	2142.60	2435
	[N · m]	3.97	6.47	10	12.75	14.7	15.92	31.75	38	45.6	13.1	16.19	31.5	38	52.94	59.3	75.6
Max.Current [A]	11.91	19.41	30	38.25	44.1	47.64	95.25	102	114	39.3	48.57	94.5	102	158.82	177.9	189	
Rated Speed [r/min]	1500																
Max. Speed [r/min]	3000				2700		3000	2500		3000		2700	3000	2500	2500	2000	2000
Inertia	[kg · m <sup>2</sup> ×10 <sup>-4</sup> ]	6.66	12	17.34	22.68	30.74	52.13	83.6	121.35	143.82	51.42	80.35	132.41	172.91	291.36	291.36	424.57
	[gf · cm · s <sup>2</sup> ]	6.8	12.24	17.69	23.14	31.37	53.19	85.31	123.83	146.76	52.47	81.99	135.11	176.44	297.31	297.31	416.08
Allowable Load Inertia Ratio	10 times of motor inertia				5 times of motor inertia												
Rated Power Rate [kW/s]	12.32	24.4	39.49	51.63	42.71	65.37	93.83	120.21	158.47	25.53	42.41	59.24	84.36	100.27	168.27	223.44	
Speed/Position Detector	Standard <b>Note1</b>	Quad.Type Incremental 3000[P/R]															
	Option	Serial Type 19[Bit]															
Specifications & Features	Structure	Fully closed · Self cooling IP65 <b>Note1</b>															
	Rated Time	Continuous															
	Ambient Temp	Operating : 0 ~ 40[°C] Storage : -10 ~ 60[°C]															
	Ambient Humidity	90[%]RH Below (avoid dew-condensation)															
	Atmosphere	Avoid direct sunlight, no corrosive gas, inflammable gas, oil mist, or dust.															
	E/V	Elevation/vibration 49[m/s <sup>2</sup> ][5G]															
Weight [kg]	5.5	7.5	9.7	11.8	12.4	17.7	26.3	35.6	39.4	17	22	30.8	37.52	66.2	66.3	92.2	

**Note1)** Except for axis penetration, when you attach reducer to the motor, we don't guarantee IP for reducer. If you bend over specification designated in cable standard, it is difficult to guarantee IP marked. It can be satisfied protection grade when you use private cable only.

## Speed-Torque Characteristics





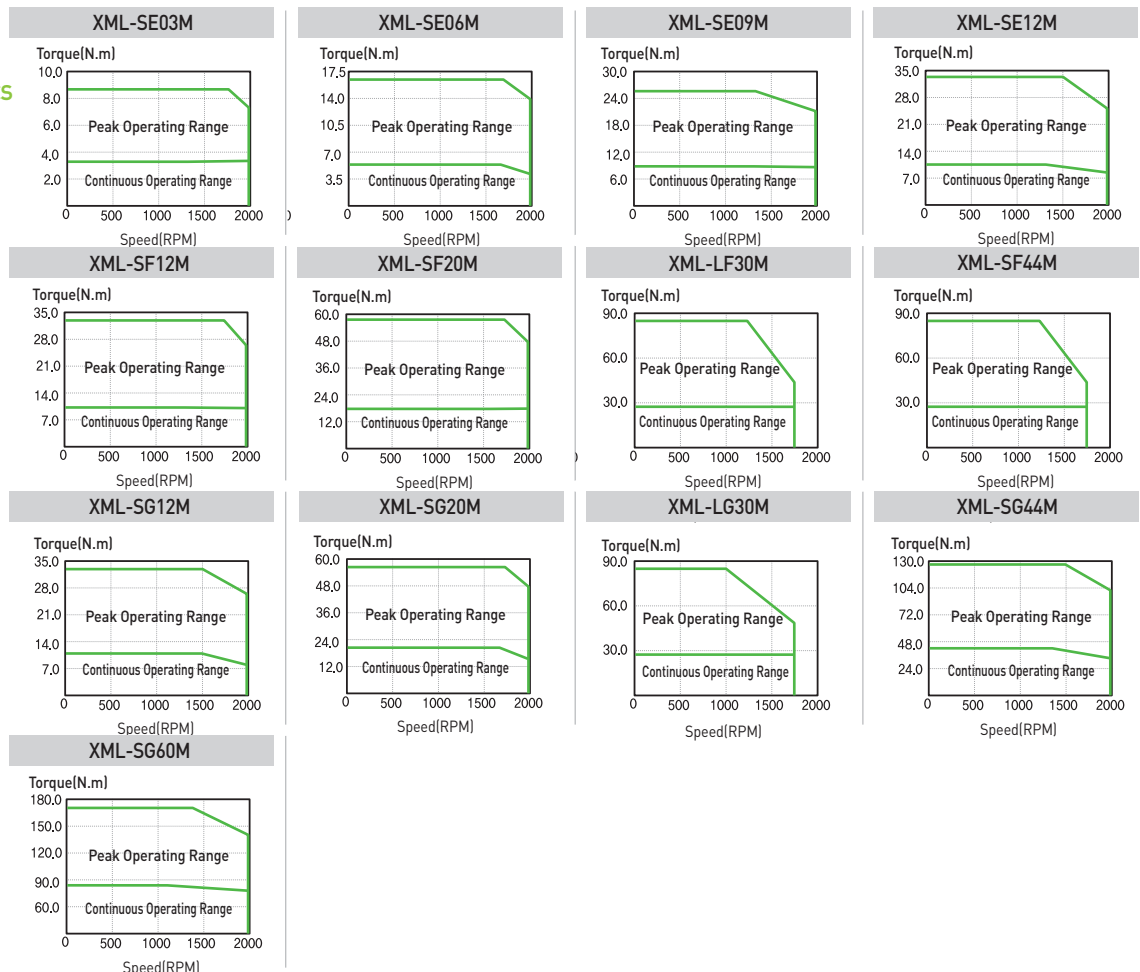
Motor Specifications [Rated 1000r/min]

Servo Motor (XML-□□□□)		SE03M	SE06M	SE09M	SE12M	SF12M	SF20M	LF30M	SF44M	SG12M	SG20M	LG30M	SG44M	SG60M	
Applicable Drive (L7□A□□)		L7□A004	L7□A008	L7□A010	L7□A020		L7□A035		L7□A050	L7□A020		L7□A035	L7□A050	L7□A075	
Flange Size(□)		□ 130				□ 180				□ 220					
Rated Output	[kW]	0.3	0.6	0.9	1.2	1.2	2	3	4.4	1.2	2	3	4.4	6	
	[N · m]	2.86	5.73	8.59	11.46	11.46	19.1	28.64	42.01	11.46	19.1	28.64	42.01	57.29	
Rated Torque	[kgf · cm]	29.23	58.46	87.69	116.92	116.92	194.86	292.29	428.69	116.92	194.86	292.29	428.69	584.6	
	[N · m]	8.59	17.19	25.78	34.37	34.37	57.29	85.93	126.04	34.37	57.29	85.93	126.04	171.87	
Max. Instantaneous	[kgf · cm]	87.69	175.3	263.06	350.75	350.75	584.58	876.88	1286.08	350.75	584.58	876.88	1286.08	1753.80	
	[A]	2.51	4.15	5.78	7.63	8.4	14.4	15.99	31.24	8.87	15.02	16.04	31.83	38	
Max.Current	[A]	7.53	12.45	17.34	22.89	25.2	43.2	47.97	93.72	26.61	45.06	48.12	95.49	102	
Rated Speed	[r/min]	1000													
Max. Speed	[r/min]	2000				1700				2000		1700	2000		
Inertia	[kg · m <sup>2</sup> X 10 <sup>-4</sup> ]	6.66	12	17.34	22.68	30.74	52.13	83.6	121.35	51.42	80.35	132.41	172.91	291.36	
	[gf · cm · s <sup>2</sup> ]	6.8	12.24	17.69	23.14	31.37	53.19	85.31	123.83	52.47	81.99	135.11	176.44	297.31	
Allowable Load Inertia Ratio		10 times of motor inertia						5 times of motor inertia							
Rated Power Rate	[kW/s]	12.32	27.35	42.59	57.89	42.71	69.95	98.15	145.45	25.53	45.39	61.97	102.08	112.65	
Speed/Position Detector	Standard <span style="color:red">Note1</span>	Quad. Type Incremental 3000[P/R]													
	Option	Serial Type 19[Bit]													
Specifications & Features	Structure	Fully closed · Self cooling IP65 <span style="color:red">Note1</span>													
	Rated Time	Continuous													
	Ambient Temp	Operating : 0 ~ 40[°C] Storage : - 10 ~ 60[°C]													
	Ambient Humidity	90[%]RH Below [avoid dew-condensation]													
	Atmosphere	Avoid direct sunlight, no corrosive gas, inflammable gas, oil mist, or dust.													
E/V		Elevation/vibration 49[m/s2][5G]													
Weight	[kg]	5.5	7.5	9.7	11.8	12.4	17.7	26.3	35.6	17	22	30.8	37.5	66.2	

Note1) Except for axis penetration, when you attach reducer to the motor, we don't guarantee IP for reducer. If you bend over specification designated in cable standard, it is difficult to guarantee IP marked. It can be satisfied protection grade when you use private cable only.

Servo Motor

Speed-Torque Characteristics



## SA Series

### Plug Specifications



Spec.: 172167-1  
(Made by AMP)

#### Power

Pin No.	Color	Signal
1	Red	U
2	White	V
3	Black	W
4	Green	Ground

(Power Connector Pin Table)

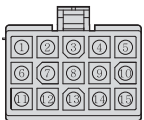


Spec.: 172165-1  
(Made by AMP)

#### Brake

Pin No.	Signal
1	BK+
2	BK-

(Brake Connector Pin Table)

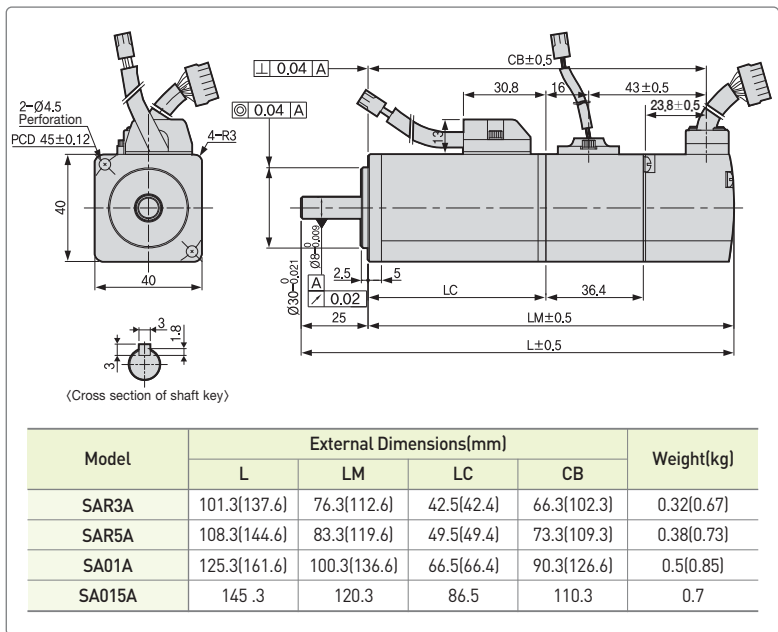


Spec.: 172165-1  
(Made by AMP)

#### Encoder

Pin No.	Signal	Pin No.	Signal
1	A	9	V
2	A	10	V
3	B	11	W
4	B	12	W
5	Z	13	+5V
6	Z	14	0V
7	U	15	SHIELD
8	U		

(Parallel Encoder Connector Pin Table)



Note1) Use DC[24V] for brake input power supply. Note2) The ( ) is for brake-attached type. Note3) For external dimensions for oil-sealed type. Please kindly contact us separately.  
Note4) Refer to page 94 for serial encoder pin table.

## SB Series

### Plug Specifications



Spec.: 172167-1  
(Made by AMP)

#### Power

Pin No.	Color	Signal
1	Red	U
2	White	V
3	Black	W
4	Green	Ground

(Power Connector Pin Table)

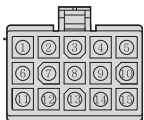


Spec.: 172165-1  
(Made by AMP)

#### Brake

Pin No.	Signal
1	BK+
2	BK-

(Brake Connector Pin Table)

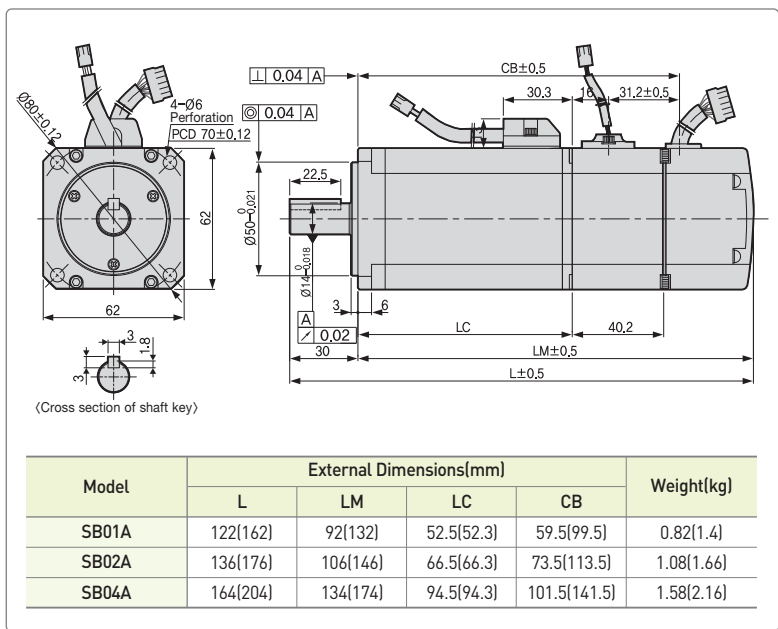


Spec.: 172171-1  
(Made by AMP)

#### Encoder

Pin No.	Signal	Pin No.	Signal
1	A	9	V
2	A	10	V
3	B	11	W
4	B	12	W
5	Z	13	+5V
6	Z	14	0V
7	U	15	SHIELD
8	U		

(Parallel Encoder Connector Pin Table)



Note1) Use DC[24V] for brake input power supply. Note2) The ( ) is for brake-attached type. Note3) For external dimensions for oil-sealed type. Please kindly contact us separately.  
Note4) Refer to page 94 for serial encoder pin table.

## SC Series

### Plug Specifications



Spec.: 172167-1  
(Made by AMP)

#### Power

Pin No.	Color	Signal
1	Red	U
2	White	V
3	Black	W
4	Green	Ground

(Power Connector Pin Table)

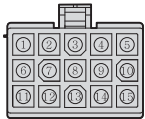


Spec.: 172165-1  
(Made by AMP)

#### Brake

Pin No.	Signal
1	BK+
2	BK-

(Brake Connector Pin Table)

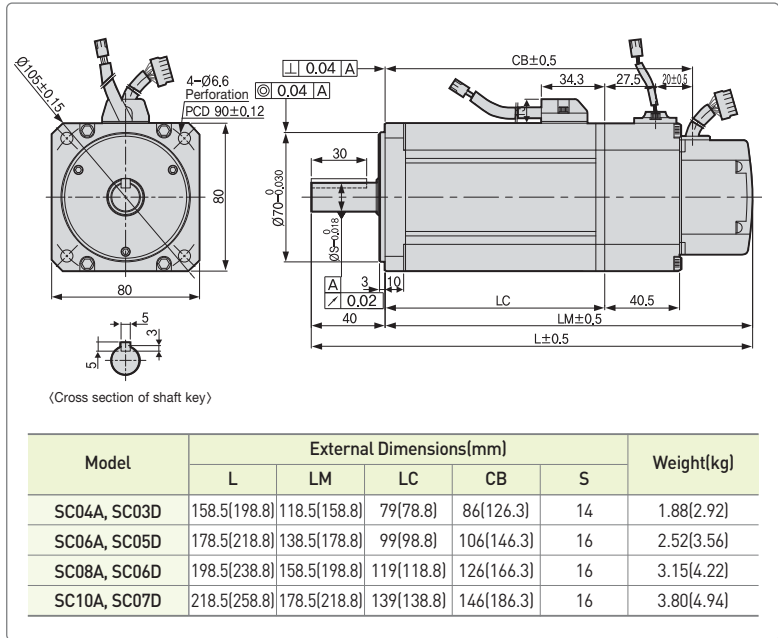


Spec.: 172171-1  
(Made by AMP)

#### Encoder

Pin No.	Signal	Pin No.	Signal
1	A	9	V
2	A	10	V
3	B	11	W
4	B	12	W
5	Z	13	+5V
6	Z	14	0V
7	U	15	SHIELD
8	U		

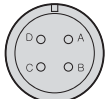
(Parallel Encoder Connector Pin Table)



- Note1** Use DC[24V] for brake input power supply. **Note2** The [ ] is for brake-attached type. **Note3** For external dimensions for oil-sealed type. Please kindly contact us separately. **Note4** Refer to page 94 for serial encoder pin table.

## SE Series

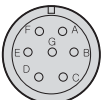
### Plug Specifications



Spec.: MS3102A20-4P  
(Standard)

#### Power

Pin No.	Signal
A	U
B	V
C	W
D	Ground



Spec.: MS3102A20-15P  
(Brake-attached type)

#### Brake

Pin No.	Signal	Pin No.	Signal
A	U	D	Ground
B	V	E	BK+
C	W	F	BK-

#### Incremental type

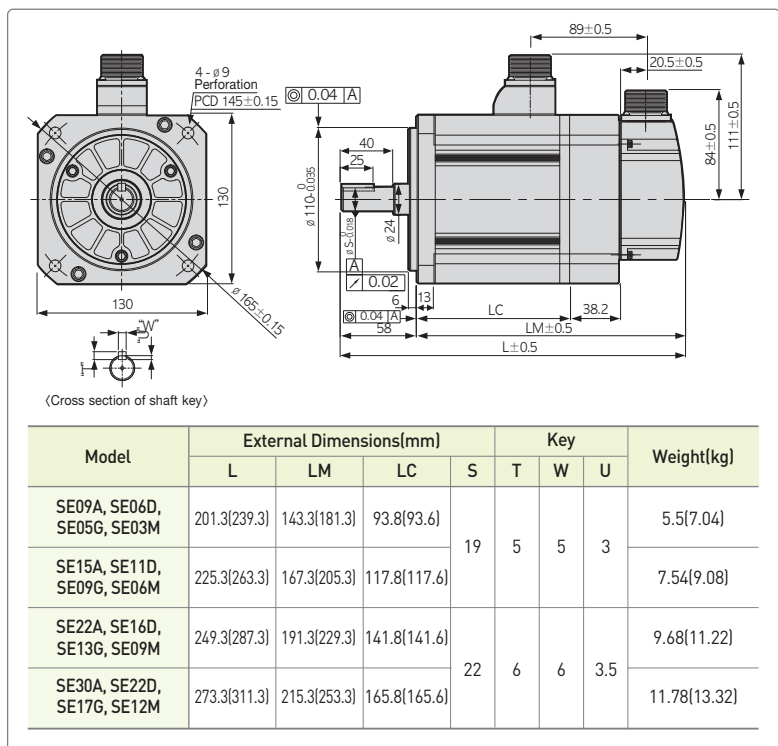


Spec.: MS3102A20-29P

#### Encoder

Pin No.	Signal	Pin No.	Signal
A	A	M	V
B	A	N	V
C	B	P	W
D	B	R	W
E	Z	H	+5V
F	Z	G	0V
K	U	J	SHIELD
L	U		

(Parallel Encoder Connector Pin Table)



- Note1** Use DC[24V] for brake input power supply. **Note2** The [ ] is for brake-attached type. **Note3** For external dimensions for oil-sealed type. Please kindly contact us separately. **Note4** Refer to page 94 for serial encoder pin table.

## SF, LF Series

### Plug Specifications



Spec.: MS3102A22-22P  
(Standard)

#### Power

Pin No.	Signal
A	U
B	V
C	W
D	Ground



Spec.: MS3102A24-10P  
(Brake-attached type)

Pin No.	Signal	Pin No.	Signal
A	U	D	Ground
B	V	E	BK+
C	W	F	BK-

### Incremental type



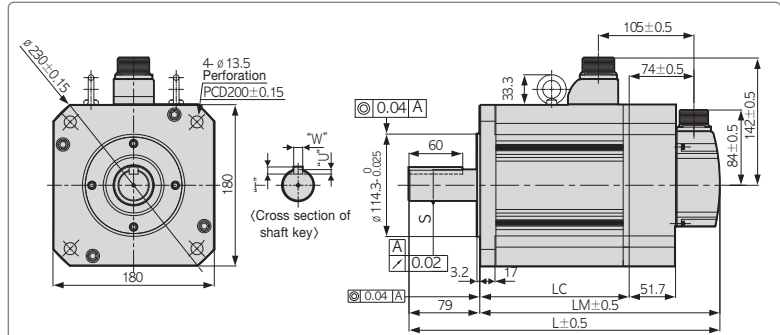
Spec.: MS3102A20-29P

#### Encoder

Pin No.	Signal	Pin No.	Signal
A	A	M	V
B	A̅	N	V̅
C	B	P	W
D	B̅	R	W̅
E	Z	H	+5V
F	Z̅	G	0V
K	U	J	SHIELD
L	U̅		

(Parallel Encoder Connector Pin Table)

- Note1) Use DC[24V] for brake input power supply.
- Note2) The ( ) is for brake-attached type.
- Note3) For external dimensions for oil-sealed type. Please kindly contact us separately.
- Note4) Refer to page 94 for serial encoder pin table.
- Note5) Use MS3102A32-17 for SF75G Power connector



Model	External Dimensions(mm)				Key					Weight(kg)
	L	LM	LC	LR	S	QW	T	W	U	
SF30A, SF22D, SF20G, SF12M	261.5 (312.9)	182.5 (233.9)	133 (132.7)							12.4 (19.2)
SF50A, LF35D, LF30G, SF20M	295.5 (346.9)	216.5 (267.9)	167 (166.7)							17.7 (24.9)
SF55D, SF44G, LF30M	345.5 (396.9)	266.5 (317.9)	277 (216.7)	79	35 <sup>+0.01</sup> <sub>0</sub>	60	8	10	5	26.3 (33.4)
SF75D, SF60G, SF44M	405.5 (456.9)	326.5 (377.9)	277 (276.7)							35.6 (42.8)
SF75G	457.5	344.5	295	113	42 <sup>0</sup> <sub>-0.016</sub>	96	8	12	5	39.4

## SG, LG Series

### Plug Specifications



Spec.: MS3102A22-22P  
(Standard)

#### Power

Pin No.	Signal
A	U
B	V
C	W
D	Ground



Spec.: MS3102A14S-7P  
(Brake-attached type)

#### Brake

Pin No.	Signal
A	BK+
B	BK-
C	NC

### Incremental type



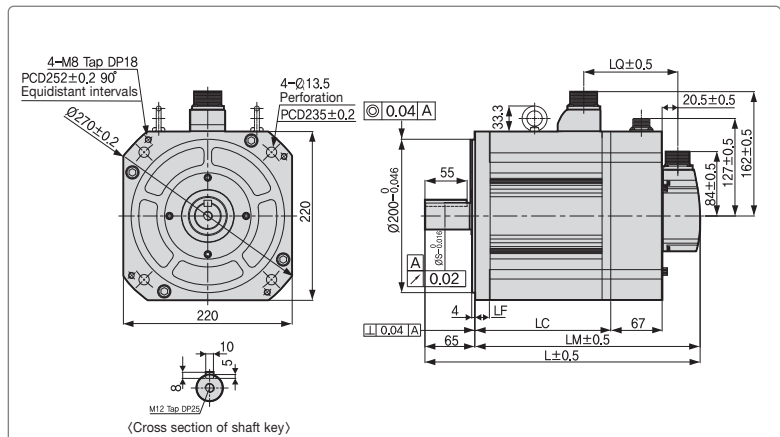
Spec.: MS3102A20-29P

#### Encoder

Pin No.	Signal	Pin No.	Signal
A	A	M	V
B	A̅	N	V̅
C	B	P	W
D	B̅	R	W̅
E	Z	H	+5V
F	Z̅	G	0V
K	U	J	SHIELD
L	U̅		

(Parallel Encoder Connector Pin Table)

- Note1) In case of SG, use DC[90V] for brake input power supply.
- Note2) The ( ) is for brake-attached type.
- Note3) For external dimensions for oil-sealed type. Please kindly contact us separately.
- Note4) Refer to page 94 for serial encoder pin table.
- Note5) Use MS3102A32-17 for SG60M Power connector.



Model	External Dimensions(mm)						Key					Weight (kg)	Power Connector
	L	LM	LC	LR	LF	LQ	S	QK	T	W	U		
SG22D, SG20G, SG12M	236.5 (302.7)	171.5 (237.7)	122 (121.2)									16.95 (30.76)	MS 3102A22 -22P
LG35D, LG30G, SG20M	256.5 (322.7)	191.5 (257.7)	142 (141.2)									21.95 (35.7)	
SG55D, SG44G, LG30M	292.5 (358.7)	227.5 (293.7)	178 (177.2)	65	19	56.4 (122.6)	35 <sup>0</sup> <sub>-0.016</sub>	55	8	10	5	30.8 (44.94)	
SG75D, SG60G, SG44M	320.5 (386.7)	255.5 (321.7)	206 (205.2)									37.52 (50.94)	
SG110D, SG85G, SG60M	418.5 (484.7)	353.5 (419.7)	304 (303.2)	65	21		45 <sup>0</sup> <sub>-0.016</sub>					66.2 (82.6)	MS 3102A32 -17P
SG110G	469	354	304	115	21	66 (132.2)	42 <sup>0</sup> <sub>-0.016</sub>	96	10	12	5	66.3	
SG150G	575	459	409	115	35		55 <sup>+0.000</sup> <sub>-0.016</sub>	96	10	16	6	92.2	

**HB Series [Hollow Shaft type]**

Plug Specifications



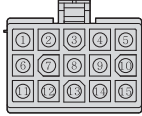
Spec.: 172167-1  
(Made by AMP)

**Power**

Pin No.	Color	Signal
1	Red	U
2	White	V
3	Black	W
4	Green	Ground

(Power Connector Pin Table)

Incremental type

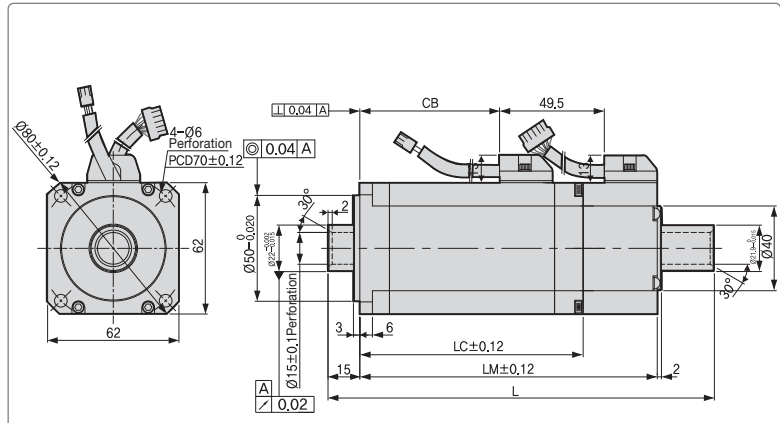


Spec.: 172171-1  
(Made by AMP)

**Encoder**

Pin No.	Signal	Pin No.	Signal
1	A	9	V
2	A	10	V
3	B	11	W
4	B	12	W
5	Z	13	+5V
6	Z	14	0V
7	U	15	SHIELD
8	U		

(Parallel Encoder Connector Pin Table)



Model	External Dimensions(mm)					Weight(kg)
	L	LM	LC	CB	Hollow Shaft	
HB01A	140.5	103.5	68.5	24	15	0.89
HB02A	154.5	117.5	82.5	38	15	1.16
HB04A	182.5	140.5	105.5	66	15	1.69

**HE Series [Hollow Shaft type]**

Plug Specifications



Spec.: MS3102A20-4P  
(Standard)

**Power**

Pin No.	Signal
A	U
B	V
C	W
D	Ground

(Power Connector Pin Table)

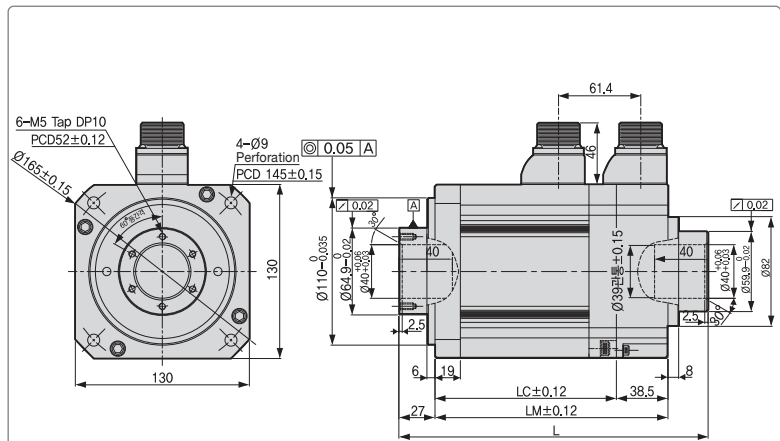


Spec.: MS3102A20-29P

**Encoder**

Pin No.	Signal	Pin No.	Signal
A	A	M	V
B	A	N	V
C	B	P	W
D	B	R	W
E	Z	H	+5V
F	Z	G	0V
K	U	J	SHIELD
L	U		

(Parallel Encoder Connector Pin Table)



Model	External Dimensions(mm)				Weight(kg)
	L	LM	LC	Hollow Shaft	
HE09A	207	150	111.5	40	5.82
HE15A	231	174	135.5	40	7.43
HE30A	279	222	183.5	40	

## Electric Brake Specifications

Applicable Motor Series	XML-SA,FAL	XML-SB,FB,FBL	XML-SC,FC,FCL	XML-SE,SEP,FE,FEP	XML-SE,SEP,FF,FFP	XML-SG,SGP,FG,FGP
Purpose	Maintenance					
Input voltage [V]	DC 24V	DC 24V	DC 24V	DC 24V	DC 24V	DC 90V
Static friction torque [N · m]	0.32	1.47	3.23	10.4	40	74
Capacity [W]	6	6.5	9	19.4	25	32
Coil resistance [Ω]	96	89	64	29.6	23	327
Rated current [A]	0.25	0.27	0.38	0.81	1.04	0.28
Braking mechanism	Spring brake					
Insulation grade	GraDde F					

**Note1)** For the Electronic Brake that is attached to our Servo Motor, the same specifications are to be applied as per the series.

**Note2)** Do not use it for braking purpose because the electronic brake is only for maintaining the stopped condition.

**Note3)** The characteristics of electronic brake is measured at 20°C

**Note4)** Please make sure to always check the voltage specification on the motor because indicated brake specifications are subject to change.

## S Series Encoder Pin Map

### SA, SB, SC Series



Plug Specification:  
172169-1[AMP]

Single Turn (N)		Multi Turn (M)	
핀번호	신호명	핀번호	신호명
1	MA	1	MA
2	MA	2	MA
3	SLO	3	SLO
4	SLO	4	SLO
5	-	5	VOD_B
6	-	6	GND_B
7	+5V	7	+5V
8	OV	8	OV
9	SHIELD	9	SHIELD

[Serial Encoder Connector Pin Table]

### SE, SF, SG Series



17 Pole Plug  
(MS3102A20-29P)

Single Turn (N)				Multi Turn (M)			
Pin No.	Signal	Pin No.	Signal	Pin No.	신호명	Pin No.	Signal
A	MA	M	-	A	MA	M	-
B	MA	N	-	B	MA	N	-
C	SLO	P	-	C	SLO	P	-
D	SLO	R	-	D	SLO	R	-
E	-	H	+5V	E	VOD_B	H	+5V
F	-	G	OV	F	GND_B	G	OV
K	-	J	SHIELD	K	-	J	SHIELD
L	-	-	-	L	-	-	-

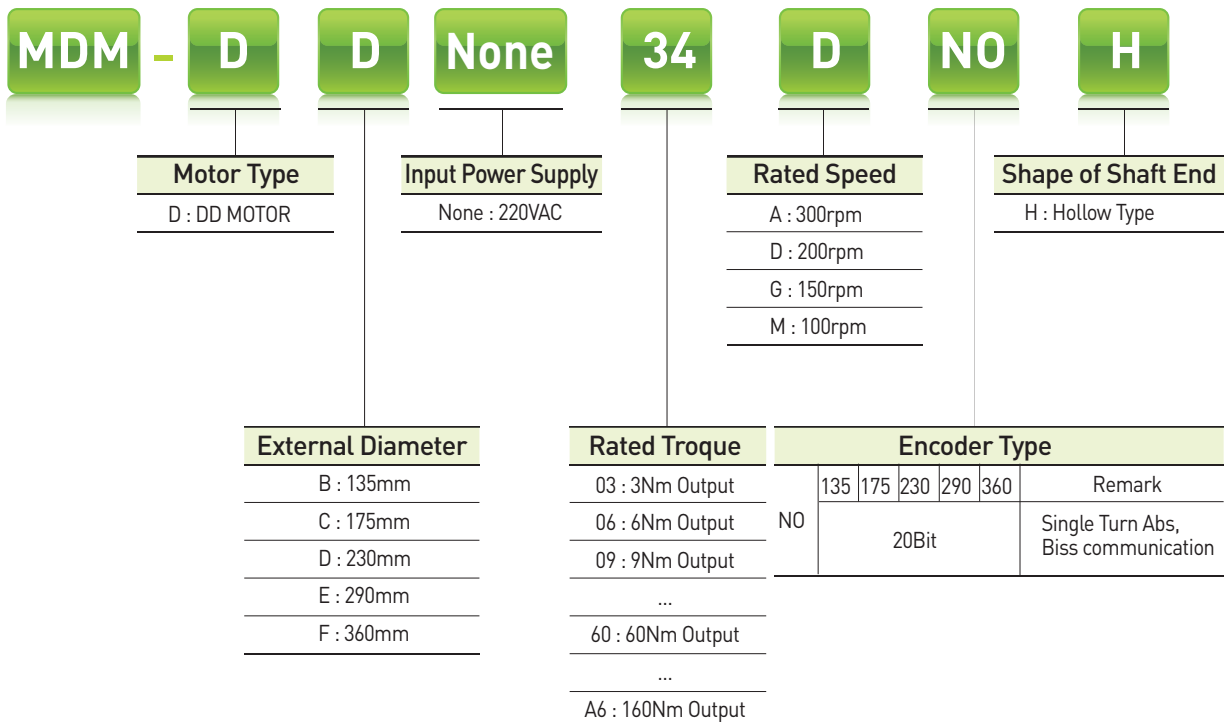
[Serial Encoder Connector Pin Table]

## Heat Sink Specifications

Flange	Dimensions(mm)	Materials
AP04	250X 250X 6	Aluminum
AP06	250X 250X 6	
AP08	250X 250X 12	
AP13	350X 350X 20	
AP18	550X 550X 30	
AP22	650X 650X 35	

**Note1)** The data on the product features is measured when those heat sinks are applied.

## DD Motor Designation



Using the own technologies to produce motors, drives and encoders domestically

Optimized for low-speed, high-torque and high-precision operation

- Providing Power connection for the connection of DC-Link Terminal
- Compact Size and Easy Wiring (Compared with 3 phase AC Reactor)
- Providing Connection for DC Input (PI, N)

Reduced cogging torque and optimized torque design

- Optimal ratio of the permanent magnet and coil/ slot selected through electromagnetic analysis
- Using multiple permanent magnets to reduce torque ripple and to maximize torque
- Using a permanent magnet of high-energy rare earth elements (Nd-Fe-B)

Using the high-performance rotary optical encoder that adopts the Biss protocol

- Resolution of 1,048,576 CPR (Single turn Absolute)
- Using our own encoder technology to reduce the cost and shorten the delivery time

Compatible with our L7 Series AC Servo Drive (3phase AC 220V)

- Both standard I/O type (serial communication supported) and network type (EtherCAT) applicable

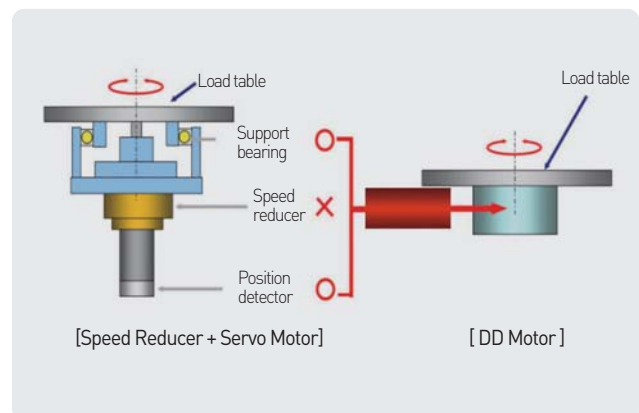
Direct Drive Structure

- No backlash impact
- High-precision operation and shortened installation time
- Smooth rotary motion
- Reduced noise

Hollow type that is efficient for wiring and piping

A wide range of products

- Rated output: 63W-.25kW
- Rated torque: 3.0N.m-160N.m (the instantaneous maximum torque should be 3 times the rated torque)
- Rated speed: 150RPM-200RPM
- Frame diameter: 135mm,175mm,230mm,290mm, and 360mm (13 models)











## DD Motor Specifications

### Ratings and Specifications

- Insulation class : Class B
- Protection class: IP 40
- Cooling type : Fully enclosed self-cooling
- Vibration class : V15
- Insulation resistance : 500 VDC, 10[MΩ] or higher
- Insulation internal voltage: 1800 VAC, 1 second
- Operating voltage: 200 VAC
- Operating temperature : 0 - 40[°C] / Storage temperature: -10~60[°C]
- Ambient humidity : 20 - 80% RH (no condensation)
- Installation location : Place with no toxic substances, such as corrosive and combustible gasses, cutting oil, metal dust, grease or direct sunlight

### Line-up Table

Maximum Torque[Nm]			9	18	27	36	54	66	102	120	180	330	480
Rated speed 200[rpm]	Maximum speed 500[rpm]	Ø135	DB03D DB06D DB09D 										
		Ø175		DC06D		DC12D							
		Ø230				DD12D 							
	Maximum speed 400[rpm]	Ø175					DC18D 						
		Ø230					DD22D DD34D 						
	Maximum speed 300[rpm]	Ø290								DE40D DE60D 			
Rated speed 150[rpm]	Maximum speed 250[rpm]	Ø360									DFA1D DFA6D 		

### Applicable Drive to Motor

Rated Speed (RPM)	Maximum Speed (RPM)	External Diameter of Motor(∅)	Applicable Motor	Applicable Drive	Standard Encoders	Encoders Cable (Serial)	Power Cable (Power)
200	500	135	DB03D	L7PA001U	* 20Bit Serial	XLCS-E□□□ZS	XLCS-PN□□YS
			DB06D	L7PA001U			
			DB09D	L7PA001U			
	400	175	DC06D	L7PA002U			
			DC12D	L7PA002U			
			DC18D	L7PA002U			
	500	230	DD12D	L7PA004U			
			DD22D	L7PA004U			
	400		DD34D	L7PA008U			
	300	290	DE40D	L7PA008U			
DE60D			L7PA010U				
150	250	360	DFA1G	L7PA008U			XLCS-PN□□YS
			DFA6G	L7PA020U			

### Appearances of Motor

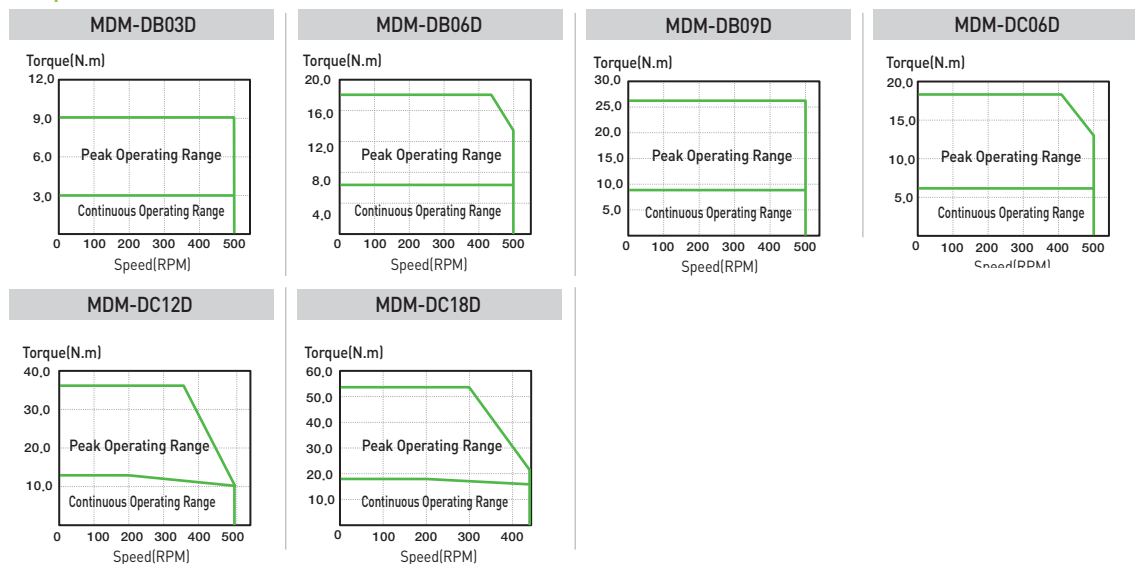


Motor Designation		MDM-DB□□D□□H			MDM-DC□□D□□H		
		03	06	09	06	12	18
Applicable Drive		L7□A001□	L7□A002□	L7□A004□	L7□A002□	L7□A004□	L7□A008□
Flange Size	mm	∅135			∅175		
Rated Output	W	63	126	188	126	251	377
Rated Torque	N-m	3	6	9	6	12	18
Max Torque	N-m	9	18	27	18	36	54
Rated Current	Arms	1.12	1.46	2.63	1.48	2.41	3.0
Max Current	Arms	3.36	4.38	7.89	4.44	7.23	9.0
Rated Speed	rpm	200			200		
Max Speed	rpm	500	500	500	500	500	400
Constant of Torque	N-m/Arms	2.76	4.25	3.57	4.18	5.13	6.12
Inertia	kg-m <sup>2</sup> × 10 <sup>-4</sup>	5.74	8.67	11.5	27.32	38.9	50.48
Rated Power Rate	kW/S	15.68	42.35	70.43	13.18	52.71	118.59
Angular acceleration	rad/s <sup>2</sup>	191.2	141.6	127.7	455.03	323.9	280.3
Positioning accuracy	arc-sec	±30					
Positioning repeatability	arc-sec	±1.3					
Axial run-out	mm	0.015					
Radial run-out	mm	0.03					
Allowable Thrust Load	N	1500			3300		
Max. Instantaneous	N-m	40			70		
Encoder Type		20-bit single turn serial encoder [Biss/Absolute]					
Weight(Approx.)	kg	6.3	7.2	9.2	8.7	10.6	12.6
Working Environment	Ambient Temp	operating : 0~40[°C] / storage : -20~60[°C]					
	Ambient Humidity	20~80[%] RH(avoid dew-condensation)					
	Atmosphere	Avoid direct sunlight, No corrosive gas, Inflammable gas, Oil mist, or Dust					

\* In case of allowable load inertia ratio, please apply within 30 times of rotator inertia

Servo Motor

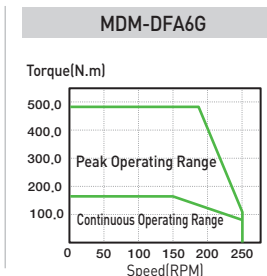
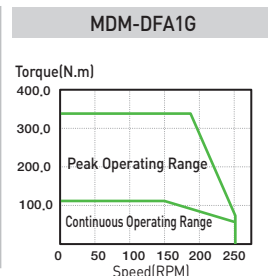
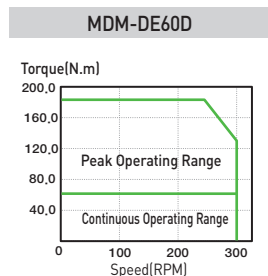
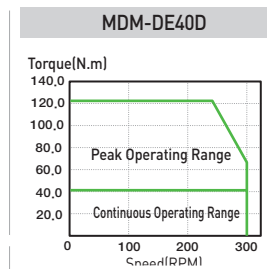
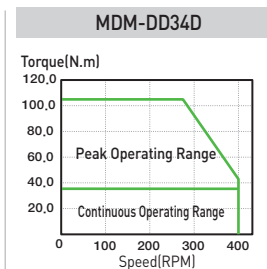
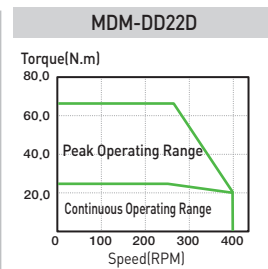
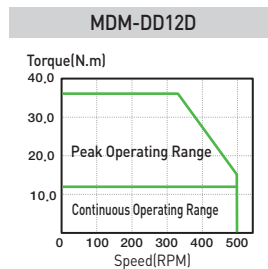
## Speed-Torque Characteristics



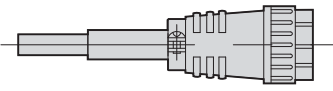
Motor Designation		MDM-DD□□D□□H			MDM-DE□□D□□H		MDM-DF□□G□□H	
		12	22	34	40	60	A1	A6
Applicable Drive		L7□A004□	L7□A008□	L7□A010□	L7□A010□	L7□A020□	L7□A020□	L7□A035□
Flange Size	mm	∅230			∅290		∅360	
Rated Output	W	251	461	712	838	1,257	1,728	2,513
Rated Torque	N-m	12	22	34	40	60	110	160
Max Torque	N-m	36	66	102	120	180	330	480
Rated Current	Arms	2.58	3.33	5.72	5.3	8.33	9.48	14.6
Max Current	Arms	7.74	9.99	17.16	15.9	24.99	28.44	43.8
Rated Speed	rpm	200			200		150	
Max Speed	rpm	500	400	400	300	300	250	250
Constant of Torque	N-m/Arms	4.8	6.81	6.13	7.77	7.42	11.95	11.29
Inertia	kg-m <sup>2</sup> × 10 <sup>-4</sup>	54.14	68.15	82.16	311.55	371.71	1410.2	1763.4
Rated Power Rate	kW/S	26.6	71.02	140.7	51.36	96.68	85.9	145.4
Angular acceleration	rad/s <sup>2</sup>	450.9	309.6	241.5	778.35	619.1	1281.13	1101.4
Positioning accuracy	arc-sec	±30						
Positioning repeatability	arc-sec	±1.3						
Axial run-out	mm	0.015						
Radial run-out	mm	0.03						
Allowable Thrust Load	N	4000			1100		15000	
Max. Instantaneous	N-m	93			250		350	
Encoder Type		20-bit single turn serial encoder [Biss/Absolute]						
Weight(Approx.)	kg	17.3	19.6	21.9	28.2	35	54	70.3
Working Environment	Ambient Temp	operating : 0~40[°C] / storage : -20~60[°C]						
	Ambient Humidity	20~80[%] RH[avoid dew-condensation]						
	Atmosphere	Avoid direct sunlight, No corrosive gas, Inflammable gas, Oil mist, or Dust						

\* In case of allowable load inertia ratio, please apply within 30 times of rotator inertia

## Speed-Torque Characteristics



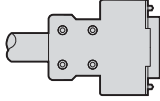
## MDM-DB03D, MDM-DB06D, MDM-DB09D



NJC-24-4-PM

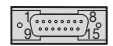
Signal	Line color	Pin No.
LEAD U	Red	A
WIRE V	White	B
W	Black	C
FG	Green	D

POWER CONNECTOR

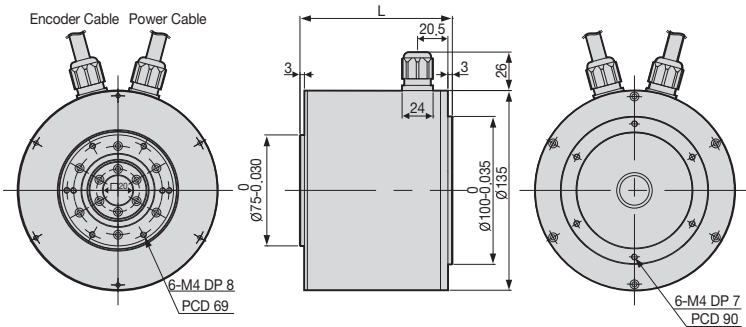


D.D SERVO ENCODER CABLE			
NO	Encoder Signal	NO	Encoder Signal
1	MA	9	+5V
2	SLO	10	-
3	-	11	-
4	OV	12	-
5	SHIELD	13	-
6	MA	14	-
7	SLO	15	-
8	-	-	-

ENCODER CONNECTOR



D-Sub Connector (15pin)



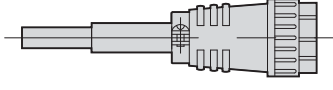
Encoder Cable Power Cable

6-M4 DP 8 PCD 69

6-M4 DP 7 PCD 90

Model Series	External Dimensions(mm)		Weight(kg)
	L		
MDM-DB03D	78		6.3
MDM-DB06D	100		7.2
MDM-DB09D	124		9.2

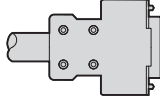
## MDM-DC06D, MDM-DC12D, MDM-DC18D



NJC-24-4-PM

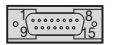
Signal	Line color	Pin No.
LEAD U	Red	A
WIRE V	White	B
W	Black	C
FG	Green	D

POWER CONNECTOR

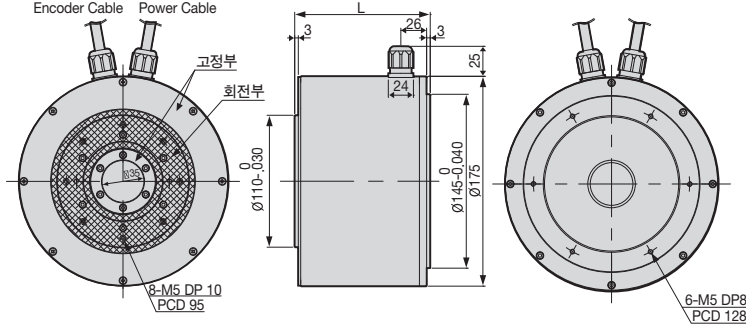


D.D SERVO ENCODER CABLE			
NO	Encoder Signal	NO	Encoder Signal
1	MA	9	+5V
2	SLO	10	-
3	-	11	-
4	OV	12	-
5	SHIELD	13	-
6	MA	14	-
7	SLO	15	-
8	-	-	-

ENCODER CONNECTOR



D-Sub Connector (15pin)



Encoder Cable Power Cable

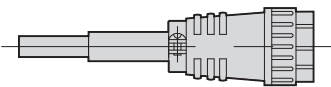
고정부 회전부

8-M5 DP 10 PCD 95

6-M5 DP8 PCD 128

Model Series	External Dimensions(mm)		Weight(kg)
	L		
MDM-DC06D	77		8.7
MDM-DC12D	95		10.6
MDM-DC18D	113		12.6

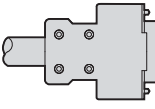
## MDM-DD12D, MDM-DD22D, MDM-DD34D



NJC-24-4-PM

Signal	Line color	Pin No.
U	Red	A
V	White	B
W	Black	C
FG	Green	D

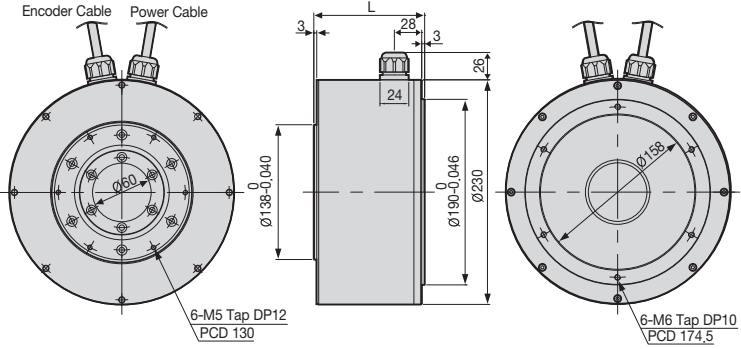
POWER CONNECTOR



D- Sub Connector (15pin)

D.D SERVO ENCODER CABLE			
NO	Encoder Signal	NO	Encoder Signal
1	MA	9	+5V
2	SLO	10	-
3	-	11	-
4	OV	12	-
5	SHIELD	13	-
6	MA	14	-
7	SLO	15	-
8	-	-	-

ENCODER CONNECTOR



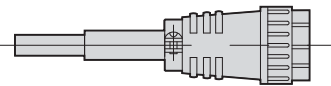
Encoder Cable Power Cable

6-M5 Tap DP12 PCD 130

6-M6 Tap DP10 PCD 174.5

Model Series	External Dimensions(mm)		Weight(kg)
	L		
MDM-DD12D	82.5		17.3
MDM-DD22D	100.5		19.6
MDM-DD34D	118.5		21.9

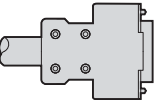
## MDM-DE40D, MDM-DE60D



NJC-24-4-PM

내용	Line color	Pin No.
U	Red	A
V	White	B
W	Black	C
FG	Green	D

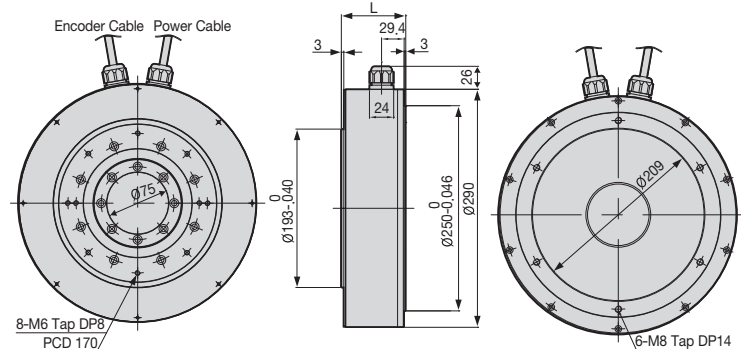
POWER CONNECTOR



D- Sub Connector (15pin)

D.D SERVO ENCODER CABLE			
NO	Encoder Signal	NO	Encoder Signal
1	MA	9	+5V
2	SLO	10	-
3	-	11	-
4	OV	12	-
5	SHIELD	13	-
6	MA	14	-
7	SLO	15	-
8	-	-	-

ENCODER CONNECTOR



Encoder Cable Power Cable

8-M6 Tap DP8 PCD 170

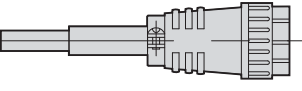
6-M6 Tap DP14 PCD 230

Model Series	External Dimensions(mm)		Weight(kg)
	L		
MDM-DE40D	95.4		28.2
MDM-DE60D	113.4		35

**MDM-DFA1G, MDM-DFA6G**

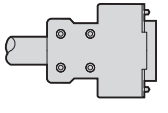


제작사: Nanaboshi Electronic  
NJC-24-4-PM



Signal	Line color	Pin No.
LEAD WIRE		
U	Red	A
V	White	B
W	Black	C
FG	Green	D

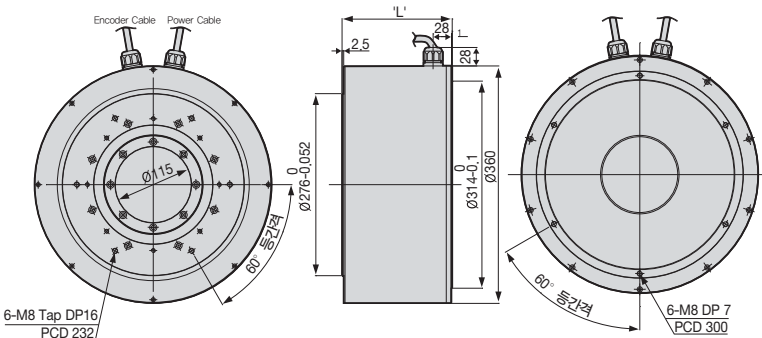
POWER CONNECTOR



D.D SERVO ENCODER CABLE			
NO	Encoder Signal	NO	Encoder Signal
1	MA	9	+5V
2	SLO	10	-
3	-	11	-
4	OV	12	-
5	SHIELD	13	-
6	MA	14	-
7	SLO	15	-
8	-		

ENCODER CONNECTOR

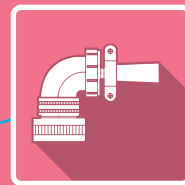
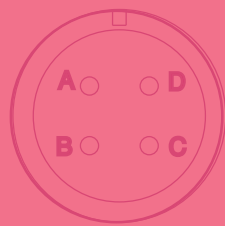
D- Sub Connector (15pin)



Model Series	External Dimensions(mm)		Weight(kg)
	L		
MDM-DFA1G	131		54
MDM-DFA6G	167		70.3



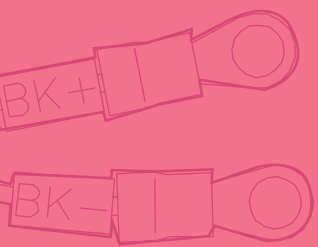




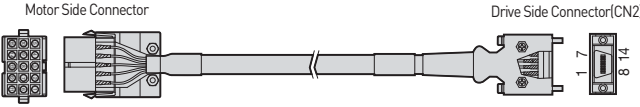
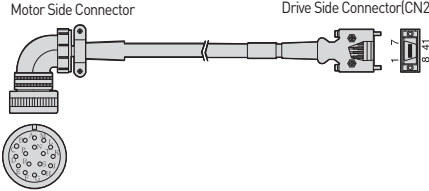
# Options and Accessories

## Contents

Signal Cable .....	106
Power Cable .....	110
DD Motor Signal Cable .....	118
Option Signal Cable .....	119
Connector Pin Map .....	120
Option Connector .....	121
200V Braking Resistor .....	122
400V Braking Resistor .....	123



## Signal Cable [Incremental]

Type	Product Type	Model Name <sup>[Note1]</sup>	Applicable Drive <sup>[Note2]</sup>	Applicable Motor	Specifications																																																																								
For Signal	Incremental Encoder Cable (Small Capacity)	XLCS-E□□□AS	XDL-L7SA□□□A L7NHA□□□U L7PA□□□U	All Models of XML-SA SB SC HB Series	 <table border="1" data-bbox="869 627 1332 846"> <thead> <tr> <th>PIN No.</th> <th>Encoder Signal</th> <th>PIN No.</th> <th>Encoder Signal</th> <th>PIN No.</th> <th>Encoder Signal</th> <th>PIN No.</th> <th>Encoder Signal</th> </tr> </thead> <tbody> <tr><td>1</td><td>A</td><td>9</td><td>V</td><td>1</td><td>W</td><td>8</td><td>Z̄</td></tr> <tr><td>2</td><td>Ā</td><td>10</td><td>V̄</td><td>2</td><td>W̄</td><td>9</td><td>Z</td></tr> <tr><td>3</td><td>B</td><td>11</td><td>W</td><td>3</td><td>V</td><td>10</td><td>B̄</td></tr> <tr><td>4</td><td>B̄</td><td>12</td><td>W̄</td><td>4</td><td>V̄</td><td>11</td><td>B</td></tr> <tr><td>5</td><td>Z</td><td>13</td><td>+5V</td><td>5</td><td>U</td><td>12</td><td>Ā</td></tr> <tr><td>6</td><td>Z̄</td><td>14</td><td>OV</td><td>6</td><td>Ū</td><td>13</td><td>A</td></tr> <tr><td>7</td><td>U</td><td>15</td><td>SHIELD</td><td>7</td><td>OV</td><td>14</td><td>+5V</td></tr> <tr><td>8</td><td>Ū</td><td></td><td></td><td></td><td>PLATE</td><td></td><td>SHIELD</td></tr> </tbody> </table> <p data-bbox="869 851 981 869">[Motor Side Connector]</p> <p data-bbox="1101 851 1212 869">[Driver Side Connector]</p> <ol style="list-style-type: none"> <li><b>Motor Side Connector</b> <ul style="list-style-type: none"> <li>Cap Spec.(15 Position) : 172163-1(AMP)</li> <li>Socket Spec. : 170361-1(AMP)</li> </ul> </li> <li><b>Driver Side Connector(CN2)</b> <ul style="list-style-type: none"> <li>Case Spec. : 10314-52A0-008(3M) or SM-14J(Suntone)</li> <li>Connector Spec. : 10114-3000VE(3M) or SM-14J(Suntone)</li> </ul> </li> <li><b>Cable Spec. : 7P×0.25Q or 7P×AWG24</b></li> </ol>	PIN No.	Encoder Signal	PIN No.	Encoder Signal	PIN No.	Encoder Signal	PIN No.	Encoder Signal	1	A	9	V	1	W	8	Z̄	2	Ā	10	V̄	2	W̄	9	Z	3	B	11	W	3	V	10	B̄	4	B̄	12	W̄	4	V̄	11	B	5	Z	13	+5V	5	U	12	Ā	6	Z̄	14	OV	6	Ū	13	A	7	U	15	SHIELD	7	OV	14	+5V	8	Ū				PLATE		SHIELD
					PIN No.	Encoder Signal	PIN No.	Encoder Signal	PIN No.	Encoder Signal	PIN No.	Encoder Signal																																																																	
1	A	9	V	1	W	8	Z̄																																																																						
2	Ā	10	V̄	2	W̄	9	Z																																																																						
3	B	11	W	3	V	10	B̄																																																																						
4	B̄	12	W̄	4	V̄	11	B																																																																						
5	Z	13	+5V	5	U	12	Ā																																																																						
6	Z̄	14	OV	6	Ū	13	A																																																																						
7	U	15	SHIELD	7	OV	14	+5V																																																																						
8	Ū				PLATE		SHIELD																																																																						
For Signal	Incremental Encoder Cable (Middle Capacity)	XLCS-E□□□BS	XDL-L7SA□□□A L7NHA□□□U L7PA□□□U	All Models of XML-SE/SEP SF/SFP SG/SGP LF LG HE Series	 <table border="1" data-bbox="861 1411 1324 1635"> <thead> <tr> <th>PIN No.</th> <th>Encoder Signal</th> <th>PIN No.</th> <th>Encoder Signal</th> <th>PIN No.</th> <th>Encoder Signal</th> <th>PIN No.</th> <th>Encoder Signal</th> </tr> </thead> <tbody> <tr><td>A</td><td>A</td><td>M</td><td>V</td><td>1</td><td>W</td><td>8</td><td>Z̄</td></tr> <tr><td>B</td><td>Ā</td><td>N</td><td>V̄</td><td>2</td><td>W̄</td><td>9</td><td>Z</td></tr> <tr><td>C</td><td>B</td><td>P</td><td>W</td><td>3</td><td>V</td><td>10</td><td>B̄</td></tr> <tr><td>D</td><td>B̄</td><td>R</td><td>W̄</td><td>4</td><td>V̄</td><td>11</td><td>B</td></tr> <tr><td>E</td><td>Z</td><td>H</td><td>+5V</td><td>5</td><td>U</td><td>12</td><td>Ā</td></tr> <tr><td>F</td><td>Z̄</td><td>G</td><td>OV</td><td>6</td><td>Ū</td><td>13</td><td>A</td></tr> <tr><td>K</td><td>U</td><td>J</td><td>SHIELD</td><td>7</td><td>OV</td><td>14</td><td>+5V</td></tr> <tr><td>L</td><td>Ū</td><td></td><td></td><td></td><td>PLATE</td><td></td><td>SHIELD</td></tr> </tbody> </table> <p data-bbox="861 1639 973 1657">[Motor Side Connector]</p> <p data-bbox="1093 1639 1204 1657">[Driver Side Connector]</p> <ol style="list-style-type: none"> <li><b>Motor Side Connector(MS : Military Standard)</b> <ul style="list-style-type: none"> <li>Plug Spec. : MS3108A20-29S</li> </ul> </li> <li><b>Drive Side Connector(CN2)</b> <ul style="list-style-type: none"> <li>Case Spec. : 10314-52A0-008(3M) or SM-14J(Suntone)</li> <li>Connector Spec. : 10114-3000VE(3M) or SM-14J(Suntone)</li> </ul> </li> <li><b>Cable Spec. : 7P×0.25Q or 7P×AWG24</b></li> </ol>	PIN No.	Encoder Signal	PIN No.	Encoder Signal	PIN No.	Encoder Signal	PIN No.	Encoder Signal	A	A	M	V	1	W	8	Z̄	B	Ā	N	V̄	2	W̄	9	Z	C	B	P	W	3	V	10	B̄	D	B̄	R	W̄	4	V̄	11	B	E	Z	H	+5V	5	U	12	Ā	F	Z̄	G	OV	6	Ū	13	A	K	U	J	SHIELD	7	OV	14	+5V	L	Ū				PLATE		SHIELD
PIN No.	Encoder Signal	PIN No.	Encoder Signal	PIN No.	Encoder Signal	PIN No.	Encoder Signal																																																																						
A	A	M	V	1	W	8	Z̄																																																																						
B	Ā	N	V̄	2	W̄	9	Z																																																																						
C	B	P	W	3	V	10	B̄																																																																						
D	B̄	R	W̄	4	V̄	11	B																																																																						
E	Z	H	+5V	5	U	12	Ā																																																																						
F	Z̄	G	OV	6	Ū	13	A																																																																						
K	U	J	SHIELD	7	OV	14	+5V																																																																						
L	Ū				PLATE		SHIELD																																																																						

Note1) □□□ of Model Name indicates the kind and length of cable. And the declaration is as below.

Cable Length(m)	3	5	10	20
General Cable	N03	N05	N10	N20
Robotic Cable	F03	F05	F10	F20

Note1) □□□ of model name indicates the capacity of drive. And the declaration is as page 16/26/34/48.

## Signal Cable [Serial]

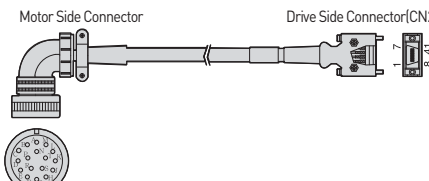
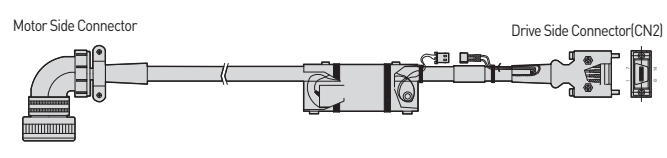
Type	Product Type	Model Name <sup>[Note1]</sup>	Applicable Drive <sup>[Note2]</sup>	Applicable Motor	Specifications																																																																		
For Signal	S Series Motor S-turn Encoder Cable (Small Capacity)	XLCS-E□□□CS	XDL-L7S□□□B L7NA□□□B L7NH□□□□U L7PA□□□□U	All Models of XML-SA SB SC Series	<table border="1"> <thead> <tr> <th>PIN No.</th> <th>Encoder Signal</th> <th>PIN No.</th> <th>Encoder Signal</th> <th>PIN No.</th> <th>Encoder Signal</th> </tr> </thead> <tbody> <tr> <td>1</td> <td>MA</td> <td>1</td> <td>-</td> <td>8</td> <td>-</td> </tr> <tr> <td>2</td> <td>MA</td> <td>2</td> <td>-</td> <td>9</td> <td>-</td> </tr> <tr> <td>3</td> <td>SLO</td> <td>3</td> <td>MA</td> <td>10</td> <td>-</td> </tr> <tr> <td>4</td> <td>SLO</td> <td>4</td> <td>MA</td> <td>11</td> <td>-</td> </tr> <tr> <td>5</td> <td>-</td> <td>5</td> <td>SLO</td> <td>12</td> <td>-</td> </tr> <tr> <td>6</td> <td>-</td> <td>6</td> <td>SLO</td> <td>13</td> <td>-</td> </tr> <tr> <td>7</td> <td>+5V</td> <td>7</td> <td>OV</td> <td>14</td> <td>+5V</td> </tr> <tr> <td>8</td> <td>OV</td> <td colspan="2">PLATE</td> <td colspan="2">SHIELD</td> </tr> <tr> <td>9</td> <td>SHIELD</td> <td colspan="4">[Driver Side Connector]</td> </tr> </tbody> </table> <p>[Motor Side Connector]</p> <ol style="list-style-type: none"> <li><b>Motor Side Connector</b> <ul style="list-style-type: none"> <li>Cap Spec.(9 Position) : 172161-1(AMP)</li> <li>Socket Spec. : 170361-1(AMP)</li> </ul> </li> <li><b>Drive Side Connector(CN2)</b> <ul style="list-style-type: none"> <li>Case Spec. : 10314-52A0-008(3M) or SM-14J(Suntone)</li> <li>Connector Spec. : 10114-3000VE(3M) or SM-14J(Suntone)</li> </ul> </li> <li><b>Cable Spec. : 3P × 0.25Q or 3P × 24AWG</b></li> </ol>	PIN No.	Encoder Signal	PIN No.	Encoder Signal	PIN No.	Encoder Signal	1	MA	1	-	8	-	2	MA	2	-	9	-	3	SLO	3	MA	10	-	4	SLO	4	MA	11	-	5	-	5	SLO	12	-	6	-	6	SLO	13	-	7	+5V	7	OV	14	+5V	8	OV	PLATE		SHIELD		9	SHIELD	[Driver Side Connector]									
					PIN No.	Encoder Signal	PIN No.	Encoder Signal	PIN No.	Encoder Signal																																																													
1	MA	1	-	8	-																																																																		
2	MA	2	-	9	-																																																																		
3	SLO	3	MA	10	-																																																																		
4	SLO	4	MA	11	-																																																																		
5	-	5	SLO	12	-																																																																		
6	-	6	SLO	13	-																																																																		
7	+5V	7	OV	14	+5V																																																																		
8	OV	PLATE		SHIELD																																																																			
9	SHIELD	[Driver Side Connector]																																																																					
For Signal	S Series Motor M-turn Encoder Cable (Small Capacity)	XLCS-E□□□CS1	XDL-L7S□□□B L7NA□□□B L7NH□□□□U L7PA□□□□U	All Models of XML-SA SB SC Series	<table border="1"> <thead> <tr> <th>PIN No.</th> <th>Encoder Signal</th> <th>PIN No.</th> <th>Encoder Signal</th> <th>PIN No.</th> <th>Encoder Signal</th> </tr> </thead> <tbody> <tr> <td>1</td> <td>MA</td> <td>1</td> <td>-</td> <td>8</td> <td>-</td> </tr> <tr> <td>2</td> <td>MA</td> <td>2</td> <td>-</td> <td>9</td> <td>-</td> </tr> <tr> <td>3</td> <td>SL</td> <td>3</td> <td>MA</td> <td>10</td> <td>-</td> </tr> <tr> <td>4</td> <td>SL</td> <td>4</td> <td>MA</td> <td>11</td> <td>-</td> </tr> <tr> <td>5</td> <td>VOD_B</td> <td>5</td> <td>SLO</td> <td>12</td> <td>-</td> </tr> <tr> <td>6</td> <td>GND_B</td> <td>6</td> <td>SLO</td> <td>13</td> <td>-</td> </tr> <tr> <td>7</td> <td>+5V</td> <td>7</td> <td>OV</td> <td>14</td> <td>+5V</td> </tr> <tr> <td>8</td> <td>OV</td> <td colspan="2">PLATE</td> <td colspan="2">SHIELD</td> </tr> <tr> <td>9</td> <td>SHIELD</td> <td colspan="4">[Driver Side Connector]</td> </tr> </tbody> </table> <p>[Motor Side Connector]</p> <table border="1"> <thead> <tr> <th>PIN No.</th> <th>Encoder Signal</th> </tr> </thead> <tbody> <tr> <td>1</td> <td>BATTERY(VDD_B)</td> </tr> <tr> <td>2</td> <td>BATTERY OV(GND_B)</td> </tr> </tbody> </table> <p>(Battery Connector)</p> <ol style="list-style-type: none"> <li><b>Motor Side Connector</b> <ul style="list-style-type: none"> <li>Cap Spec.(9 Position) : 172161-1(AMP)</li> <li>Socket Spec. : 170361-1(AMP)</li> </ul> </li> <li><b>Drive Side Connector(CN2)</b> <ul style="list-style-type: none"> <li>Case Spec. : 10314-52A0-008(3M) or SM-14J(Suntone)</li> <li>Connector Spec. : 10114-3000VE(3M) or SM-14J(Suntone)</li> </ul> </li> <li><b>Cable Spec. : 4P × 0.25Q or 4P × 24AWG</b></li> <li><b>Battery Connector Spec : 5267-02A(MOLEX)</b></li> </ol>	PIN No.	Encoder Signal	PIN No.	Encoder Signal	PIN No.	Encoder Signal	1	MA	1	-	8	-	2	MA	2	-	9	-	3	SL	3	MA	10	-	4	SL	4	MA	11	-	5	VOD_B	5	SLO	12	-	6	GND_B	6	SLO	13	-	7	+5V	7	OV	14	+5V	8	OV	PLATE		SHIELD		9	SHIELD	[Driver Side Connector]				PIN No.	Encoder Signal	1	BATTERY(VDD_B)	2	BATTERY OV(GND_B)
PIN No.	Encoder Signal	PIN No.	Encoder Signal	PIN No.	Encoder Signal																																																																		
1	MA	1	-	8	-																																																																		
2	MA	2	-	9	-																																																																		
3	SL	3	MA	10	-																																																																		
4	SL	4	MA	11	-																																																																		
5	VOD_B	5	SLO	12	-																																																																		
6	GND_B	6	SLO	13	-																																																																		
7	+5V	7	OV	14	+5V																																																																		
8	OV	PLATE		SHIELD																																																																			
9	SHIELD	[Driver Side Connector]																																																																					
PIN No.	Encoder Signal																																																																						
1	BATTERY(VDD_B)																																																																						
2	BATTERY OV(GND_B)																																																																						

Note1) □ □ □ of Model Name indicates the kind and length of cable. And the declaration is as below.

Cable Length(m)	3	5	10	20
General Cable	N03	N05	N10	N20
Robotic Cable	F03	F05	F10	F20

Note1) □ □ □ of model name indicates the capacity of drive. And the declaration is as page 16/26/34/48.

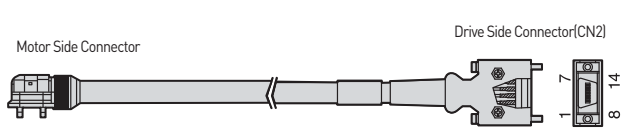
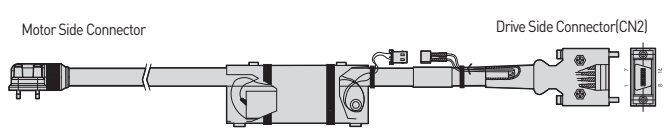
## Signal Cable [Serial]

Type	Product Type	Model Name <sup>(Note1)</sup>	Applicable Drive <sup>(Note2)</sup>	Applicable Motor	Specifications																																																																														
For Signal	S/F Series Motor S-turn Encoder Cable (Middle Capacity)	XLCS-E□□□DS	XDL-L7S□□□B L7NA□□□B L7NH□□□□U L7PA□□□U	All Models of XML-SE FE/SEP/FEP SF/FF SFP/FFP SG/FG SGP/FGP LF LG Series	 <table border="1" data-bbox="893 694 1356 918"> <thead> <tr> <th>PIN No.</th> <th>Encoder Signal</th> <th>PIN No.</th> <th>Encoder Signal</th> <th>PIN No.</th> <th>Encoder Signal</th> <th>PIN No.</th> <th>Encoder Signal</th> </tr> </thead> <tbody> <tr><td>A</td><td>A</td><td>M</td><td>V</td><td>1</td><td>W</td><td>8</td><td>Z</td></tr> <tr><td>B</td><td><math>\bar{A}</math></td><td>N</td><td><math>\bar{V}</math></td><td>2</td><td><math>\bar{W}</math></td><td>9</td><td>Z</td></tr> <tr><td>C</td><td>B</td><td>P</td><td>W</td><td>3</td><td>V</td><td>10</td><td><math>\bar{B}</math></td></tr> <tr><td>D</td><td><math>\bar{B}</math></td><td>R</td><td><math>\bar{W}</math></td><td>4</td><td><math>\bar{V}</math></td><td>11</td><td>B</td></tr> <tr><td>E</td><td>Z</td><td>H</td><td>+5V</td><td>5</td><td>U</td><td>12</td><td><math>\bar{A}</math></td></tr> <tr><td>F</td><td><math>\bar{Z}</math></td><td>G</td><td>OV</td><td>6</td><td><math>\bar{U}</math></td><td>13</td><td>A</td></tr> <tr><td>K</td><td>U</td><td>J</td><td>SHIELD</td><td>7</td><td>OV</td><td>14</td><td>+5V</td></tr> <tr><td>L</td><td><math>\bar{U}</math></td><td></td><td></td><td></td><td>PLATE</td><td></td><td>SHIELD</td></tr> </tbody> </table> <p data-bbox="893 918 1356 940">(Motor Side Connector) (Motor Side Connector)</p> <ol style="list-style-type: none"> <li>Motor Side Connector (MS : Military Standard) <ul style="list-style-type: none"> <li>Plug Spec. : MS3108B20-29S</li> </ul> </li> <li>Drive Side Connector (CN2) <ul style="list-style-type: none"> <li>Case Spec. : 10314-52A0-008(3M) or SM-14J(Suntone)</li> <li>Connector Spec. : 10114-3000VE(3M) or SM-14J(Suntone)</li> </ul> </li> <li>Cable Spec. : 3P×0.25Q or 3P×24AWG</li> </ol>	PIN No.	Encoder Signal	PIN No.	Encoder Signal	PIN No.	Encoder Signal	PIN No.	Encoder Signal	A	A	M	V	1	W	8	Z	B	$\bar{A}$	N	$\bar{V}$	2	$\bar{W}$	9	Z	C	B	P	W	3	V	10	$\bar{B}$	D	$\bar{B}$	R	$\bar{W}$	4	$\bar{V}$	11	B	E	Z	H	+5V	5	U	12	$\bar{A}$	F	$\bar{Z}$	G	OV	6	$\bar{U}$	13	A	K	U	J	SHIELD	7	OV	14	+5V	L	$\bar{U}$				PLATE		SHIELD						
					PIN No.	Encoder Signal	PIN No.	Encoder Signal	PIN No.	Encoder Signal	PIN No.	Encoder Signal																																																																							
A	A	M	V	1	W	8	Z																																																																												
B	$\bar{A}$	N	$\bar{V}$	2	$\bar{W}$	9	Z																																																																												
C	B	P	W	3	V	10	$\bar{B}$																																																																												
D	$\bar{B}$	R	$\bar{W}$	4	$\bar{V}$	11	B																																																																												
E	Z	H	+5V	5	U	12	$\bar{A}$																																																																												
F	$\bar{Z}$	G	OV	6	$\bar{U}$	13	A																																																																												
K	U	J	SHIELD	7	OV	14	+5V																																																																												
L	$\bar{U}$				PLATE		SHIELD																																																																												
For Signal	S/F Series Motor M-turn Encoder Cable (Middle Capacity)	XLCS-E□□□DS1	XDL-L7S□□□B L7NA□□□B L7NH□□□□U L7PA□□□U	All Models of XML-SE/FE SEP/FEP SF/FF SFP/FFP SG/FG/ SGP/FGP LF LG Series	 <table border="1" data-bbox="845 1344 1436 1590"> <thead> <tr> <th>PIN No.</th> <th>Encoder Signal</th> <th>PIN No.</th> <th>Encoder Signal</th> <th>PIN No.</th> <th>Encoder Signal</th> <th>PIN No.</th> <th>Encoder Signal</th> </tr> </thead> <tbody> <tr><td>A</td><td>MA</td><td>M</td><td>-</td><td>1</td><td>-</td><td>8</td><td>-</td></tr> <tr><td>B</td><td><math>\bar{M}</math></td><td>N</td><td>-</td><td>2</td><td>-</td><td>9</td><td>-</td></tr> <tr><td>C</td><td>SLO</td><td>P</td><td>-</td><td>3</td><td>MA</td><td>10</td><td>-</td></tr> <tr><td>D</td><td><math>\bar{SLO}</math></td><td>R</td><td>-</td><td>4</td><td><math>\bar{M}</math></td><td>11</td><td>-</td></tr> <tr><td>E</td><td>VOD_B</td><td>H</td><td>+5V</td><td>5</td><td>SLO</td><td>12</td><td>-</td></tr> <tr><td>F</td><td><math>\bar{GND}_B</math></td><td>G</td><td>OV</td><td>6</td><td><math>\bar{SLO}</math></td><td>13</td><td>-</td></tr> <tr><td>G</td><td>-</td><td>J</td><td>SHIELD</td><td>7</td><td>OV</td><td>14</td><td>+5V</td></tr> <tr><td>L</td><td>-</td><td></td><td></td><td></td><td>PLATE</td><td></td><td>SHIELD</td></tr> </tbody> </table> <p data-bbox="845 1590 1436 1612">(Motor Side Connector) (Drive Side Connector)</p> <table border="1" data-bbox="1324 1411 1436 1568"> <thead> <tr> <th>PIN No.</th> <th>Encoder Signal</th> </tr> </thead> <tbody> <tr><td>1</td><td>BATTERY (VDD_B)</td></tr> <tr><td>2</td><td>BATTERY OV (GND_B)</td></tr> </tbody> </table> <p data-bbox="1324 1568 1436 1590">(Driver Side Connector)</p> <ol style="list-style-type: none"> <li>Motor Side Connector (MS : Military Standard) <ul style="list-style-type: none"> <li>Plug Spec. : MS3108B20-29S</li> </ul> </li> <li>Drive Side Connector (CN2) <ul style="list-style-type: none"> <li>Case Spec. : 10314-52A0-008(3M) or SM-14J(Suntone)</li> <li>Connector Spec. : 10114-3000VE(3M) or SM-14J(Suntone)</li> </ul> </li> <li>Cable Spec. : 4P×0.25Q or 4P×24AWG</li> <li>Battery Connector Spec. : 5267-02A(MOLEX)</li> </ol>	PIN No.	Encoder Signal	PIN No.	Encoder Signal	PIN No.	Encoder Signal	PIN No.	Encoder Signal	A	MA	M	-	1	-	8	-	B	$\bar{M}$	N	-	2	-	9	-	C	SLO	P	-	3	MA	10	-	D	$\bar{SLO}$	R	-	4	$\bar{M}$	11	-	E	VOD_B	H	+5V	5	SLO	12	-	F	$\bar{GND}_B$	G	OV	6	$\bar{SLO}$	13	-	G	-	J	SHIELD	7	OV	14	+5V	L	-				PLATE		SHIELD	PIN No.	Encoder Signal	1	BATTERY (VDD_B)	2	BATTERY OV (GND_B)
PIN No.	Encoder Signal	PIN No.	Encoder Signal	PIN No.	Encoder Signal	PIN No.	Encoder Signal																																																																												
A	MA	M	-	1	-	8	-																																																																												
B	$\bar{M}$	N	-	2	-	9	-																																																																												
C	SLO	P	-	3	MA	10	-																																																																												
D	$\bar{SLO}$	R	-	4	$\bar{M}$	11	-																																																																												
E	VOD_B	H	+5V	5	SLO	12	-																																																																												
F	$\bar{GND}_B$	G	OV	6	$\bar{SLO}$	13	-																																																																												
G	-	J	SHIELD	7	OV	14	+5V																																																																												
L	-				PLATE		SHIELD																																																																												
PIN No.	Encoder Signal																																																																																		
1	BATTERY (VDD_B)																																																																																		
2	BATTERY OV (GND_B)																																																																																		

Note1] □□□ of Model Name indicates the kind and length of cable. And the declaration is as below.

Cable Length(m)	3	5	10	20
General Cable	N03	N05	N10	N20
Robotic Cable	F03	F05	F10	F20

Note1] □□□ of model name indicates the capacity of drive. And the declaration is as page 16/26/34/48.

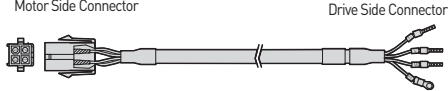

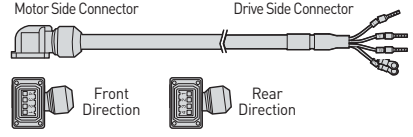
Type	Product Type	Model Name <sup>(Note1)</sup>	Applicable Drive <sup>(Note2)</sup>	Applicable Motor	Specifications																																																												
For Signal	F Series Motor S-turn Encoder Cable (Small Capacity)	XLCS-E□□□ES-□	XDL-L7S□□□B L7NA□□□B L7NH□□□□U L7PA□□□U	All Models of XML-FAL FB/FBL FC/FCL Series	 <p>Motor Side Connector</p> <p>Drive Side Connector(CN2)</p> <table border="1"> <thead> <tr> <th>PIN No.</th> <th>Encoder Signal</th> <th>PIN No.</th> <th>Encoder Signal</th> <th>PIN No.</th> <th>Encoder Signal</th> </tr> </thead> <tbody> <tr> <td>1</td> <td>MA</td> <td>1</td> <td>-</td> <td>8</td> <td>-</td> </tr> <tr> <td>2</td> <td>SLO</td> <td>2</td> <td>-</td> <td>9</td> <td>-</td> </tr> <tr> <td>3</td> <td>-</td> <td>3</td> <td>MA</td> <td>10</td> <td>-</td> </tr> <tr> <td>4</td> <td>OV</td> <td>4</td> <td>MA</td> <td>11</td> <td>-</td> </tr> <tr> <td>5</td> <td>SHIELD</td> <td>5</td> <td>SLO</td> <td>12</td> <td>-</td> </tr> <tr> <td>6</td> <td>MA</td> <td>6</td> <td>SLO</td> <td>13</td> <td>-</td> </tr> <tr> <td>7</td> <td>SLO</td> <td>7</td> <td>OV</td> <td>14</td> <td>+5V</td> </tr> <tr> <td>8</td> <td>-</td> <td colspan="2">PLATE</td> <td colspan="2">SHIELD</td> </tr> <tr> <td>9</td> <td>+5V</td> <td colspan="4"></td> </tr> </tbody> </table> <p>(Motor Side Connector)</p> <p>(Drive Side Connector)</p> <p>1. Motor Side Connector</p> <ul style="list-style-type: none"> <li>• Cap Spec. : 2201825-1(Tyco)</li> <li>• Socket Spec. : 2174065-4(Tyco)</li> </ul> <p>2. Drive Side Connector(CN2)</p> <ul style="list-style-type: none"> <li>• Case Spec. : 10314-52A0-008(3M) or SM-14J(Suntone)</li> <li>• Connector Spec. : 10114-3000VE(3M) or SM-14J(Suntone)</li> </ul> <p>3. Cable Spec. : 3P×0.25Q or 3P×24AWG</p>	PIN No.	Encoder Signal	PIN No.	Encoder Signal	PIN No.	Encoder Signal	1	MA	1	-	8	-	2	SLO	2	-	9	-	3	-	3	MA	10	-	4	OV	4	MA	11	-	5	SHIELD	5	SLO	12	-	6	MA	6	SLO	13	-	7	SLO	7	OV	14	+5V	8	-	PLATE		SHIELD		9	+5V				
					PIN No.	Encoder Signal	PIN No.	Encoder Signal	PIN No.	Encoder Signal																																																							
1	MA	1	-	8	-																																																												
2	SLO	2	-	9	-																																																												
3	-	3	MA	10	-																																																												
4	OV	4	MA	11	-																																																												
5	SHIELD	5	SLO	12	-																																																												
6	MA	6	SLO	13	-																																																												
7	SLO	7	OV	14	+5V																																																												
8	-	PLATE		SHIELD																																																													
9	+5V																																																																
For Signal	F Series Motor M-turn Encoder Cable (Small Capacity)	XLCS-E□□□ES1-□	XDL-L7S□□□B L7NA□□□B L7NH□□□□U L7PA□□□U	All Models of XML-FAL FB/FBL FC/FCL Series	 <p>Motor Side Connector</p> <p>Drive Side Connector(CN2)</p> <table border="1"> <thead> <tr> <th>PIN No.</th> <th>Encoder Signal</th> <th>PIN No.</th> <th>Encoder Signal</th> <th>PIN No.</th> <th>Encoder Signal</th> </tr> </thead> <tbody> <tr> <td>1</td> <td>MA</td> <td>1</td> <td>-</td> <td>8</td> <td>-</td> </tr> <tr> <td>2</td> <td>SLO</td> <td>2</td> <td>-</td> <td>9</td> <td>-</td> </tr> <tr> <td>3</td> <td>GND_B</td> <td>3</td> <td>MA</td> <td>10</td> <td>-</td> </tr> <tr> <td>4</td> <td>OV</td> <td>4</td> <td>MA</td> <td>11</td> <td>-</td> </tr> <tr> <td>5</td> <td>SHIELD</td> <td>5</td> <td>SLO</td> <td>12</td> <td>-</td> </tr> <tr> <td>6</td> <td>MA</td> <td>6</td> <td>SLO</td> <td>13</td> <td>-</td> </tr> <tr> <td>7</td> <td>SLO</td> <td>7</td> <td>OV</td> <td>14</td> <td>+5V</td> </tr> <tr> <td>8</td> <td>VOD_B</td> <td colspan="2">PLATE</td> <td colspan="2">SHIELD</td> </tr> <tr> <td>9</td> <td>+5V</td> <td colspan="4"></td> </tr> </tbody> </table> <p>(Motor Side Connector)</p> <p>(Driver Side Connector)</p> <p>1. Motor Side Connector</p> <ul style="list-style-type: none"> <li>• Cap Spec. : 2201825-1(Tyco)</li> <li>• Socket Spec. : 2174065-4(Tyco)</li> </ul> <p>2. Drive Side Connector(CN2)</p> <ul style="list-style-type: none"> <li>• Case Spec. : 10314-52A0-008(3M) or SM-14J(Suntone)</li> <li>• Connector Spec. : 10114-3000VE(3M) or SM-14J(Suntone)</li> </ul> <p>3. Cable Spec. : 4P×0.25Q or 4P×24AWG</p> <p>4. Battery Connector Spec. : 5267-02A(MOLEX)</p>	PIN No.	Encoder Signal	PIN No.	Encoder Signal	PIN No.	Encoder Signal	1	MA	1	-	8	-	2	SLO	2	-	9	-	3	GND_B	3	MA	10	-	4	OV	4	MA	11	-	5	SHIELD	5	SLO	12	-	6	MA	6	SLO	13	-	7	SLO	7	OV	14	+5V	8	VOD_B	PLATE		SHIELD		9	+5V				
PIN No.	Encoder Signal	PIN No.	Encoder Signal	PIN No.	Encoder Signal																																																												
1	MA	1	-	8	-																																																												
2	SLO	2	-	9	-																																																												
3	GND_B	3	MA	10	-																																																												
4	OV	4	MA	11	-																																																												
5	SHIELD	5	SLO	12	-																																																												
6	MA	6	SLO	13	-																																																												
7	SLO	7	OV	14	+5V																																																												
8	VOD_B	PLATE		SHIELD																																																													
9	+5V																																																																

Note1) □□□ of Model Name indicates the kind and length of cable. And the declaration is as below.  
 In case of □ marked product, the connector can draw in a direction of Front(load) / Rear(half load).(Front Type : No mark, Rear Type : -R)  
 In case of FAL Type, the connector can draw in a direction of Front.

Cable Length(m)	3	5	10	20
General Cable	N03	N05	N10	N20
Robotic Cable	F03	F05	F10	F20

Note1) □□□ of model name indicates the capacity of drive. And the declaration is as page 16/26/34/48.

## Power Cable [200V]

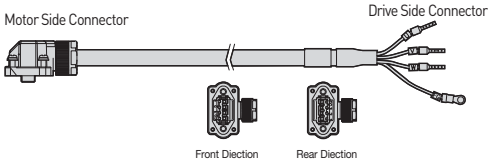
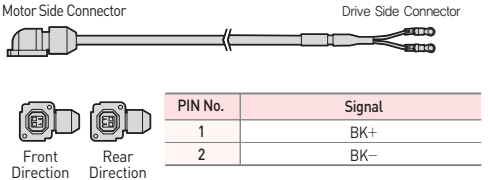
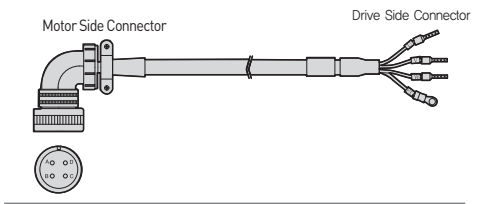
Type	Product Type	Model Name <sup>[Note1]</sup>	Applicable Drive <sup>[Note2]</sup>	Applicable Motor	Specifications										
For Power	S Series Power Cable (Small Capacity)	XLCS-P □□□GS	XDL-L7SA□□□A L7NHA□□□U L7PA□□□U	All Models of XML- SA SB SC HB Series	 <table border="1"> <thead> <tr> <th>PIN No.</th> <th>Signal</th> </tr> </thead> <tbody> <tr> <td>1</td> <td>U</td> </tr> <tr> <td>2</td> <td>V</td> </tr> <tr> <td>3</td> <td>W</td> </tr> <tr> <td>4</td> <td>Ground</td> </tr> </tbody> </table> <p> <b>1. Motor Side Connector</b>                      • Cap Spec.(4 Position) : 172159-1(AMP)                      • Socket Spec. : 170362-1(AMP)                 </p> <p> <b>2. Drive Side Connector(U, V, W, FG)</b>                      • U, V, W Pin Spec. : 1512                      • FG Pin Spec. : 1.54x4(Ring Terminal)                 </p> <p> <b>3. Cable Spec. : 4C×0.75SQ or 4C×18AWG</b> </p>	PIN No.	Signal	1	U	2	V	3	W	4	Ground
					PIN No.	Signal									
1	U														
2	V														
3	W														
4	Ground														
 <table border="1"> <thead> <tr> <th>PIN No.</th> <th>Signal</th> </tr> </thead> <tbody> <tr> <td>1</td> <td>BK+</td> </tr> <tr> <td>2</td> <td>BK-</td> </tr> </tbody> </table> <p> <b>1. Motor Side Connector</b>                      • Cap Spec.(2 Position) : 172157-1(AMP)                      • Socket Spec. : 170362-1(AMP)                 </p> <p> <b>2. Drive Side Connector(U, V, W, FG)</b>                      • Connecting terminal Spec. : 1.5x3(Ring Terminal)                 </p> <p> <b>3. Cable Spec. : 2C×0.75SQ or 2C×18AWG</b> </p>	PIN No.	Signal	1	BK+	2	BK-									
PIN No.	Signal														
1	BK+														
2	BK-														
For Power	F Series Power Cable (Small Capacity)	XLCS-P □□□FS-□	XDL-L7SA□□□B L7NA□□□B L7NHA□□□U L7PA□□□U	All Models of XML- FB FC Series	 <table border="1"> <thead> <tr> <th>PIN No.</th> <th>Signal</th> </tr> </thead> <tbody> <tr> <td>1</td> <td>W</td> </tr> <tr> <td>2</td> <td>V</td> </tr> <tr> <td>3</td> <td>U</td> </tr> <tr> <td>4</td> <td>Ground</td> </tr> </tbody> </table> <p> <b>1. Motor Side Connector</b>                      • Plug Spec. : KN5FT04SJ1(JAE)                      • Socket Spec. : ST-KN-S-C1B-3500(JAE)                 </p> <p> <b>2. Drive Side Connector(U, V, W, FG)</b>                      • U, V, W Pin Spec. : 1512                      • FG Pin Spec. : 1.5x4(Ring Terminal)                 </p> <p> <b>3. Cable Spec. : 4C×0.75SQ or 4C×18AWG</b> </p>	PIN No.	Signal	1	W	2	V	3	U	4	Ground
PIN No.	Signal														
1	W														
2	V														
3	U														
4	Ground														

Note1) □ □ □ of Model Name indicates the kind and length of cable. And the declaration is as below.

In case of □ marked product, the connector can draw in a direction of Front(load) / Rear(half load).[Front Type : No mark, Rear Type : -R]

Cable Length(m)	3	5	10	20
General Cable(N)	N03	N05	N10	N20
Robotic Cable(F)	F03	F05	F10	F20

Note1) □ □ □ of model name indicates the capacity of drive. And the declaration is as page 16/26/34/48.

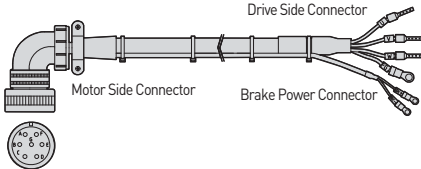
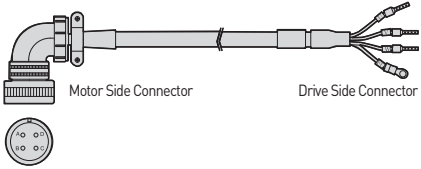
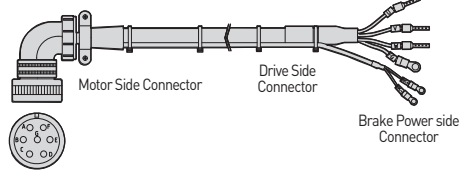
Type	Product Type	Model Name <sup>[Note1]</sup>	Applicable Drive <sup>[Note2]</sup>	Applicable Motor	Specifications										
For Power	L Series Power Cable (Small Capacity)	XLCS-P □□□LS-□	XDL- L7SA□□□B L7NA□□□B L7NHA□□□U L7PA□□□U	All Models of XML- FAL FBL FCL Series	 <table border="1" data-bbox="1241 600 1441 705"> <thead> <tr> <th>PIN No.</th> <th>Signal</th> </tr> </thead> <tbody> <tr> <td>A</td> <td>U</td> </tr> <tr> <td>B</td> <td>V</td> </tr> <tr> <td>C</td> <td>W</td> </tr> <tr> <td>D</td> <td>Ground</td> </tr> </tbody> </table> <ol style="list-style-type: none"> <li><b>Motor Side Connector</b> <ul style="list-style-type: none"> <li>Plug Spec. : SM-JN8FT04(Suntone)</li> <li>Socket Spec. : SMS-201(Suntone)</li> </ul> </li> <li><b>Drive Side Connector (U,V,W,FG)</b> <ul style="list-style-type: none"> <li>U, V, W Pin Spec. : 1512(Ferrule)</li> <li>FG Pin Spec. : 1.5x4 (Ring Terminal)</li> </ul> </li> <li><b>Cable Spec. : 4C×0.75SQ or 4C×18AWG</b></li> <li><b>In case of FAL products, Please install Power Cable first before connecting Encoder Cable</b></li> </ol>	PIN No.	Signal	A	U	B	V	C	W	D	Ground
PIN No.	Signal														
A	U														
B	V														
C	W														
D	Ground														
For Power	Brake Cable for Flat Motor (Small Capacity)	XLCS-B □□□GS-□	XDL- L7SA□□□B L7NA□□□B L7NHA□□□U L7PA□□□U	All Models of XML- FAL FB/FBL FC/FCL Series	 <table border="1" data-bbox="1101 1019 1420 1097"> <thead> <tr> <th>PIN No.</th> <th>Signal</th> </tr> </thead> <tbody> <tr> <td>1</td> <td>BK+</td> </tr> <tr> <td>2</td> <td>BK-</td> </tr> </tbody> </table> <ol style="list-style-type: none"> <li><b>Motor Side Connector</b> <ul style="list-style-type: none"> <li>Plug Spec. : KN5FT02SJ1</li> <li>Socket Spec. : ST-KN-S-C1B-3500</li> </ul> </li> <li><b>Drive Side Connector</b> <ul style="list-style-type: none"> <li>Connecting terminal Spec. : 1.5x3(Ring Terminal)</li> </ul> </li> <li><b>Cable Spec. : 2C×0.55SQ or 2C×20AWG</b></li> </ol>	PIN No.	Signal	1	BK+	2	BK-				
PIN No.	Signal														
1	BK+														
2	BK-														
For Power	Power Cable (Middle Capacity)	XLCS-P □□□HS	XDL- L7SA□□□A L7SA□□□B L7NA□□□B L7NHA□□□U L7PA□□□U	All Models of XML- SE FE HE Series	 <table border="1" data-bbox="949 1534 1417 1653"> <thead> <tr> <th>PIN No.</th> <th>Signal</th> </tr> </thead> <tbody> <tr> <td>A</td> <td>U</td> </tr> <tr> <td>B</td> <td>V</td> </tr> <tr> <td>C</td> <td>W</td> </tr> <tr> <td>D</td> <td>Ground</td> </tr> </tbody> </table> <ol style="list-style-type: none"> <li><b>Motor Side Connector</b> <ul style="list-style-type: none"> <li>Plug Spec. : MS3108A20-4S</li> </ul> </li> <li><b>Drive Side Connector</b> <ul style="list-style-type: none"> <li>FG Pin Spec. : 22x6(Ring Terminal)</li> </ul> </li> <li><b>Cable Spec. : 4C×2.55SQ or 4C×14AWG</b></li> </ol>	PIN No.	Signal	A	U	B	V	C	W	D	Ground
PIN No.	Signal														
A	U														
B	V														
C	W														
D	Ground														

**Note1)** □ □ □ of Model Name indicates the kind and length of cable. And the declaration is as below.  
 In case of □ marked product, the connector can draw in a direction of Front(load) / Rear(half load). (Front Type : No mark, Rear Type : -R)

Cable Length(m)	3	5	10	20
General Cable(N)	N03	N05	N10	N20
Robotic Cable(F)	F03	F05	F10	F20

**Note1)** □ □ □ of model name indicates the capacity of drive. And the declaration is as page 16/26/34/48.

## Power Cable [200V]

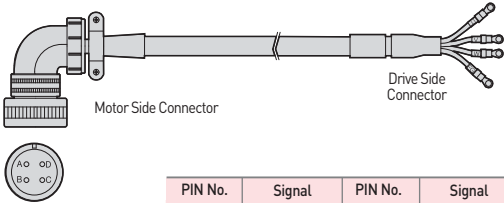
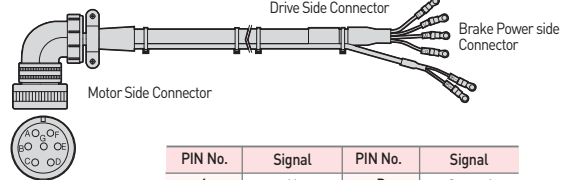
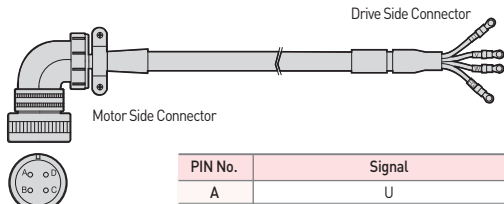
Type	Product Type	Model Name <sup>[Note1]</sup>	Applicable Drive <sup>[Note2]</sup>	Applicable Motor	Specifications																
For Power	Power Cable (Brake Type)	XLCS-P □□□NB	XDL- L7SA□□□A L7SA□□□B L7NA□□□B L7NHA□□□U L7PA□□□U	All Models of XML- SE FE Series	 <table border="1"> <thead> <tr> <th>PIN No.</th> <th>Signal</th> <th>PIN No.</th> <th>Signal</th> </tr> </thead> <tbody> <tr> <td>A</td> <td>U</td> <td>D</td> <td>Ground</td> </tr> <tr> <td>B</td> <td>V</td> <td>E</td> <td>BK+</td> </tr> <tr> <td>C</td> <td>W</td> <td>F</td> <td>BK-</td> </tr> </tbody> </table> <p> <b>1. Motor Side Connector</b>                      • Plug Spec. : MS3108A20-15S(MS)                 </p> <p> <b>2. Drive Side Connector</b>                      • U, V, W Pin Spec. : 2512                      • Cable Spec. : 4Cx2.5SQ or 4Cx41AWG                      • FG Pin Spec. : 2.5x4(Ring Terminal)                 </p> <p> <b>3. Brake Power side Connector</b>                      • BK Pin Spec. : 1.5x3(Ring Terminal)                      • Cable Spec. : 2Cx0.75SQ or 2Cx18AWG                 </p>	PIN No.	Signal	PIN No.	Signal	A	U	D	Ground	B	V	E	BK+	C	W	F	BK-
PIN No.	Signal	PIN No.	Signal																		
A	U	D	Ground																		
B	V	E	BK+																		
C	W	F	BK-																		
For Power	Power Cable (Middle Capacity)	XLCS-P □□□IS	XDL- L7SA□□□A L7SA□□□B L7NA□□□B L7NHA□□□U L7PA□□□U	XML- SF30A SF22D/LF35D SF20G/LF30G SF12M/SF20M LF30M/SG22D LG35D/SG20G LG30G/SG12M SG20M/LG30M FF30A/FF22D FF35D/FF20G FF30G/FF12M FF20M/FF30M FG22D/FG35D FG20G/FG30G FG12M/FG20M FG30M	 <table border="1"> <thead> <tr> <th>PIN No.</th> <th>Signal</th> </tr> </thead> <tbody> <tr> <td>1</td> <td>U</td> </tr> <tr> <td>2</td> <td>V</td> </tr> <tr> <td>3</td> <td>W</td> </tr> <tr> <td>4</td> <td>Ground</td> </tr> </tbody> </table> <p> <b>1. Motor Side Connector</b>                      • Plug Spec. : MS3108A22-22S(MS)                 </p> <p> <b>2. Drive Side Connector</b>                      • U, V, W Pin Spec. : 2512 • FG Pin Spec. : 2.5x4(Ring Terminal)                 </p> <p> <b>3. Cable Spec. : 4C x 2.5SQ or 4C14AWG</b> </p>	PIN No.	Signal	1	U	2	V	3	W	4	Ground						
PIN No.	Signal																				
1	U																				
2	V																				
3	W																				
4	Ground																				
For Power	Power Cable (Brake Type)	XLCS-P □□□PB	XDL- L7SA□□□A L7SA□□□B L7NA□□□B L7NHA□□□U L7PA□□□U	XML- SF30A SF22D/LF35D SF20G/LF30G SF12M/SF20M LF30M/FF30A FF22D/FF35D FF20G/FF30G FF12M/FF20M FF30M	 <table border="1"> <thead> <tr> <th>PIN No.</th> <th>Signal</th> </tr> </thead> <tbody> <tr> <td>A</td> <td>U</td> </tr> <tr> <td>B</td> <td>V</td> </tr> <tr> <td>C</td> <td>W</td> </tr> <tr> <td>D</td> <td>Ground</td> </tr> <tr> <td>E</td> <td>BK+</td> </tr> <tr> <td>F</td> <td>BK-</td> </tr> </tbody> </table> <p> <b>1. Motor Side Connector</b>                      • Plug Spec. : MS3108A24-10S(MS)                 </p> <p> <b>2. Drive Side Connector</b>                      • U, V, W Pin Spec. : F2512                      • Cable Spec. : 4Cx2.5SQ or 4Cx14AWG                      • FG Pin Spec. : 2.5x4(Ring Terminal)                 </p> <p> <b>3. Brake Power side Connector</b>                      • BK Pin Spec. : 1.5x3(Ring Terminal)                      • Cable Spec. : 2Cx0.75 S or 2Cx18AWG                 </p>	PIN No.	Signal	A	U	B	V	C	W	D	Ground	E	BK+	F	BK-		
PIN No.	Signal																				
A	U																				
B	V																				
C	W																				
D	Ground																				
E	BK+																				
F	BK-																				

Note1) □ □ □ of Model Name indicates the kind and length of cable. And the declaration is as below.

Cable Length(m)	3	5	10	20
General Cable(N)	N03	N05	N10	N20
Robotic Cable(F)	F03	F05	F10	F20

Note1) □ □ □ of model name indicates the capacity of drive. And the declaration is as page 16/26/34/48.



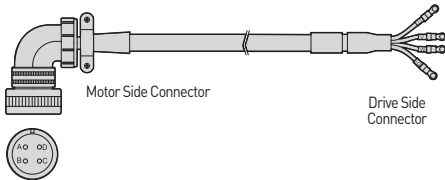
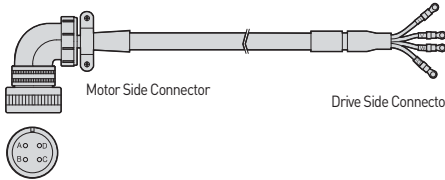
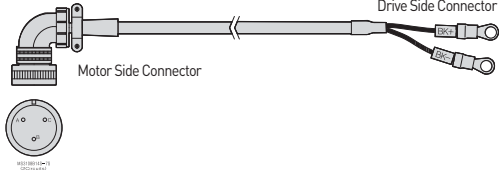
Type	Product Type	Model Name <sup>[Note1]</sup>	Applicable Drive <sup>[Note2]</sup>	Applicable Motor	Specifications																
For Power	Power Cable (Middle Capacity)	XLCS-P □□□JS	XDL-L7SA□□□A L7SA□□□B L7NA□□□B L7NHA□□□U L7PA□□□U	XML-SF50A SF55D/SF75D SF44G/SF60G SF44M/SG55D SG75D/SG44G SG60G/SG44M FF50A/FF55D FF75D/FF44G FF60G/FF44M FG55D/FG75D FG44G/FG60G FG44M	 <table border="1" data-bbox="1086 640 1444 712"> <thead> <tr> <th>PIN No.</th> <th>Signal</th> <th>PIN No.</th> <th>Signal</th> </tr> </thead> <tbody> <tr> <td>A</td> <td>U</td> <td>C</td> <td>W</td> </tr> <tr> <td>B</td> <td>V</td> <td>D</td> <td>Ground</td> </tr> </tbody> </table> <ol style="list-style-type: none"> <li><b>Motor Side Connector</b> <ul style="list-style-type: none"> <li>Plug Spec. : MS3108A22-22S(MS)</li> </ul> </li> <li><b>Drive Side Connector</b> <ul style="list-style-type: none"> <li>Connecting terminal Spec. : 6.0x5(Ring Terminal)</li> </ul> </li> <li><b>Brake Power Side Connector</b> <ul style="list-style-type: none"> <li>Cable Spec. : 4Cx6.0SQ or 4Cx10AWG</li> </ul> </li> </ol>	PIN No.	Signal	PIN No.	Signal	A	U	C	W	B	V	D	Ground				
					PIN No.	Signal	PIN No.	Signal													
A	U	C	W																		
B	V	D	Ground																		
For Power	Power Cable (Brake Type)	XLCS-P □□□LB	XDL-L7SA□□□A L7SA□□□B L7NA□□□B L7NHA□□□U L7PA□□□U	XML-SF50A SF55D/SF75D SF44G/SF60G SF44M/FF50A FF50D/FF75D FF44G/FF60G FF40M	 <table border="1" data-bbox="1086 1111 1444 1205"> <thead> <tr> <th>PIN No.</th> <th>Signal</th> <th>PIN No.</th> <th>Signal</th> </tr> </thead> <tbody> <tr> <td>A</td> <td>U</td> <td>D</td> <td>Ground</td> </tr> <tr> <td>B</td> <td>V</td> <td>E</td> <td>BK+</td> </tr> <tr> <td>C</td> <td>W</td> <td>F</td> <td>BK-</td> </tr> </tbody> </table> <ol style="list-style-type: none"> <li><b>Motor Side Connector</b> <ul style="list-style-type: none"> <li>Plug Spec. : MS3108A24-10S</li> </ul> </li> <li><b>Drive Side Connector</b> <ul style="list-style-type: none"> <li>Connecting terminal Spec. : 6x5(Ring Terminal)</li> <li>4Cx6.0SQ or 4Cx10AWG</li> </ul> </li> <li><b>Brake Power side Connector</b> <ul style="list-style-type: none"> <li>Connecting terminal Spec. : 1.5x3(Ring Terminal)</li> <li>Cable Spec. : 2Cx0.75SQ or 2Cx18AWG</li> </ul> </li> </ol>	PIN No.	Signal	PIN No.	Signal	A	U	D	Ground	B	V	E	BK+	C	W	F	BK-
					PIN No.	Signal	PIN No.	Signal													
A	U	D	Ground																		
B	V	E	BK+																		
C	W	F	BK-																		
For Power	Power Cable (Middle Capacity)	XLCS-P □□□MS	XDL-L7SA□□□A L7SA□□□B L7NA□□□B L7NHA□□□U L7PA□□□U	XML-SG60M,FG60M, SF75G/FF75G	 <table border="1" data-bbox="1086 1615 1444 1731"> <thead> <tr> <th>PIN No.</th> <th>Signal</th> </tr> </thead> <tbody> <tr> <td>A</td> <td>U</td> </tr> <tr> <td>B</td> <td>V</td> </tr> <tr> <td>C</td> <td>W</td> </tr> <tr> <td>D</td> <td>Ground</td> </tr> </tbody> </table> <ol style="list-style-type: none"> <li><b>Motor Side Connector</b> <ul style="list-style-type: none"> <li>Plug Spec.: MS3108A32-17S</li> </ul> </li> <li><b>Drive Side Connector</b> <ul style="list-style-type: none"> <li>Connecting terminal Spec.: 10x5(Ring Terminal)</li> </ul> </li> <li><b>Cable Spec:</b> 4Cx6.0SQ or 4Cx10AWG</li> </ol>	PIN No.	Signal	A	U	B	V	C	W	D	Ground						
					PIN No.	Signal															
A	U																				
B	V																				
C	W																				
D	Ground																				

Note1) □ □ □ of Model Name indicates the kind and length of cable. And the declaration is as below.

Cable Length(m)	3	5	10	20
General Cable(N)	N03	N05	N10	N20
Robotic Cable(F)	F03	F05	F10	F20

Note1) □ □ □ of model name indicates the capacity of drive. And the declaration is as page 16/26/34/48.

## Power Cable [200V]

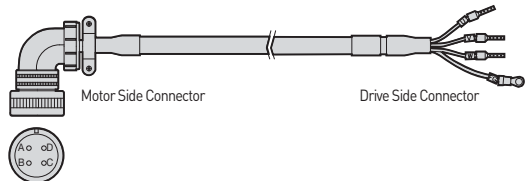
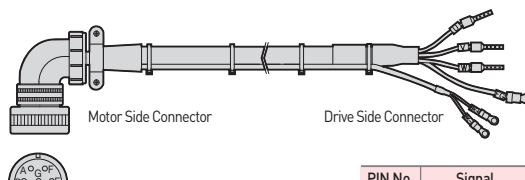
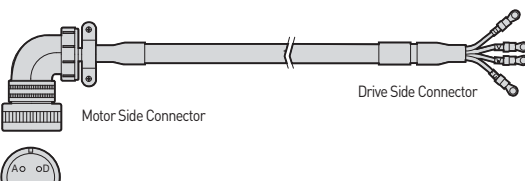
Type	Product Type	Model Name <sup>[Note1]</sup>	Applicable Drive <sup>[Note2]</sup>	Applicable Motor	Specifications										
For Power	Power Cable (Middle Capacity)	XLCS-P □□□0S	XDL-L7NHA□□□U L7PA□□□U	XML-SG85G/FG85G SG110D/FG110D SG110G/FG110G	 <table border="1" data-bbox="949 616 1417 734"> <thead> <tr> <th>PIN No.</th> <th>Signal</th> </tr> </thead> <tbody> <tr> <td>A</td> <td>U</td> </tr> <tr> <td>B</td> <td>V</td> </tr> <tr> <td>C</td> <td>W</td> </tr> <tr> <td>D</td> <td>Ground</td> </tr> </tbody> </table>	PIN No.	Signal	A	U	B	V	C	W	D	Ground
					PIN No.	Signal									
A	U														
B	V														
C	W														
D	Ground														
<ol style="list-style-type: none"> <li>Motor Side Connector <ul style="list-style-type: none"> <li>Plug Spec. : MS3108A 32-17S</li> </ul> </li> <li>Drive Side Connector <ul style="list-style-type: none"> <li>Connecting Terminal Spec. : 14x6(Ring Terminal)</li> </ul> </li> <li>Cable Spec. : 4Cx16SQ or 4Cx5AWG</li> </ol>															
For Power	Power Cable (Middle Capacity)	XLCS-P □□□VS	XDL-L7NHA□□□U L7PA□□□U	XML-SG150G/FG150G	 <table border="1" data-bbox="949 1108 1417 1227"> <thead> <tr> <th>PIN No.</th> <th>Signal</th> </tr> </thead> <tbody> <tr> <td>A</td> <td>U</td> </tr> <tr> <td>B</td> <td>V</td> </tr> <tr> <td>C</td> <td>W</td> </tr> <tr> <td>D</td> <td>Ground</td> </tr> </tbody> </table>	PIN No.	Signal	A	U	B	V	C	W	D	Ground
					PIN No.	Signal									
A	U														
B	V														
C	W														
D	Ground														
<ol style="list-style-type: none"> <li>Motor Side Connector <ul style="list-style-type: none"> <li>Plug Spec. : MS3108A 32-17S</li> </ul> </li> <li>Drive Side Connector <ul style="list-style-type: none"> <li>Connecting Terminal Spec. : 14x6(Ring Terminal)</li> </ul> </li> <li>Cable Spec. : 4Cx2.5SQ or 4Cx3AWG</li> </ol>															
For Power	Brake Cable	XLCS-P □□□SB	XDL-L7SA□□□A L7SA□□□B L7NA□□□B L7NHA□□□U L7PA□□□U	All Models of XML-SG LG FG Series	 <table border="1" data-bbox="1085 1624 1444 1668"> <thead> <tr> <th>PIN No.</th> <th>Signal</th> <th>PIN No.</th> <th>Signal</th> </tr> </thead> <tbody> <tr> <td>A</td> <td>BK+</td> <td>B</td> <td>BK-</td> </tr> </tbody> </table>	PIN No.	Signal	PIN No.	Signal	A	BK+	B	BK-		
					PIN No.	Signal	PIN No.	Signal							
A	BK+	B	BK-												
<ol style="list-style-type: none"> <li>Motor Side Connector <ul style="list-style-type: none"> <li>Plug Spec. : MS3108A 14S-7S(MS)</li> </ul> </li> <li>Drive Side Connector <ul style="list-style-type: none"> <li>Connecting terminal Spec. : 1.5x3(Ring Terminal)</li> </ul> </li> <li>Cable Spec: 2Cx0.75SQ or 2Cx18AWG</li> </ol>															

Note1) □ □ □ of Model Name indicates the kind and length of cable. And the declaration is as below.  
In case of 400V products, you can use Robotic Cable only.

Cable Length(m)	3	5	10	20
Robotic Cable(F)	F03	F05	F10	F20

Note1) □ □ □ of model name indicates the capacity of drive. And the declaration is as page 16/26/34/48.

## Power Cable [400V]

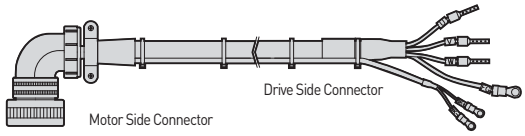
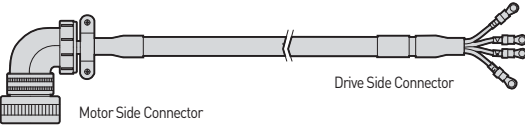
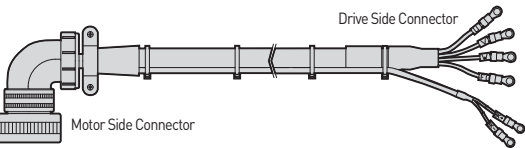
Type	Product Type	Model Name <sup>[Note1]</sup>	Applicable Drive <sup>[Note2]</sup>	Applicable Motor	Specifications														
For Power	Power Cable	XLCS-P □□□ HS	XDL-L7SB□□□ B L7NHB□□□ U L7PB□□□ U	All Models of XML-SEP FEP Series	 <table border="1"> <thead> <tr> <th>PIN No.</th> <th>Signal</th> <th>PIN No.</th> <th>Signal</th> </tr> </thead> <tbody> <tr> <td>A</td> <td>U</td> <td>C</td> <td>W</td> </tr> <tr> <td>B</td> <td>V</td> <td>D</td> <td>Ground</td> </tr> </tbody> </table> <ol style="list-style-type: none"> <li><b>Motor Side Connector</b> <ul style="list-style-type: none"> <li>Plug Spec. : MS3108A 20-4S</li> </ul> </li> <li><b>Drive Side Connector (U,V,W,FG)</b> <ul style="list-style-type: none"> <li>U, V, W Pin Spec. : 1512(Ferrule)</li> <li>FG Pin Spec. : 1.5x4(Ring Terminal)</li> </ul> </li> <li><b>Cable Spec:</b> 4Cx1.5SQ or 4Cx15AWG</li> </ol>	PIN No.	Signal	PIN No.	Signal	A	U	C	W	B	V	D	Ground		
PIN No.	Signal	PIN No.	Signal																
A	U	C	W																
B	V	D	Ground																
For Power	Power Cable (Brake Type)	XLCS-P □□□ NB	XDL-L7SB□□□ B L7NHB□□□ U L7PB□□□ U	All Models of XML-SEP FEP Series	 <table border="1"> <thead> <tr> <th>PIN No.</th> <th>Signal</th> </tr> </thead> <tbody> <tr> <td>A</td> <td>U</td> </tr> <tr> <td>B</td> <td>V</td> </tr> <tr> <td>C</td> <td>W</td> </tr> <tr> <td>D</td> <td>Ground</td> </tr> <tr> <td>E</td> <td>BK+</td> </tr> <tr> <td>F</td> <td>BK-</td> </tr> </tbody> </table> <ol style="list-style-type: none"> <li><b>Motor Side Connector</b> <ul style="list-style-type: none"> <li>Plug Spec. : MS3108A 20-15S</li> </ul> </li> <li><b>Drive Side Connector (U,V,W,FG)</b> <ul style="list-style-type: none"> <li>U, V, W Pin Spec. : 1512(Ferrule)</li> <li>FG Pin Spec. : 1.5 x 4(Ring Terminal)</li> </ul> </li> <li><b>Power Cable Spec. :</b> 4Cx1.5SQ or 4Cx15AWG</li> <li><b>Brake Power side Connector</b> <ul style="list-style-type: none"> <li>Connecting terminal Spec. : 1.5 x 3(Ring Terminal)</li> </ul> </li> <li><b>Brake Cable Spec. :</b> 2Cx0.75SQ or 2Cx19AWG</li> </ol>	PIN No.	Signal	A	U	B	V	C	W	D	Ground	E	BK+	F	BK-
PIN No.	Signal																		
A	U																		
B	V																		
C	W																		
D	Ground																		
E	BK+																		
F	BK-																		
For Power	Power Cable	XLCS-P □□□ IS	XDL-L7SB□□□ B L7NHB□□□ U	XML-[S/F]FP30A [S/F]FP22D/ [S/F]FP35D/ [S/F]FP20G/ FFP30G/ [S/F]FP12M/ [S/F]FP20M/ [S/F]GP22D/ [S/F]GP35D/ [S/F]GP20G/ FGP30G/ [S/F]GP12M/ [S/F]GP20M	 <table border="1"> <thead> <tr> <th>PIN No.</th> <th>Signal</th> </tr> </thead> <tbody> <tr> <td>A</td> <td>U</td> </tr> <tr> <td>B</td> <td>V</td> </tr> <tr> <td>C</td> <td>W</td> </tr> <tr> <td>D</td> <td>Ground</td> </tr> </tbody> </table> <ol style="list-style-type: none"> <li><b>Motor Side Connector</b> <ul style="list-style-type: none"> <li>Plug Spec. : MS3108A 22-22S(MS)</li> </ul> </li> <li><b>Drive Side Connector (U,V,W,FG)</b> <ul style="list-style-type: none"> <li>U, V, W Pin Spec : 2512(Ferrule)</li> <li>FG Pin Spec. : 2.5x4 (Ring Terminal)</li> </ul> </li> <li><b>Cable Spec. :</b> 4Cx2.5SQ or 4Cx14AWG</li> </ol>	PIN No.	Signal	A	U	B	V	C	W	D	Ground				
PIN No.	Signal																		
A	U																		
B	V																		
C	W																		
D	Ground																		

**Note1)** □ □ □ of Model Name indicates the kind and length of cable. And the declaration is as below.  
In case of 400V products, you can use Robotic Cable only.

Cable Length(m)	3	5	10	20
Robotic Cable(F)	F03	F05	F10	F20

**Note1)** □ □ □ of model name indicates the capacity of drive. And the declaration is as page 16/26/34/48.

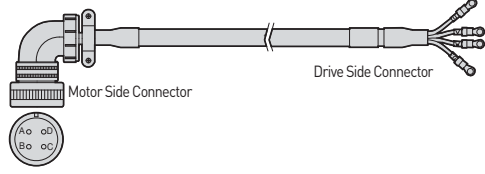
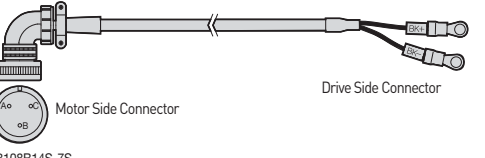
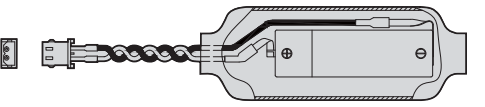
## Power Cable [400V]

Type	Product Type	Model Name <sup>[Note1]</sup>	Applicable Drive <sup>[Note2]</sup>	Applicable Motor	Specifications														
For Power	Power Cable (Brake Type)	XLCS-P □□□ PB	XDL-L7SB□□□ B L7NHB□□□ U L7PB□□□ U	XML- [S/F]FP30A/ [S/F]FP22D/ [S/F]FP35D/ [S/F]FP20G/ FFP30G/ [S/F]FP12M/ [S/F]FP20M	 <table border="1"> <thead> <tr> <th>PIN No.</th> <th>Signal</th> </tr> </thead> <tbody> <tr> <td>A</td> <td>U</td> </tr> <tr> <td>B</td> <td>V</td> </tr> <tr> <td>C</td> <td>W</td> </tr> <tr> <td>D</td> <td>Ground</td> </tr> <tr> <td>E</td> <td>BK+</td> </tr> <tr> <td>F</td> <td>BK-</td> </tr> </tbody> </table> <ol style="list-style-type: none"> <li><b>Motor Side Connector</b> <ul style="list-style-type: none"> <li>Plug Spec. : MS3108A 24-10S(MS)</li> </ul> </li> <li><b>Drive Side Connector</b> <ul style="list-style-type: none"> <li>U, V, W Pin Spec. : 1512</li> <li>FG Pin Spec. : 1.5 x 3(Ring Terminal)</li> </ul> </li> <li><b>Power Cable Spec. : 4Cx1.5SQ or 4Cx15AWG</b></li> <li><b>Brake Power side Connector</b> <ul style="list-style-type: none"> <li>Connecting terminal Spec. : 1.5 x 3(Ring Terminal)</li> </ul> </li> <li><b>Brake Cable Spec. : 2Cx0.75SQ or 2Cx18AWG</b></li> </ol>	PIN No.	Signal	A	U	B	V	C	W	D	Ground	E	BK+	F	BK-
PIN No.	Signal																		
A	U																		
B	V																		
C	W																		
D	Ground																		
E	BK+																		
F	BK-																		
For Power	Power Cable (Middle Capacity)	XLCS-P □□□ JS	XDL-L7SB□□□ B L7NHB□□□ U L7PB□□□ U	XML- [S/F]FP50A/ [S/F]FP55D/ [S/F]FP75D/ SFP30G/ [S/F]FP44G/ [S/F]FP60G/ [S/F]FP30M/ [S/F]GP55D/ [S/F]GP75D/ SGP30G/ [S/F]GP44G/ [S/F]GP60G/ [S/F]GP30M/ [S/F]GP44M	 <table border="1"> <thead> <tr> <th>PIN No.</th> <th>Signal</th> </tr> </thead> <tbody> <tr> <td>A</td> <td>U</td> </tr> <tr> <td>B</td> <td>V</td> </tr> <tr> <td>C</td> <td>W</td> </tr> <tr> <td>D</td> <td>Ground</td> </tr> </tbody> </table> <ol style="list-style-type: none"> <li><b>Motor Side Connector</b> <ul style="list-style-type: none"> <li>Plug Spec. : MS3108A 22-22S(MS)</li> </ul> </li> <li><b>Drive Side Connector (U,V,W,FG)</b> <ul style="list-style-type: none"> <li>U, V, W Pin Spec. : 4.0x 5(Ring Terminal)</li> </ul> </li> <li><b>Cable Spec. : 4Cx4.0SQ or 4Cx11AWG</b></li> </ol>	PIN No.	Signal	A	U	B	V	C	W	D	Ground				
PIN No.	Signal																		
A	U																		
B	V																		
C	W																		
D	Ground																		
For Power	Power Cable (Brake Type)	XLCS-P □□□ LB	XDL-L7SB□□□ B L7NHB□□□ U L7PB□□□ U	XML- [S/F]FP50A/ [S/F]FP55D/ [S/F]FP75D/ SFP30G/ [S/F]FP44G/ [S/F]FP60G/ [S/F]FP30M/ [S/F]FP44M	 <table border="1"> <thead> <tr> <th>PIN No.</th> <th>Signal</th> </tr> </thead> <tbody> <tr> <td>A</td> <td>U</td> </tr> <tr> <td>B</td> <td>V</td> </tr> <tr> <td>C</td> <td>W</td> </tr> <tr> <td>D</td> <td>Ground</td> </tr> <tr> <td>E</td> <td>BK+</td> </tr> <tr> <td>F</td> <td>BK-</td> </tr> </tbody> </table> <ol style="list-style-type: none"> <li><b>Motor Side Connector</b> <ul style="list-style-type: none"> <li>Plug Spec. : MS3108A 24-10S(MS)</li> </ul> </li> <li><b>Drive Side Connector</b> <ul style="list-style-type: none"> <li>U, V, W Pin Spec. : 4.0x5(Ring Terminal)</li> </ul> </li> <li><b>Power Cable Spec. : 4Cx4.0SQ or 4Cx11AWG</b></li> <li><b>Brake Power side Connector</b> <ul style="list-style-type: none"> <li>Connecting terminal Spec. : 1.5 x 3(Ring Terminal)</li> </ul> </li> <li><b>Brake Cable Spec. : 2Cx0.75SQ or 2Cx18AWG</b></li> </ol>	PIN No.	Signal	A	U	B	V	C	W	D	Ground	E	BK+	F	BK-
PIN No.	Signal																		
A	U																		
B	V																		
C	W																		
D	Ground																		
E	BK+																		
F	BK-																		

**Note1** □ □ □ of Model Name indicates the kind and length of cable. And the declaration is as below.  
In case of 400V products, you can use Robotic Cable only.

Cable Length(m)	3	5	10	20
Robotic Cable(F)	F03	F05	F10	F20

**Note1** □ □ □ of model name indicates the capacity of drive. And the declaration is as page 16/26/34/48.

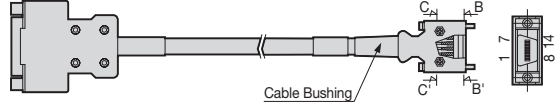
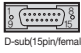
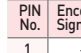
Type	Product Type	Model Name <sup>[Note1]</sup>	Applicable Drive <sup>[Note2]</sup>	Applicable Motor	Specifications														
For Power	Power Cable (Middle Capacity)	XLCS-P □□□ MS	XDL-L7SB□□□ B L7NHB□□□ U L7PB□□□ U	XML-[S/F]FP75G/ [S/F]GP110D/ [S/F]GP85G/ [S/F]GP110G/ [S/F]GP150G/ [S/F]GP60M/	 <p>Motor Side Connector</p> <p>Drive Side Connector</p> <table border="1"> <thead> <tr> <th>PIN No.</th> <th>Signal</th> <th>PIN No.</th> <th>Signal</th> </tr> </thead> <tbody> <tr> <td>A</td> <td>U</td> <td>C</td> <td>W</td> </tr> <tr> <td>B</td> <td>V</td> <td>D</td> <td>Ground</td> </tr> </tbody> </table>	PIN No.	Signal	PIN No.	Signal	A	U	C	W	B	V	D	Ground		
					PIN No.	Signal	PIN No.	Signal											
A	U	C	W																
B	V	D	Ground																
<p><b>1. Motor Side Connector</b></p> <ul style="list-style-type: none"> <li>• Plug Spec. : MS3108A 32-17S(MS)</li> </ul> <p><b>2. Drive Side Connector(U,V,W,FG)</b></p> <ul style="list-style-type: none"> <li>• U, V, W Pin Spec. : 10x5(Ring Terminal)</li> </ul> <p><b>3. Cable Spec: 4Cx10SQ or 4Cx7AWG</b></p>																			
For Power	Brake Cable (same with 200V)	XLCS-P □□□ SB	XDL-L7SB□□□ B L7NHB□□□ U L7PB□□□ U	All Model of XML-SGP FGP Series	 <p>Motor Side Connector</p> <p>Drive Side Connector</p> <p>MS3108B14S-7S (2Circuits)</p> <table border="1"> <thead> <tr> <th>PIN No.</th> <th>Signal</th> </tr> </thead> <tbody> <tr> <td>A</td> <td>U</td> </tr> <tr> <td>B</td> <td>V</td> </tr> <tr> <td>C</td> <td>W</td> </tr> <tr> <td>D</td> <td>Ground</td> </tr> <tr> <td>E</td> <td>BK+</td> </tr> <tr> <td>F</td> <td>BK-</td> </tr> </tbody> </table>	PIN No.	Signal	A	U	B	V	C	W	D	Ground	E	BK+	F	BK-
					PIN No.	Signal													
A	U																		
B	V																		
C	W																		
D	Ground																		
E	BK+																		
F	BK-																		
<p><b>1. Motor Side Connector</b></p> <ul style="list-style-type: none"> <li>• Plug Spec. : MS3108B 14-7S(MS)</li> </ul> <p><b>2. Brake Power side Connector</b></p> <ul style="list-style-type: none"> <li>• Connecting terminal Spec. : 1.5x3(Ring Terminal)</li> </ul> <p><b>3. Cable Spec. : 2Cx0.75SQ or 2Cx19AWG</b></p>																			
Battery For Encoder	Battery Ass'y	XLCS-BATT36	All Model of L7 Series	All Model of XML- F Series	 <table border="1"> <thead> <tr> <th>PIN No.</th> <th>Signal</th> <th>Color</th> </tr> </thead> <tbody> <tr> <td>1</td> <td>+</td> <td>Red</td> </tr> <tr> <td>2</td> <td>-</td> <td>Black</td> </tr> </tbody> </table> <p><b>1. Plug Spec. : 5264-02 (Molex)</b></p> <p><b>2. Plug Pin Spec. : 5263PBT (Molex)</b></p> <p><b>3. Battery Spec. : ER6V/3.6V, 2000mAh (TOSHIBA)</b></p>	PIN No.	Signal	Color	1	+	Red	2	-	Black					
PIN No.	Signal	Color																	
1	+	Red																	
2	-	Black																	

Note1) □ □ □ of Model Name indicates the kind and length of cable. And the declaration is as below.  
In case of 400V products, you can use Robotic Cable only.

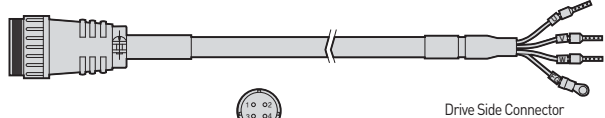

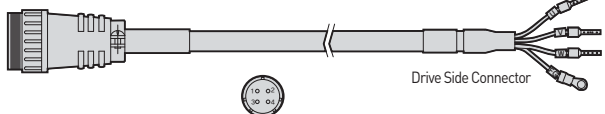

Cable Length(m)	3	5	10	20
General Cable(N)	N03	N05	N10	N20
Robotic Cable(F)	F03	F05	F10	F20

Note1) □ □ □ of model name indicates the capacity of drive. And the declaration is as page 16/26/34/48.

## DD Motor Signal Cable

Type	Product Type	Model Name <sup>(Note1)</sup>	Applicable Drive <sup>(Note2)</sup>	Specifications	Specifications																																																																								
For Signal	L7 Encoder Cable	XLCS-E □□□ZS	XDL- L7SA□□□B L7NA□□□B L7NHA□□□U L7PA□□□U	All Models of DD Motor	  <table border="1"> <caption>D.D SERVO ENCODER CABLE</caption> <thead> <tr> <th>NO</th> <th>Encoder Signal</th> <th>NO</th> <th>Encoder Signal</th> </tr> </thead> <tbody> <tr><td>1</td><td>MA</td><td>9</td><td>+5V</td></tr> <tr><td>2</td><td>SLO</td><td>10</td><td>-</td></tr> <tr><td>3</td><td>GND_B</td><td>11</td><td>-</td></tr> <tr><td>4</td><td>OV</td><td>12</td><td>-</td></tr> <tr><td>5</td><td>SHELD</td><td>13</td><td>-</td></tr> <tr><td>6</td><td>MA</td><td>14</td><td>-</td></tr> <tr><td>7</td><td>SLO</td><td>15</td><td>-</td></tr> <tr><td>8</td><td>+5V</td><td></td><td>-</td></tr> </tbody> </table>  <table border="1"> <thead> <tr> <th>PIN No.</th> <th>Encoder Signal</th> <th>PIN No.</th> <th>Encoder Signal</th> </tr> </thead> <tbody> <tr><td>1</td><td>-</td><td>8</td><td>-</td></tr> <tr><td>2</td><td>-</td><td>9</td><td>-</td></tr> <tr><td>3</td><td>MA</td><td>10</td><td>-</td></tr> <tr><td>4</td><td>MA</td><td>11</td><td>-</td></tr> <tr><td>5</td><td>SLO</td><td>12</td><td>-</td></tr> <tr><td>6</td><td>SLO</td><td>13</td><td>-</td></tr> <tr><td>7</td><td>OV</td><td>14</td><td>+5V</td></tr> <tr><td colspan="2">PLATE</td><td colspan="2">SHIELD</td></tr> </tbody> </table> <p>(Encoder Connector) (Driver Connector)</p>	NO	Encoder Signal	NO	Encoder Signal	1	MA	9	+5V	2	SLO	10	-	3	GND_B	11	-	4	OV	12	-	5	SHELD	13	-	6	MA	14	-	7	SLO	15	-	8	+5V		-	PIN No.	Encoder Signal	PIN No.	Encoder Signal	1	-	8	-	2	-	9	-	3	MA	10	-	4	MA	11	-	5	SLO	12	-	6	SLO	13	-	7	OV	14	+5V	PLATE		SHIELD	
					NO	Encoder Signal	NO	Encoder Signal																																																																					
1	MA	9	+5V																																																																										
2	SLO	10	-																																																																										
3	GND_B	11	-																																																																										
4	OV	12	-																																																																										
5	SHELD	13	-																																																																										
6	MA	14	-																																																																										
7	SLO	15	-																																																																										
8	+5V		-																																																																										
PIN No.	Encoder Signal	PIN No.	Encoder Signal																																																																										
1	-	8	-																																																																										
2	-	9	-																																																																										
3	MA	10	-																																																																										
4	MA	11	-																																																																										
5	SLO	12	-																																																																										
6	SLO	13	-																																																																										
7	OV	14	+5V																																																																										
PLATE		SHIELD																																																																											
					<p><b>1. Motor Side Connector</b></p> <ul style="list-style-type: none"> <li>Connector[D-SUB] : DA-15PF-N(Female)</li> <li>Connector CASE[D-SUB] : SK-15H-1A</li> </ul> <p><b>2. Drive Side Connector</b></p> <ul style="list-style-type: none"> <li>CASE Spec. : 10314-52A0-008(3M)</li> <li>Connector Spec. : 10114-3000VE(3M)</li> </ul> <p><b>3. Cable Spec. : 3P×0.25Q</b></p>																																																																								

## DD Motor Power Cable

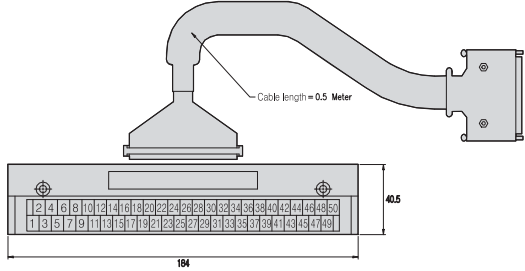
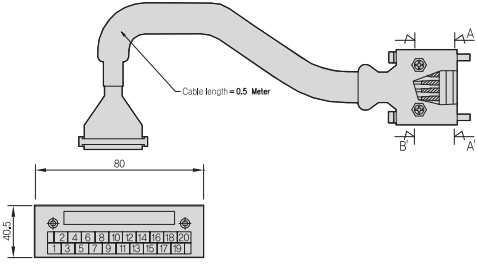
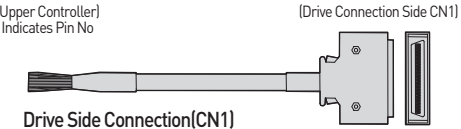
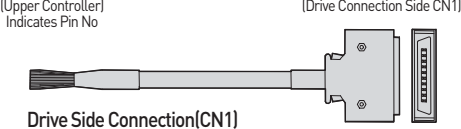
Type	Product Type	Model Name <sup>(Note1)</sup>	Applicable Drive <sup>(Note2)</sup>	Specifications	Specifications
For Power	Power Cable	XLCS-PN □□□YS	XDL- L7SA□□□B L7NA□□□B L7NHA□□□U L7PA□□□U	XML- DB03D/ DB06D/ DB09D/ DC06D/ DC12D/ DC18D/ DD12D/ DD22D/ DD34D/ DE40D/ DE60D	  <p>Nanaboshi Electronic NJC-24-4-ADF(Female) (Motor side connector)</p>
					<p><b>1. Motor Side Connector</b></p> <ul style="list-style-type: none"> <li>Plug Spec. : NJC-24-4-ADF(Female)</li> </ul> <p><b>2. Drive Side Connector</b></p> <ul style="list-style-type: none"> <li>U, V, W Pin Spec. : UA-F2012(Seoil)</li> <li>FG Spec. : 1.5×4</li> </ul> <p><b>3. Cable Spec. : 4Cx1.5SQ, LAPP Cable(P/N : 00257001)</b></p>
For Power	Power Cable	XLCS-PN □□□ZS	XDL- L7SA□□□B L7NA□□□B L7NHA□□□U L7PA□□□U	XML- DFA1G/ DFA6G	  <p>Nanaboshi Electronic NJC-24-4-ADF(Female) (Motor side connector)</p>
					<p><b>1. Motor Side Connector</b></p> <ul style="list-style-type: none"> <li>PLUG Spec. : NJC-24-4-ADF(Female)</li> </ul> <p><b>2. Drive Side Connector</b></p> <ul style="list-style-type: none"> <li>U, V, W Pin Spec. : UA-F2012(Seoil)</li> <li>FG Spec. : 2.5×4</li> </ul> <p><b>3. Cable Spec. : 4Cx2.5SQ, LAPP Cable(P/N : 00257011)</b></p>

Note1) □ □ □ of Model Name indicates the kind and length of cable. And the declaration is as below.

Cable Length(m)	3	5	10	20
Robotic Cable(F)	F03	F05	F10	F20
General Cable(N)	N03	N05	N10	N20

Note1) □ □ □ of model name indicates the capacity of drive. And the declaration is as page 16/26/34/48.

## Signal Cable

Type	Product Type	Model Name <sup>[Note1]</sup>	Applicable Drive <sup>[Note2]</sup>	Specifications
T/B	CN1 T/B	XLCS-VSCN1T-□□	L7S□□□□B L7PA□□□□U	 <ul style="list-style-type: none"> <li>Extended CN1 T/B for VS/L7S</li> <li>Available Cable Length : 0.5[m], 1[m], 1.5[m], 2[m], 3[m]</li> </ul>
	CN1 T/B	XLCS-L7NCN1T-□□	L7NA□□□□B L7NH□□□□U	 <ul style="list-style-type: none"> <li>Extended CN1 T/B for L7N</li> <li>Available Cable Length : 0.5[m], 1[m], 1.5[m], 2[m]</li> </ul>
For Signal	CN1 Cable	XLC-CN1-□□A	L7S Series L7P Series	 <p>Upper Controller Indicates Pin No</p> <p>Drive Connection Side CN1</p> <p><b>Drive Side Connection(CN1)</b></p> <ul style="list-style-type: none"> <li>Case Spec. : 10320-52A0-008(3M)</li> <li>Connector Spec. : 10150-3000VE(3M)</li> <li>Cable Spec. : 20276-SB 25P(AWG28)</li> </ul>
For Signal	CN1 Cable	XLCS-CN1-□□A	L7N Series L7NH Series	 <p>Upper Controller Indicates Pin No</p> <p>Drive Connection Side CN1</p> <p><b>Drive Side Connection(CN1)</b></p> <ul style="list-style-type: none"> <li>Case Spec. : 10320-52A0-008(3M)</li> <li>Connector Spec. : 10120-3000VE(3M)</li> <li>Cable Spec. : ROW-SB0.1C×20C(AWG28)</li> </ul>

Note1) □ □ □ of Model Name indicates the kind and length of cable. And the declaration is as below.

Cable Length(m)	3	5	10	20
General Cable(N)	N03	N05	N10	N20
Robotic Cable(F)	F03	F05	F10	F20

Cable Length(m)	0.5	1	1.5	2	3
Declaration	None	01	015	02	03

Cable Length(m)	0.5	1	1.5	2	3
Declaration	None	01	015	02	03

Note1) □ □ □ of model name indicates the capacity of drive. And the declaration is as page 16/26/34/48.

## Connector Pin Map

### L7S

NO	PIN Function	NO	PIN Function	NO	PIN Function	NO	PIN Function	NO	PIN Function
1	TRQCOM	11	PR+	21	SPD3	31	/BO	41	RDY
2		12	PR-	22	SPD2	32	A0	42	
3		13		23	SPD1	33	/A0	43	ZSPD
4	ZO	14	ALO2	24	GND24	34	+12VA	44	BRAKE
5	/ZO	15	ALO1	25	GND24	35	-12VA	45	INPOS
6		16	AL00	26		36	SG	46	DIR
7		17	ALMRST	27	SPDCOM	37	GND	47	SVON
8	GND	18	EMG	28	MINIY1	38	ALARM+	48	STOP
9	PF+	19	CWLIM	29	MINIY2	39	ALARM-	49	PULCOM
10	PF-	20	CCWLIM	30	B0	40	RDY+	50	+24V IN

### L7P

NO	PIN Function	NO	PIN Function	NO	PIN Function	NO	PIN Function	NO	PIN Function
1	A0	11	+24V IN	21	+24V IN	31	PF+	41	INPOS1+
2	/A0	12	SVON	22	HOME	32	PF-	42	INPOS1-
3	B0	13	POT	23	H-START	33	PR+	43	ORG+
4	/B0	14	NOT	24	ISEL0	34	PR-	44	ORG-
5	ZO	15	A-RST	25	ISEL1	35	ALARM+	45	EOS+
6	/ZO	16	START	26	ISEL2	36	ALARM-	46	EOS-
7	A-TLMT	17	STOP	27	ISEL3	37	RDY+	47	TGON+
8	AGND	18	REGT	28	ISEL4	38	RDY-	48	TGON-
9	A-OVR	19	EMG	29	ISEL5	39	BRAKE+	49	TLMT+
10	AGND	20		30	PULCOM	40	BRAKE-	50	TLMT-

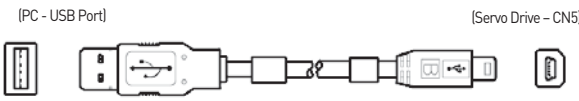
### L7N

NO	PIN Function	NO	PIN Function
1	BREAK+	11	HOME
2	BREAK-	12	ALMRST
3	ALARM+	13	PCON
4	ALARM-	14	GAIN2
5		15	
6	+24V IN	16	
7	N-OT	17	READY+
8	P-OT	18	READY-
9	PROBE1	19	ZSPD+
10	PROBE2	20	ZSPD-

### L7NH

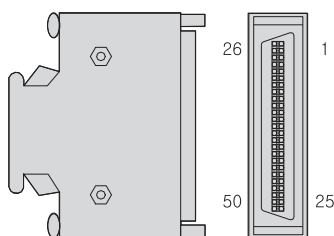
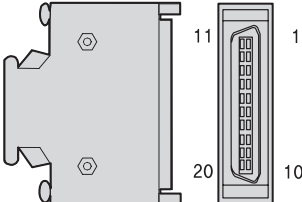
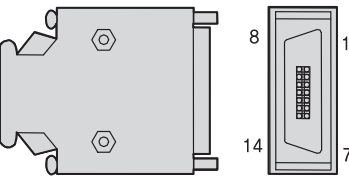
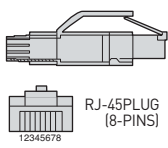
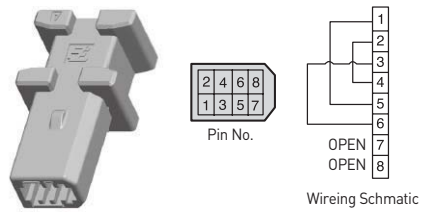
NO	PIN Function	NO	PIN Function
1	BREAK+	11	POT
2	BREAK-	12	NOT
3	RDY+	13	PCON
4	RDY-	14	GAIN2
5	AGND	15	A-TLMT
6	+24V IN	16	
7	HOME	17	RDY+
8	STOP	18	RDY-
9	PCL	19	ZSPD+
10	NCL	20	ZSPD-

## Signal Cable / Connector

Type	Product Type	Model Name	Applicable Drive	Specifications
For Signal	Communication Cable	XLC-CN5L7U	All Models of L7 Series	 <ul style="list-style-type: none"> <li>• PC Side Connector : USB A Plug</li> <li>• Drive Side Connector(CN5) : Mini USB 5P Plug</li> <li>• Electric Requirements Spec : Double Shielded, Twisted Pair, EMI-filter attached type (Ex. : KU-AMB518, SANWA)</li> <li>• Only 1.8m length of cable is available to use</li> </ul>



Connector

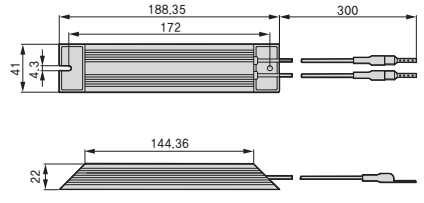
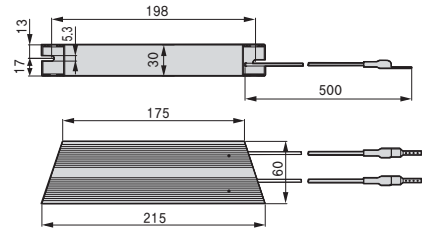
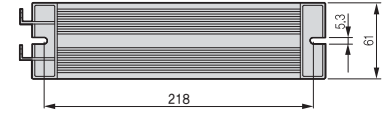
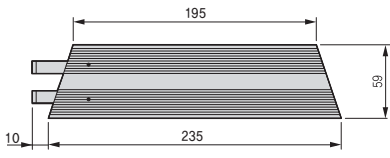
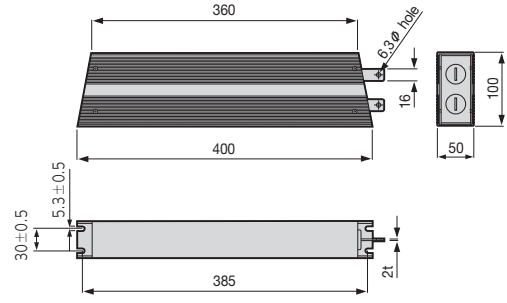
Type	Product Type	Model Name <sup>[Note1]</sup>	Applicable Drive <sup>[Note2]</sup>	Specifications																														
CN	CN1 Connector	XLC-CN1NNA	XDL- L7S □ □ □ B L7NH □ □ □ U	 <ul style="list-style-type: none"> <li>• CASE Spec. : 10350-52A0-008(3M)</li> <li>• CONNECTOR Spec. : 10150-3000VE(3M)</li> </ul>																														
CN	CN1 Connector	XLC-CN2NNA	XDL- L7NA □ □ □ B L7NH □ □ □ U	 <ul style="list-style-type: none"> <li>• Case Spec. : 10320-52A0-008(3M)</li> <li>• Connector Spec. : 10120-3000VE(3M)</li> </ul>																														
CN	CN2 Connector	XLC-CN3NNA	All models of XDL- L7 Series	 <ul style="list-style-type: none"> <li>• Case Spec. : 10314-52A0-008(3M)</li> <li>• Connector Spec. : 10114-3000VE(3M)</li> </ul>																														
CN	CN3 CN4 EtherCAT Connector	XLCS-CN4NNA	XDL- L7NA □ □ □ B L7NH □ □ □ U	 <table border="1"> <thead> <tr> <th>PIN No.</th> <th>Signal</th> <th>Line Color</th> </tr> </thead> <tbody> <tr> <td>1</td> <td>TX/RX0 Plus</td> <td>White/Orange</td> </tr> <tr> <td>2</td> <td>TX/RX0 Minus</td> <td>Orange</td> </tr> <tr> <td>3</td> <td>TX/RX1 Plus</td> <td>White/Green</td> </tr> <tr> <td>4</td> <td>TX/RX2 Plus</td> <td>Blue</td> </tr> <tr> <td>5</td> <td>TX/RX2 Minus</td> <td>White/Blue</td> </tr> <tr> <td>6</td> <td>TX/RX1 Minus</td> <td>Green</td> </tr> <tr> <td>7</td> <td>TX/RX3 Plus</td> <td>White/Brown</td> </tr> <tr> <td>8</td> <td>TX/RX3 Minus</td> <td>Brown</td> </tr> <tr> <td colspan="2">Plate</td> <td>SHILDE</td> </tr> </tbody> </table> <p>Note1) EtherCAT use only 4 Signal(1, 2, 3, 6)</p>	PIN No.	Signal	Line Color	1	TX/RX0 Plus	White/Orange	2	TX/RX0 Minus	Orange	3	TX/RX1 Plus	White/Green	4	TX/RX2 Plus	Blue	5	TX/RX2 Minus	White/Blue	6	TX/RX1 Minus	Green	7	TX/RX3 Plus	White/Brown	8	TX/RX3 Minus	Brown	Plate		SHILDE
PIN No.	Signal	Line Color																																
1	TX/RX0 Plus	White/Orange																																
2	TX/RX0 Minus	Orange																																
3	TX/RX1 Plus	White/Green																																
4	TX/RX2 Plus	Blue																																
5	TX/RX2 Minus	White/Blue																																
6	TX/RX1 Minus	Green																																
7	TX/RX3 Plus	White/Brown																																
8	TX/RX3 Minus	Brown																																
Plate		SHILDE																																
CN	CN6 Connector	XLCS-CN6K	XDL- L7NA □ □ □ B L7NH □ □ □ U	 <ul style="list-style-type: none"> <li>• MINI I/O By-pass Connector : 1971153(TE)</li> </ul>																														

Note1) 100W-7.5kW has the internal basic braking resistor. If the machine requires short deceleration time frequently, refer to table above and apply the appropriate braking resistor.  
 Note1) □ □ □ of model name indicates the capacity of drive. And the declaration is as page 16/26/34/48.

Options and Accessories

## 200V Braking Resistor

\*Option braking resistors are selectable items for user's need.

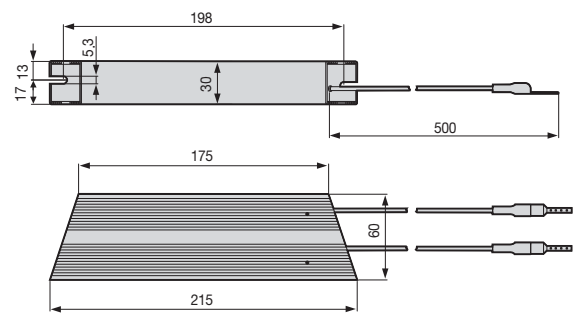
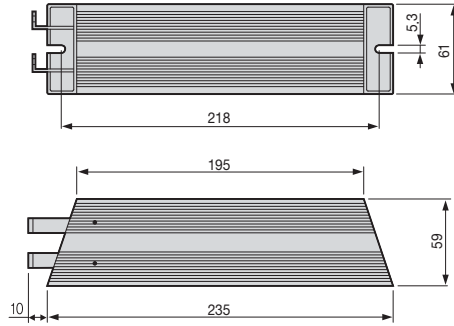
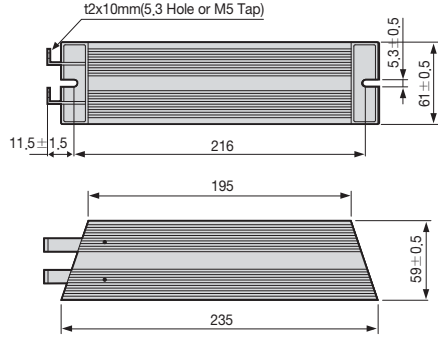
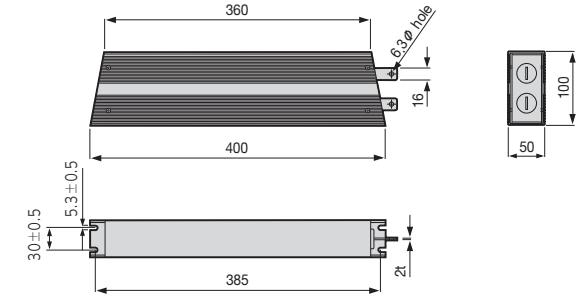
Type	Product Type	Model Name <sup>[Note1]</sup>	Applicable Drive <sup>[Note2]</sup>	Specifications
Resistor	Braking Resistor	XLCS-140R50 50Ω/140W	XDL- L7□A001□ L7□A002□ L7□A004□	 <p>• IRH 140W 50Ω</p>
Resistor	Braking Resistor	XLCS-300R30 30Ω/300W	XDL- L7□A008□ L7□A010□	 <p>• IRV 300W 30Ω</p>
Resistor	Braking Resistor	XLC-600R30 15Ω/1200W (30Ω/600 *2P)	XDL- L7□A020□ L7□A035□	  <p>IRV 600W 30Ω * L7□A020□ - 2pcs(Parallel Connection) L7□A030□ - 3pcs(Parallel Connection)</p> <p>IRV 600W 28Ω * L7□A050□ - 4pcs(Parallel Connection) * L7□A075□ - 4pcs(Parallel Connection)</p> <p>Note1) IRV 600W 300Ω and 600W 260Ω have the same external dimensions.</p>
		XLC-600R28 10Ω/1800W (30Ω/600 *3P)	XDL- L7□A050□	
		XLC-600R28 7Ω/2400W (28Ω/600 *4P)	XDL- L7□A050□ L7□A075□	
Resistor	Braking Resistor	XLCS-2000R3.3 3.3Ω/2000W	XDL- L7□A150□	 <p>IRM2000-3.3Ω</p>

Note1) 100W~7.5kW has the internal basic braking resistor. If the machine requires short deceleration time frequently, refer to table above and apply the appropriate braking resistor.

Note1) □□□ of model name indicates the capacity of drive. And the declaration is as page 16/26/34/48.

### 400V Braking Resistor

\*Option braking resistors are selectable items for user's need.

Resistor	Braking Resistor	XLCS-300R82 82Ω /300W	XDL-L7□B010□	 <p>IRV300-82Ω</p>
Resistor	Braking Resistor	XLCS-600R140 70Ω /1200W (140Ω / 600W × 2P)	XDL-L7□B020□ L7□B035□	 <p>IRV600-140Ω</p>
Resistor	Braking Resistor	XLCS-600R75 25Ω /800W (75Ω / 600W × 3P)	XDL-L7□B075□	 <p>IRV600-75Ω</p>
Resistor	Braking Resistor	XLCS-2000R13.4 13.4Ω /2000W	XDL-L7□B150□	 <p>IRM2000-13.4Ω</p>

Note1) 100W-7.5kW has the internal basic braking resistor. If the machine requires short deceleration time frequently, refer to table above and apply the appropriate braking resistor.

Note1) □ □ □ of model name indicates the capacity of drive. And the declaration is as page 16/26/34/48.





# Application

## Contents

Motion Module [EtherCAT] -----	126
Positioning Module(EtherCAT) -----	127
Positioning Module [APM] -----	128
Positioning Module [XPM] -----	129
XG-PM -----	130
Positioning Module/External Device Interface--	131
Worldwide Network-----	140

## Features

- 32 axes (master) and 4 axes (virtual) control
- EtherCAT CoE supported servo drive
- Communication cycle : 1ms
- Built-in DI/DO 8 points each and EtherCAT I/O 256 points
- Program 2MB
- External encoder input 2ch (line drive)
- Max. transmission distance : 100m



## Specifications

Item		XGF-M32E
Communication		EtherCAT (CoE : CANopen over EtherCAT)
Number of axis	Real	32 axes
	Virtual	4axes
	I/O	Input/output 8 points each (built-in) EtherCAT I/O connection available
Control period		1ms, 2ms, 4ms (same as main task period)
Control unit		Pulse, mm, inch, degree
I/O	Internal	Input 8 points, output 8 points
	External	EtherCAT I/O 4 ea (max. 256 points)
Motion Program	No. of program	Max. 256 ea
	Capacity	Max. 2Mbyte
	Language	LD(FB), ST
	Position data	6400 points/all aixe
Control method		Position, Velocity, Torque(Servo drivers support) control, Synchronous control, Interpolation control
Range of position/velocity		± LREAL, 0
Acc. Dec. process		Trapezoid type, S-type (Setting to specify the Jerk at function block)
Acc. Dec. time		2,147,483,647ms
Manual operation		JOG operation
Torque unit		Rated torque % designation
Encoder input	Channel	2 channels
	Max. input	Max. 500Kpps
	Input method	Line drive input (RS-422A IEC specification) Open collector output type encoder
	Input type	CW/CCW, Pulse/Dir, Phase A/B
Max. distance		100m
Communication cable		Over CAT.5 STP(Shielded Twisted-pair) cable
Error indication		Indicated by LED
Communication status indication		Indicated by LED
Occupied point I/O		Variable: 16 point, Fixed: 64 point
Communication physical layer		100BASE-TX
Consumable current(mA)		900
Weight[g]		122

## Features

- XGF-PN4B/PN8B : Standard EtherCAT Network Support(XGT Servo XDL Series)
- Direct connect with Max.8 servo driver
- 2~8 axis linear interpolation, 2axis circular interpolation, 3axis helical interpolation
- Position, speed, feed control is possible through the various operation
- Parameters, the operation data stored in the FRAM(without Battery)
- CAM for controlling up to eight different types of CAM data



## Specifications

Item		XGF-PN4B	XGF-PN8B		
Number of axis		4 axis	8 axis		
Interpolation		2-8 axis linear, 2axis circular, 3axis helical interpolation			
Control method		Position, speed, Speed/position, position/speed position/torque, Feed control			
Setting unit		pulse, mm, inch, degree			
Positioning data		Each axis has 400 data items (Operation step number 1~400). It is available to set with software package or programming.			
XG-PM	Port	RS-232C, USB			
	Data	Basic, expansion, manual, servo parameter, operation data, cam data, command information			
	Monitor	Operation, trace, input sort, error information			
Back-up		FRAM(parameter, operation data) no battery			
Positioning	Positioning method	Absolute/Incremental			
	Position address range		Absolute	Incremental	Speed/position, position/speed conversion control
		mm	-214748364.8 ~ 214748364.7(μm)	-214748364.8 ~ 214748364.7(μm)	-214748364.8 ~ 214748364.7(μm)
		inch	-21474.83648 ~ 21474.83647	-21474.83648 ~ 21474.83647	-21474.83648 ~ 21474.83647
		degree	-21474.83648 ~ 21474.83647	-21474.83648 ~ 21474.83647	-21474.83648 ~ 21474.83647
	Position speed range	pulse	-2147483648 ~ 2147483647	-2147483648 ~ 2147483647	-2147483648 ~ 2147483647
		mm	0.01 ~ 20000000.00(mm/min)		
		inch	0.001 ~ 2000000.000(inch/min)		
		degree	0.001 ~ 2000000.000(degree/min)		
		pulse	1 ~ 20,000,000 (pulse/sec)		
RPM	0.1 ~ 100000.0(RPM)				
Accel/Decel pattern	Trapezoidal & S-curve acceleration/deceleration				
Accel/Decel time	1~2,147,483,647 ms				
Manual		Jog/ MPG/ inching			
Homing method		Max+Z(Forward), Min+Z(Backward), Near-point+Z(Forward, Backward), Max+near-point+Z(Forward), Min+near-point+Z(Backward), Z(Forward, Backward), near-point(Forward, Backward)			
The ability to Change speed		Absolute/Percent			
Torque		Rated torque %			
Absolute position System		0 (Absolute encoder type servo)			
Encoder input	Channel	2 Channel			
	Max. Input	Max. 200 Kpps			
	Input method	line-drive input(RS-422A IEC), open collector output type			
	Type	CW/CCW, Pulse/Dir, Phase A/B			
Connector		12 Pin connector			
Communication Cycle		800 μs			
Max. distance		100 m			
Cable		STP(Shielded Twisted-pair) cable			
Error display		LED			
Operation display		LED			
Occupied points of I/O		64points (Fixed type), 16points (Variable type)			
Current consumption (mA)		500			
Weight(g)		115			

## Features

- Highly reliable position control with LSIS ASIC-embedded processor
- Enhanced control with fast control processing speed
- High-speed motor control (Max. pulse output: 1Mbps)
- Circular/linear interpolation, separate/synchronous operation
- Trapezoidal & S-curve acceleration/deceleration
- Easy and quick control through external input (JOG operation included)
- Encoder input support
- High-speed processing of command (4ms)
- Easy to set positioning parameters (Windows)
- Monitoring/Tracking/Simulation
- Available to edit operation parameter data in EXCEL
- Self-diagnosis
- Real-time information and solution for each error



## Specifications

Item	Specifications			
	XGF-PO1A, XGF-PD1A	XGF-PO2A, XGF-PD2A	XGF-PO3A, XGF-PD3A	
Number of axis	1	2	3	
Interpolation		2-axis linear interpolation, 2-axis circular interpolation	2/3-axis linear interpolation, 2-axis circular interpolation	
Control method	Position control, speed control, speed/position control, position/speed control			
Setting unit	Pulse, mm, inch, degree			
Positioning data	Each axis has 400 data items (Operation step number 1~400). It is available to set with software package or programming.			
Software package	Available (Connected with RS-232C Port of CPU module)			
Data backup	Flash memory (No battery)			
Positioning	Positioning method		Absolute / relative method	
	Position speed range	mm	-214,748,364.8 ~ 214,748,364.7 (μm)	
		Inch	-21,474.83648 ~ 21,474.83647	
		Degree	-21,474.83648 ~ 21,474.83647	
		Pulse	-21,47483,648 ~ 2,147,483,647	
	Type		XGF-PO□A: Open collector, XGF-PD□A: Line driver	
	Position speed range	mm	0.01 ~ 20,000,000.00 (mm/min)	
		Inch	0.001 ~ 2,0000,00.000 (inch/min)	
		Degree	0.001 ~ 2,000,000.000 (degree/min)	
		Pulse	XGF-PO□A: 1~200,000 (pulse/sec), XGF-PD□A: 1~1,000,000 (pulse/sec)	
Accel/Decel pattern		Trapezoidal & S-curve acceleration/deceleration		
Accel/Decel time		1 ~ 65,535ms		
Max. output pulse		XGF-PO□A: 200kpps / XGF-PD□A: 1Mpps		
Max. distance		XGF-PO□A: 2m / XGF-PD□A: 10m		
Max. encoder input		200 kpps		
Error display		LED		
Operation display		LED		
Connection connector		40 Pin connector		
Size of cable		AWG #24		
Occupied points of I/O		64 points (Fixed type), 16 points (Variable type)		
Current consumption (mA)		XGF-PO1A: 340	XGF-PO2A: 360	XGF-PO3A: 400
		XGF-PD1A: 510	XGF-PD2A: 790	XGF-PD3A: 860
Weight (g)		120	130	135

\* XGF-PO□O: Open Collector type, □: Number of axis  
XGF-PD□D: Line Drive type, □: Number of axis



## Features

- Max 4Axis, Max pulse output 4Mpps
- Circular/linear/ellipse/helical interpolation
- Asymmetric acceleration and deceleration driving
- FRAM parameter
- XG-PM monitoring, simulation, trace
- CAM profile program

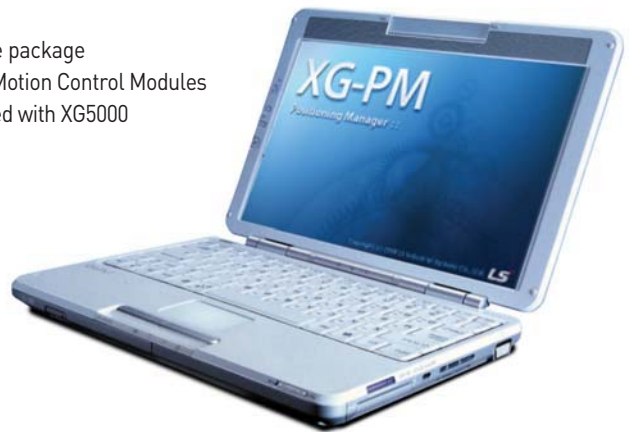


## Specifications

Item	XGF-P01H XGF-PD1H	XGF-P02H XGF-PD2H	XGF-P03H XGF-PD3H	XGF-P04H XGF-PD4H
Number of axis	1 axis	2 axis	3 axis	4 axis
Interpolation	—	Circular, linear, ellipse	Circular, linear, helical, ellipse	
Control method	Position control, speed control, speed/position control, position/speed control, FEED			
Positioning data	Each axis has 400 data items (Operation step number 1-400). It is available to set with XG-PM or programming.			
Configuration Tool	XG-PM (Connected with USB or RS-232C Port of CPU module)			
Data backup	FRAM (Parameter, Operation data), Flash memory (CAM Data), No battery			
Pulse output	XGF-POxH: Open collector, XGF-PDxH: line driver			
Positioning	Positioning method	Absolute / Incremental		
	Position address range	mm	-214,748,364.8 ~ 214,748,364.7(μm)	
		inch	-21,474.83648 ~ 21,474.83647	
		degree	-21,474.83648 ~ 21,474.83647	
		pulse	-2,147,483,648 ~ 2,147,483,647	
	Position address speed	mm	0.01 ~ 20,000,000.00(mm/min)	
		inch	0.001 ~ 2,000,000.000(inch/min)	
		degree	0.001 ~ 2,000,000.000(degree/min)	
pulse		1 ~ 500,000(pulse/sec): Open collector, 1 ~ 4,000,000(pulse/sec): line driver		
RPM	0.1 ~ 100,000.0(RPM)			
Accel/Decel pattern	Trapezoidal & S-curve acceleration/deceleration			
Accel/Decel time	0~2,147,483,647ms			
Max. output pulse	Open collector: 500kpps, line driver: 4Mpps			
Max. distance	Open collector: 5m, line driver: 10m			
Max. encoder input	500kpps			
Error display	LED			
Size of cable	AWG #24			
Occupied points of I/O	64 points (Fixed type), 16 points (Variable type)			
Connection connector	40Pin		80Pin	
Current consumption (mA)	XGF-P01H:400	XGF-P02H:410	XGF-P03H:420	XGF-P04H:430
	XGF-PD1H:520	XGF-PD2H:600	XGF-PD3H:850	XGF-PD4H:890
Weight (g)	120		130	

## Features

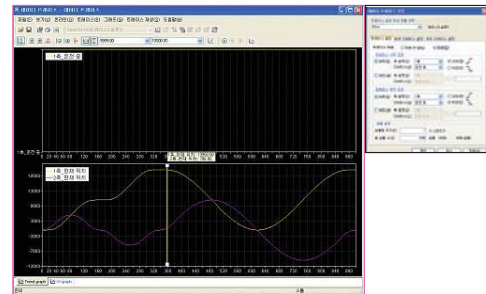
- Configuration tool with updated APM software package
- All models can be used for XGT Positioning & Motion Control Modules
- Simultaneous communications can be accessed with XG5000
- Powerful simulation, trace, monitoring



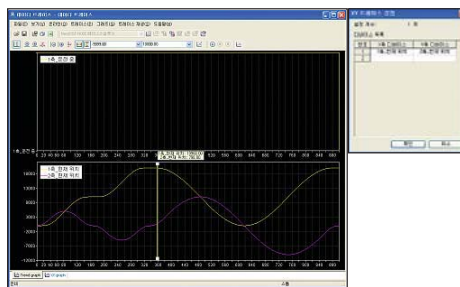
System View



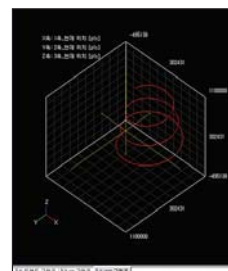
Data trace(trend graph)



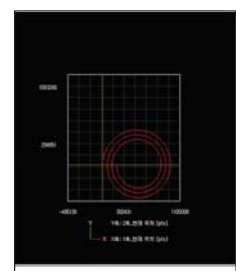
Data trace(XY graph)



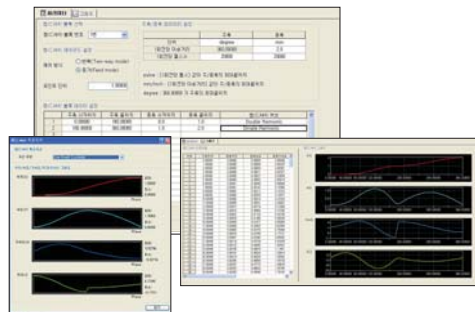
XYZ trend(3D View)



XYZ monitor(2D View)



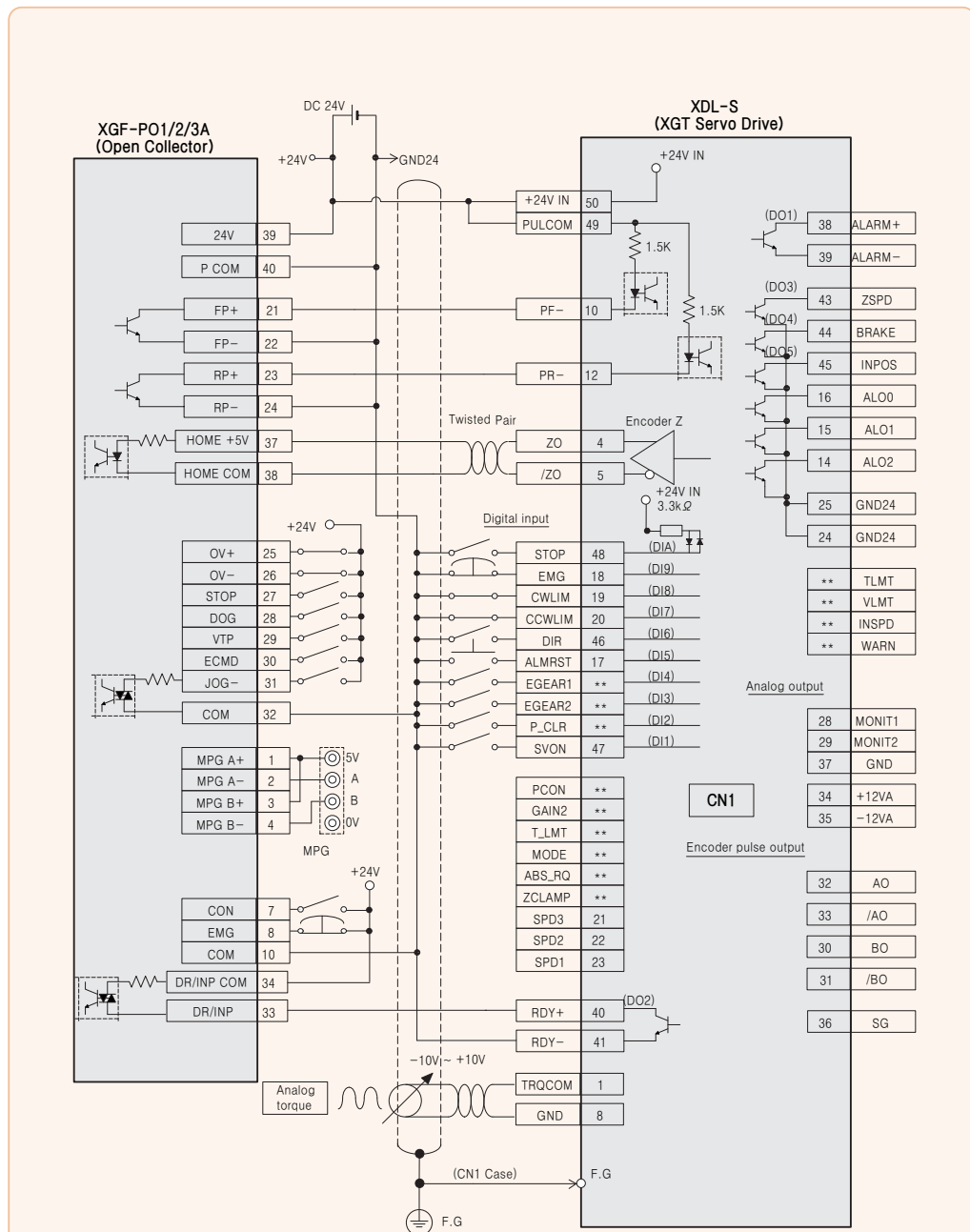
CAM control profile



Simulation

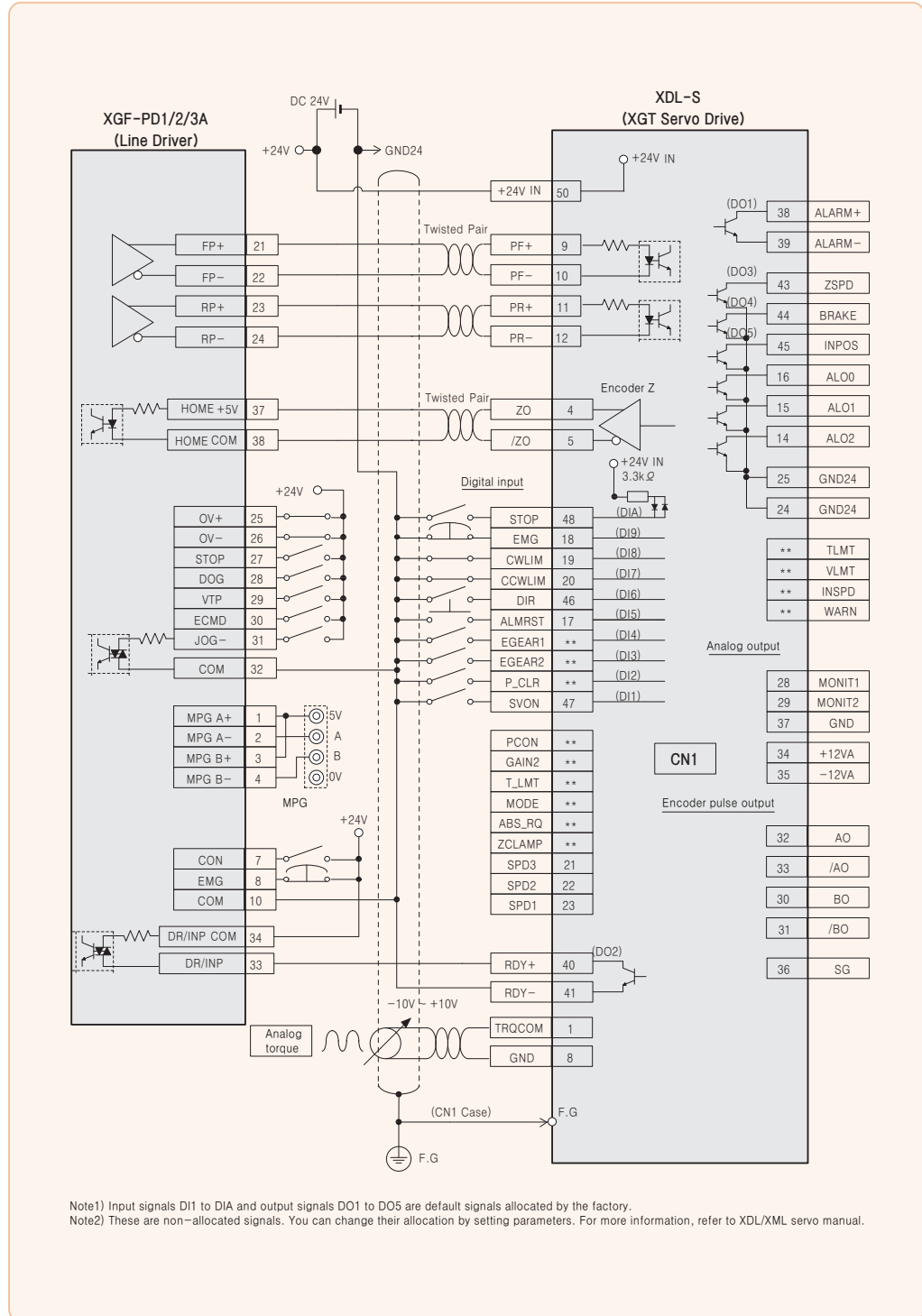


## XGF-PO1/2/3A (Open Collector)

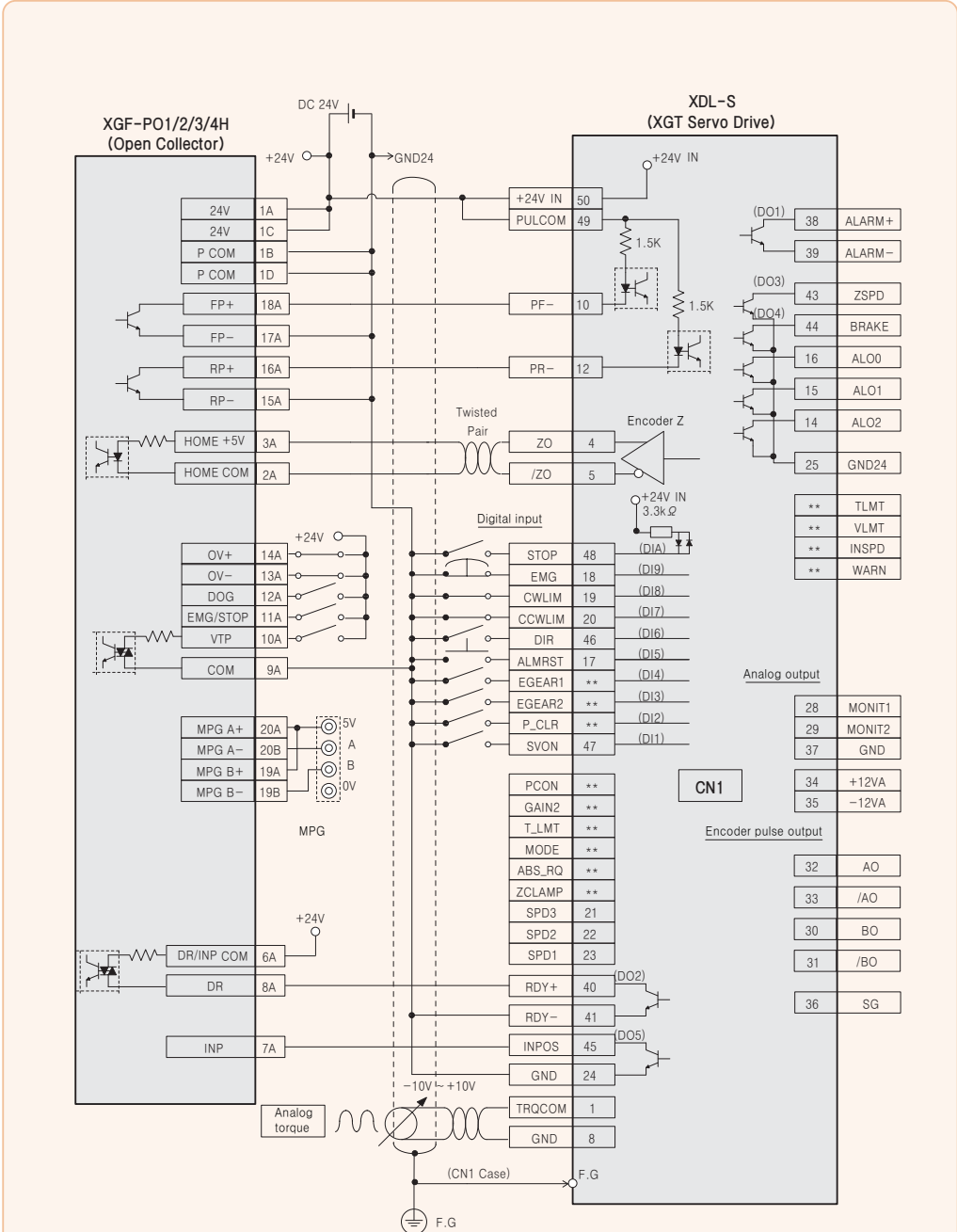


Note1) Input signals DI1 to DIA and output signals DO1 to DO5 are default signals allocated by the factory.  
 Note2) These are non-allocated signals. You can change their allocation by setting parameters. For more information, refer to XDL/XML servo manual.

## XGF-PD1/2/3A (Line Driver)

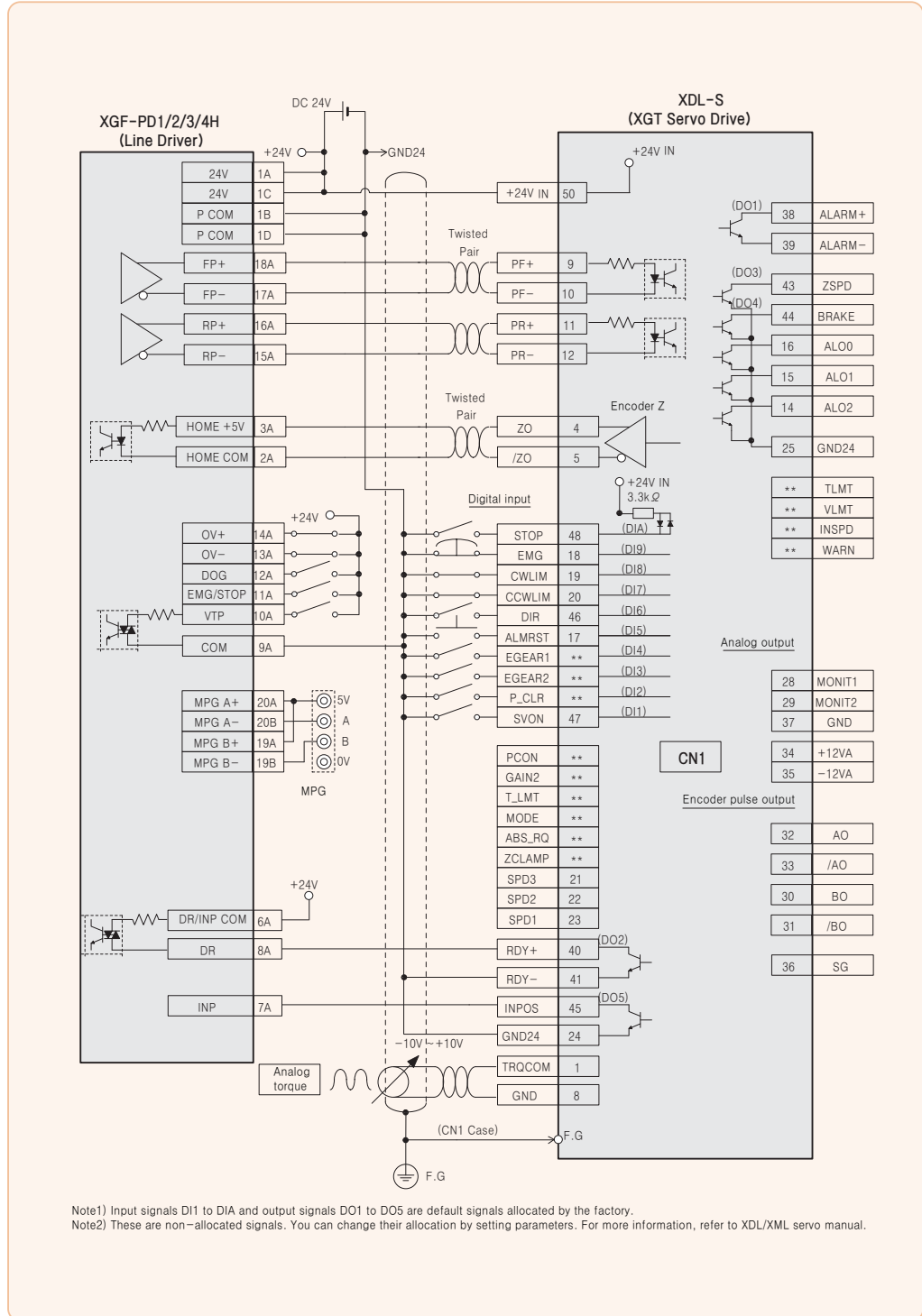


XGF-P01/2/3/4H (Open Collector)

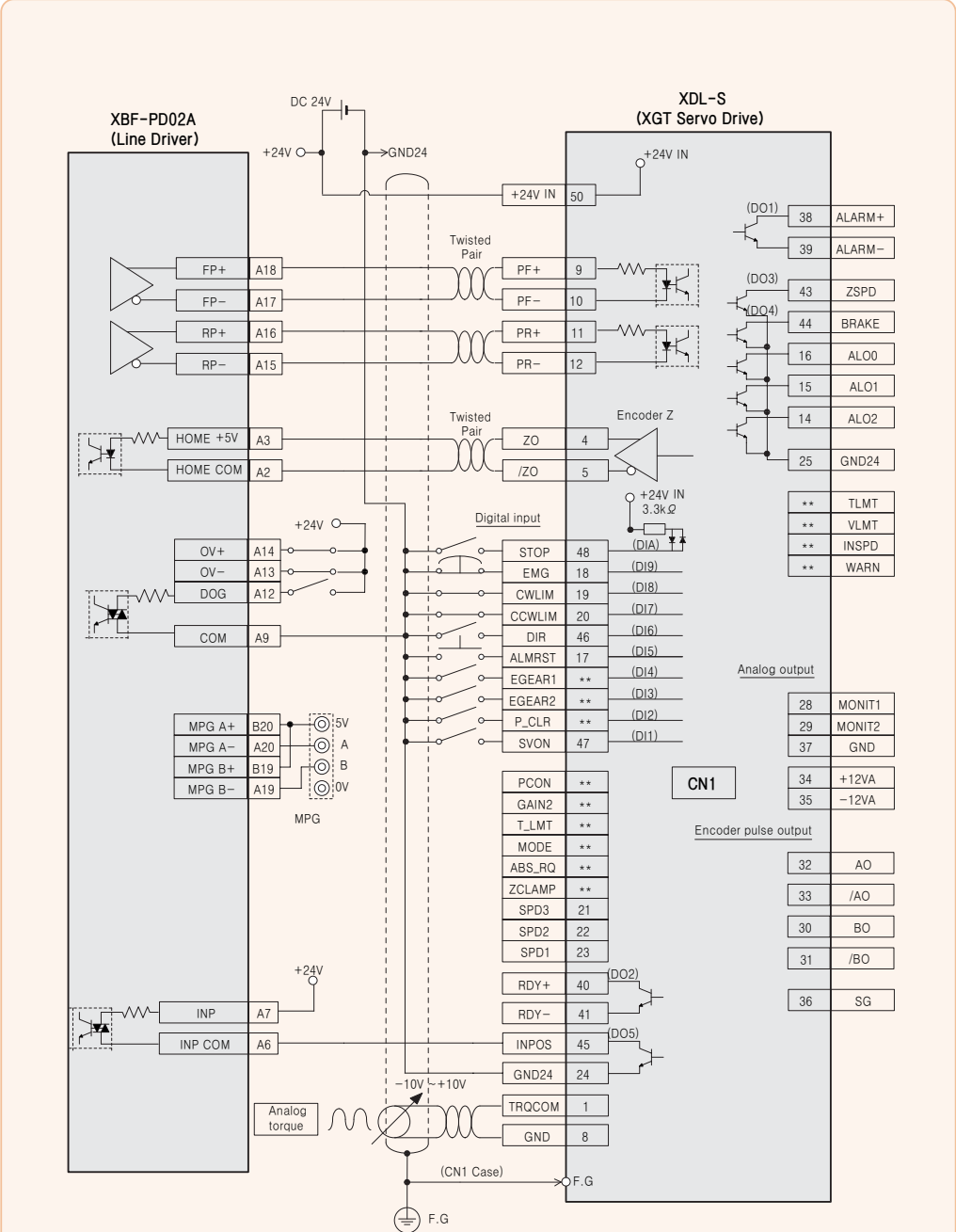


Note1) Input signals DI1 to DIA and output signals DO1 to DO5 are default signals allocated by the factory.  
 Note2) These are non-allocated signals. You can change their allocation by setting parameters. For more information, refer to XDL/XML servo manual.

## XGF-PD1/2/3/4H (Line Driver)

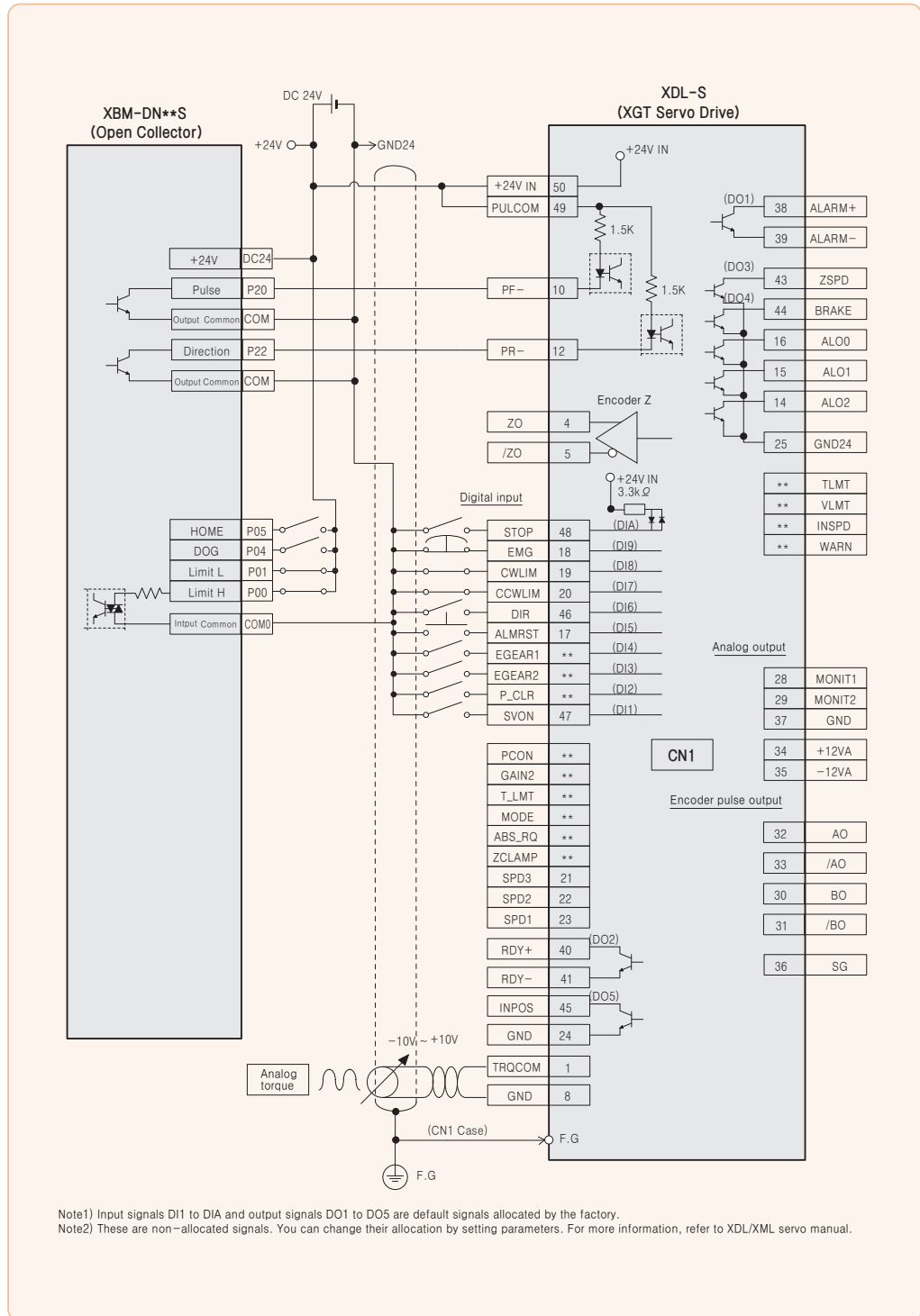


XBF-PD02A(Line Driver)



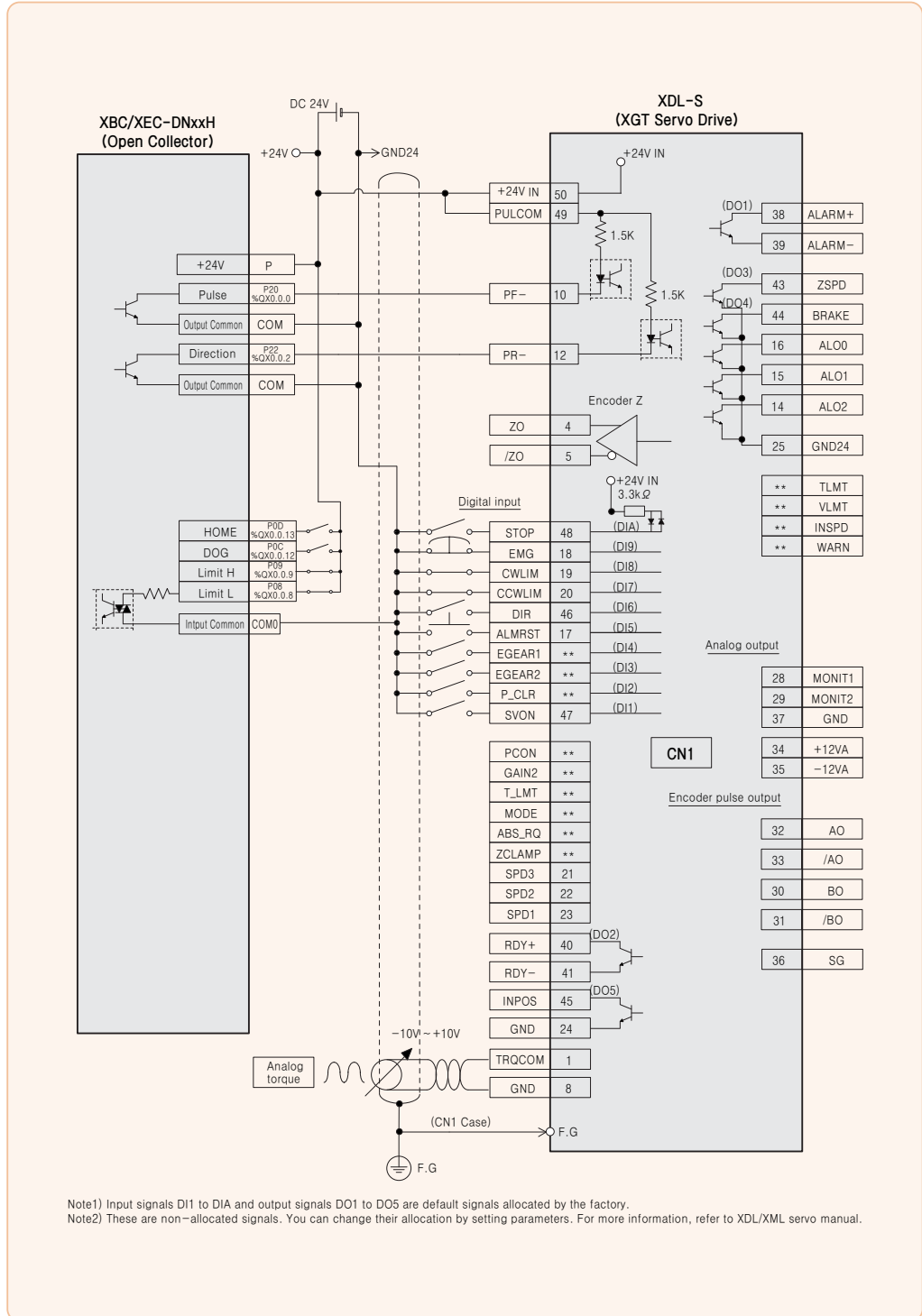
Note1) Input signals D11 to DIA and output signals DO1 to DO5 are default signals allocated by the factory.  
 Note2) These are non-allocated signals. You can change their allocation by setting parameters. For more information, refer to XDL/XML servo manual.

## XBM-DN\*\*S(Open Collector)

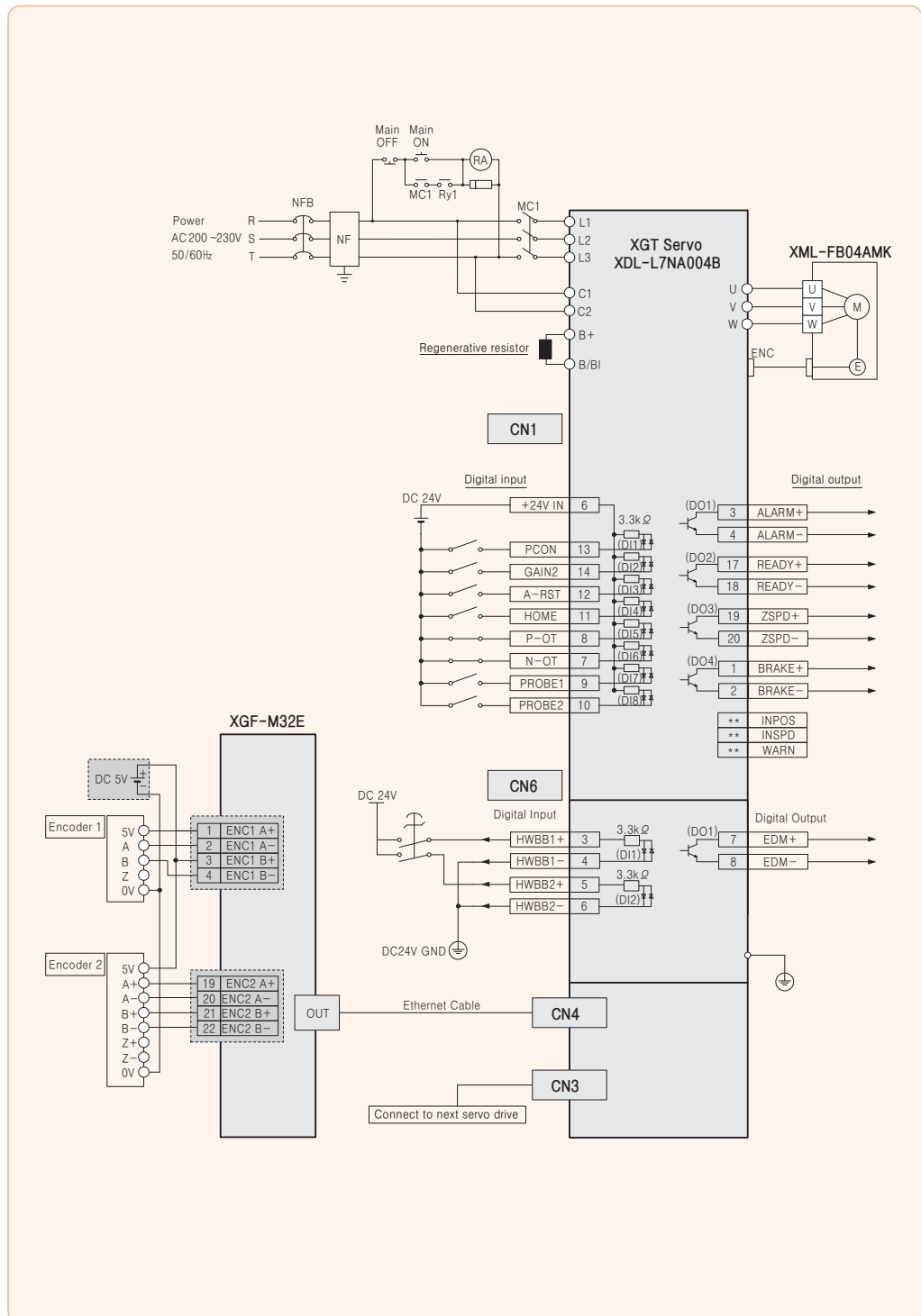




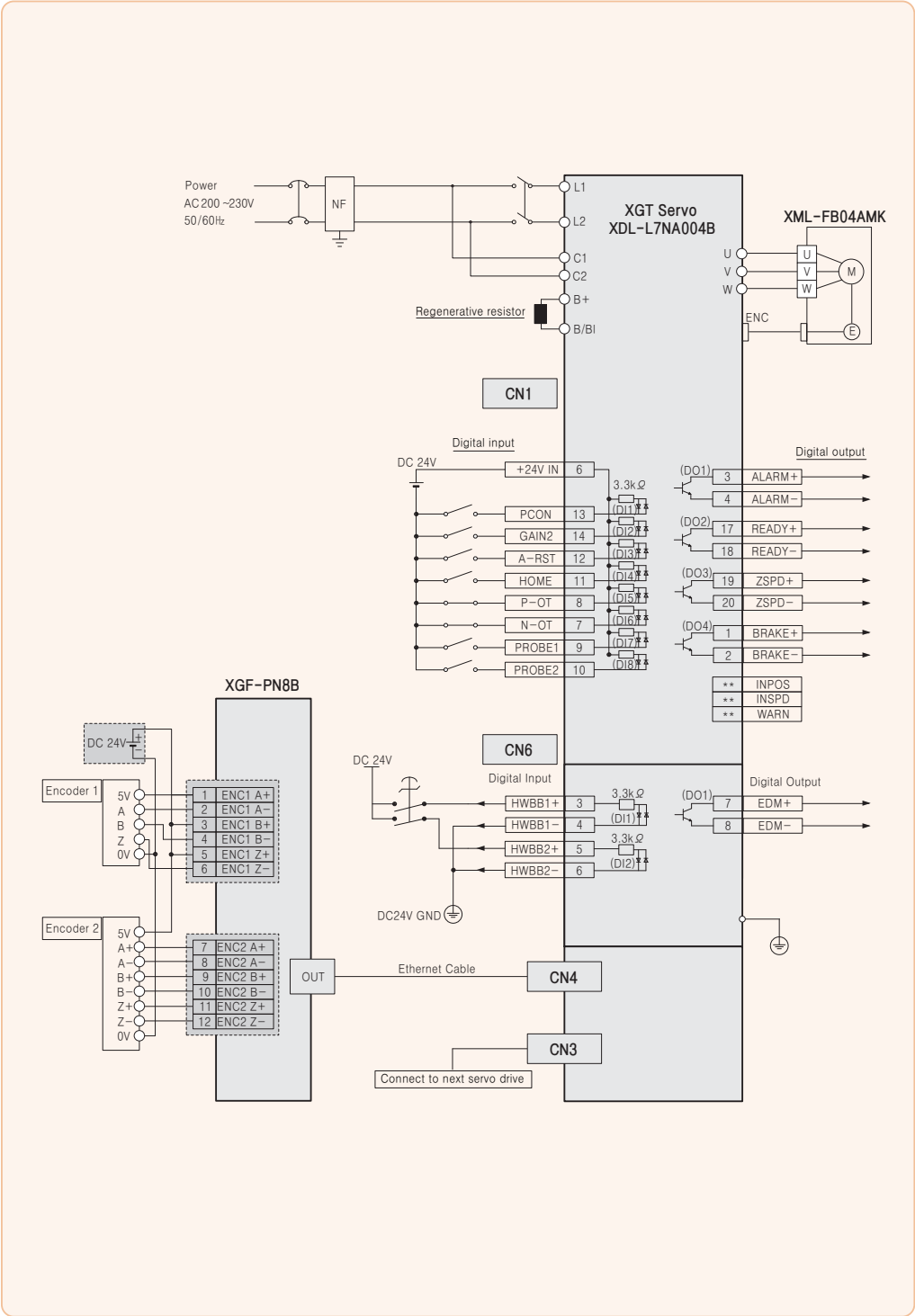
### XBC/XEC-DN\*\*H(Open Collector)



## XGF-M32E



XGF-PN8B



# Worldwide Network

Head Office and Domestic Factories (Cheongju, Cheonan, Busan)

## Domestic Factories

- **Head Office**  
LS Tower, 127, LS-ro, Dongan-gu, Anyang-si, Gyeonggi-Do, 431-848, Korea  
Tel : 82-2-2034-4870 Fax : 82-2-2034-3660-7021
- **Cheongju Factory**  
1 Songjeong-dong, Cheongju-si, Chungbuk-do, 361-720, Korea  
Tel : 82-43-261-6114 Fax : 82-43-261-6602
- **Cheonan Factory**  
181 Samseong-ri, Mokcheon-myeon, Cheonan-si Chungnam-do, 330-840 Korea  
Tel : 82-41-550-8114 Fax : 82-41-566-8408
- **Busan Factory**  
1-19 Block Hwajeon-dong, Gangseo-gu, Busan, 618-280, Korea  
Tel : 82-51-795-6114 Fax : 82-51-795-6169

## Overseas Factories

- **Wuxi Factory, CHINA**  
102-A. National High & New Tech Industrial Development Area, Wuxi. Jiangsu. 214028. P.R. China  
Tel : 86-510-8534-6666 Fax : 86-510-8534-4078
- **Dalian Factory, CHINA**  
No. 15. Liaohexi 3-Road. Economic and Technical Development zone. Dalian 116600. China  
Tel : 86-411-273-7777 Fax : 86-411-8730-7560
- **Hanoi Factory, VIETNAM**  
Room 1311, 13th Floor, M3-M4 Building 91 Nguyen Chi Thanh street, Hanoi, Vietnam.  
Tel : 84-4-6275-8055 Fax : 84-4-6275-8056

## R&D Center

- **Advanced Technology R&D Center**  
533 Hogye-dong, Dongan-gu, Anyang-si, Gyeonggi-do, 431-749, Korea  
Tel : 82-31-450-7114
- **Electro Technology R&D Center**  
1 Songjeong-dong, Cheongju-si, Chungcheongbuk-do, 361-720, Korea  
Tel : 82-43-261-6114
- **Automation R&D Center**  
181 Samseong-ri, Mokcheon-myeon, Cheonan-si, Chungcheongnam-do, 330-840, Korea  
Tel : 82-41-550-8272
- **Power Testing & Technology Institute**  
1 Songjeong-dong, Cheongju-si, Chungcheongbuk-do, 361-720, Korea  
Tel : 82-43-261-6114



Cheongju Factory



Wuxi Factory (China)



Cheonan Factory



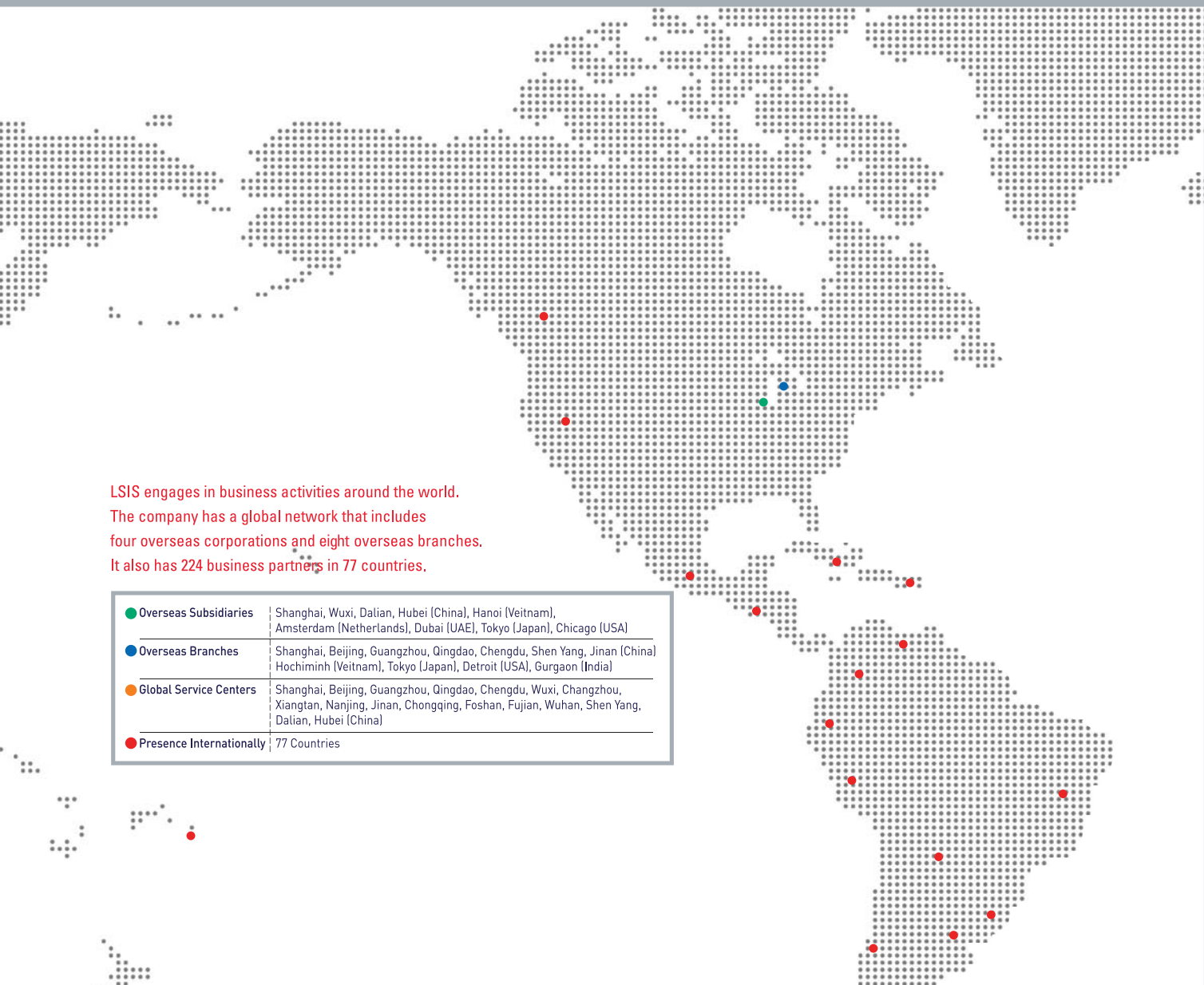
Dalian Factory (China)



Busan Factory



Hanoi Factory (Vietnam)



LSIS engages in business activities around the world.  
 The company has a global network that includes  
 four overseas corporations and eight overseas branches.  
 It also has 224 business partners in 77 countries.

● Overseas Subsidiaries	Shanghai, Wuxi, Dalian, Hubei (China), Hanoi (Vietnam), Amsterdam (Netherlands), Dubai (UAE), Tokyo (Japan), Chicago (USA)
● Overseas Branches	Shanghai, Beijing, Guangzhou, Qingdao, Chengdu, Shen Yang, Jinan (China) Hochiminh (Vietnam), Tokyo (Japan), Detroit (USA), Gurgaon (India)
● Global Service Centers	Shanghai, Beijing, Guangzhou, Qingdao, Chengdu, Wuxi, Changzhou, Xiangtan, Nanjing, Jinan, Chongqing, Foshan, Fujian, Wuhan, Shen Yang, Dalian, Hubei (China)
● Presence Internationally	77 Countries

### Overseas Subsidiaries

- LSIS(Shanghai) Co., Ltd. / CHINA  
32nd Room 1-4, 32/F, Great Wall Building, No.3000 North Zhongshan Road, Putuo District, Shanghai, P.R. China  
Tel : 86-21-5237-9977(609) Fax : 86-21-5237-7189
- LSIS(Dalian) Co., Ltd. / CHINA  
No. 15, Liaohexi 3-Road, Economic and Technical Development zone, Dalian, P.R. China  
Tel : 86-411-8731-7542 Fax : 86-411-8730-7560 E-Mail : dskim@lsis.com
- LSIS(Wuxi) Co., Ltd. / CHINA  
102-A, National High & New Tech Industrial Development Area, Wuxi, Jiangsu, P.R. China  
Tel : 86-510-8534-6666 Fax : 86-510-8534-4078 E-Mail : sojin@lsis.com
- LS Hukai Electric(Hubei) Co., Ltd. / CHINA  
No. 100, Tanjahe Road, Dianjun District, Yichang City, Hubei Province, P.R. China  
Tel : 86-717-667-7536 Fax : 86-717-667-7222 E-Mail : jaewoongh@lsis.com
- LS-VINA Industrial Systems Co., Ltd. / VIETNAM  
Room 1311, 13th, M3-M4 Building 91 Nguyen Chi Thanh street, Hanoi, Vietnam  
Tel : 84-4-6275-8055 Fax : 86-21-5237-7189
- LSIS[ME] FZE / U.A.E.  
LOB 19-205, JAFZA View Tower, Jebel Ali Free Zone, Dubai, United Arab Emirates  
Tel : 971-4-886-5360 Fax : 971-4-886-5361 E-Mail : shunlee@lsis.com
- LSIS Europe B.V. / NETHERLANDS  
1st. Floor, Tupolevlaan 48, 1119NZ, Schiphol-Rijk, The Netherlands  
Tel : 31-20-654-1420 Fax : 31-20-654-1429 E-Mail : europartner@lsis.com
- LSIS Japan Co., Ltd. / JAPAN  
16th, Higashi-Kan, Akasaka Twin Tower, 2-17-22, Akasaka, Minato-ku, Tokyo, Japan  
Tel : 81-3-3582-9128 Fax : 81-3-3582-2667 E-Mail : jschuna@lsis.com
- LSIS USA Inc. / U.S.A.  
2000 Millbrook Drive, Lincolnshire, Chicago, IL 60069, United States of America  
Tel : 847-941-8240 Fax : 847-941-8259

### Overseas Branches

- LSIS Shanghai Office / CHINA  
Room E-G, 12th, Huamin Empire Plaza, No.726, West Yan'an Road, Shanghai, P.R. China  
Tel : 86-21-5237-9977(702) Fax : 86-21-5237-7189
- LSIS Beijing Office / CHINA  
Room 2306, Building B Landgent Center, No.24 Middle Road, East 3rd Ring Road, Chaoyang District, Beijing, P.R. China  
Tel : 86-10-5761-3127 Fax : 86-10-5761-3128 E-Mail : htroh@lsis.com
- LSIS Guangzhou Office / CHINA  
Room 1403, 14th, New Poly Tower, 2 Zhongshan Liu Road, Guangzhou, P.R. China  
Tel : 86-20-8326-6784 Fax : 86-20-8326-6287 E-Mail : sojhtroh@lsis.com
- LSIS Qingdao Office / CHINA  
Room 2001, Galaxy Building, 29 ShanDong Road, ShiNan District, QingDao, ShanDong, P.R. China  
Tel : 86-532-8501-6058 Fax : 86-532-8501-6057 E-Mail : htroh@lsis.com
- LSIS Chengdu Office / CHINA  
Room 1710, 17/F Huamin Empire Plaza, NO.1 Fuxin Road, Chengdu, P.R. China  
Tel : 86-28-8670-3201 Fax : 86-28-8670-3203 E-Mail : yangcf@lsis.com
- LSIS ShenYang Office / CHINA  
Room 803, Hongyuan Building, 52 South Nanjing Road, Heping District, Shenyang, P.R. China  
Tel : 86-24-2321-9050 Fax : 86-24-8386-7210 E-Mail : yangcf@lsis.com
- LSIS Jinan Office / CHINA  
Room 417, Chuangzhan Center, No. 201, Shanda Road, Lixia District, Jinan, Shandong, P.R. China  
Tel : 86-531-8263-8026 Fax : 86-531-8263-8027 E-Mail : yangcf@lsis.com
- LSIS Tokyo Office / JAPAN  
16th, Higashi-Kan, Akasaka Twin Tower, 2-17-22, Akasaka, Minato-ku, Tokyo, Japan  
Tel : 81-3-3582-9128 Fax : 81-3-3582-2667
- LS-VINA Industrial Systems Hochiminh Office / VIETNAM  
4th, Yoco Building, 41 Nguyen Thi Minh Khai Street, Hochiminh City, Vietnam  
Tel : 84-8-3822-7941 Fax : 81-84-8-3822-7942 E-Mail : sjbaik@lsis.com
- LSIS Detroit Office / U.S.A.  
5700 Crooks Rd, Suite 211, Troy, MI 48098, United States of America  
Tel : 1-248-792-2637-8 Fax : 1-248-792-2642t E-Mail : sylee@lsis.com
- LSIS Gurgaon Office / INDIA  
109 First Floor, Park Central, Sector-30, Gurgaon- 122 002, Haryana, India  
Tel : +0091-124-493-0070 Fax : 91-1244-930-066 E-Mail : hwyim@lsis.com



**Safety Instructions**

- For your safety, please read user's manual thoroughly before operating.
- Contact the nearest authorized service facility for examination, repair, or adjustment.
- Please contact qualified service technician when you need maintenance. Do not disassemble or repair by yourself !
- Any maintenance and inspection shall be performed by the personnel having expertise concerned.

## LSIS Co., Ltd.

©2008. LSIS Co., Ltd. All Rights Reserved.

### HEAD OFFICE

LS Tower, 127, LS-ro, Dongan-gu, Anyang-si, Gyeonggi-Do, 431-848, Korea

■ Southeast Asia	+82-2-2034-4888	cshwang@lsis.com (Charles Hwang)
■ Europe	+82-2-2034-4676	sukyong@lsis.com (Brian Choi)
■ Turkey/Israel/CIS	+82-2-2034-4879	dkimc@lsis.com (Daniel Kim)
■ Oceania	+82-2-2034-4394	kacho@lsis.com (Kendra Cho)
■ North/Latin America	+82-2-2034-4286	hkchung@lsis.com (Hank Raul Chung)
■ Southwest Asia/Africa	+82-2-2034-4467	myleed@lsis.com (Henry Lee)
■ Middle East	+971-4-886-5360	khchoi1@lsis.com (Lambert Choi)

### Overseas Subsidiaries

- **LSIS(Shanghai) Co., Ltd. /CHINA**  
32nd Room 1-4, 32/F, Great Wall Building, No.3000 North Zhongshan Road, Putuo District, Shanghai, P.R. China  
Tel : 86-21-5237-9977(609) Fax : 86-21-5237-7189
- **LSIS(Dalian) Co., Ltd. /CHINA**  
No. 15, Liaohexi 3-Road, Economic and Technical Development zone, Dalian, P.R. China  
Tel : 86-411-8731-7542 Fax : 86-411-8730-7560 E-Mail : dskim@lsis.com
- **LSIS(Wuxi) Co., Ltd./CHINA**  
102-A, National High & New Tech Industrial Development Area, Wuxi, Jiangsu, P.R. China  
Tel : 86-510-8534-6666 Fax : 86-510-8534-4078 E-Mail : sojin@lsis.com
- **LS Hukai Electric(Hubei) Co., Ltd./CHINA**  
No. 100, Tanjiahe Road, Dianjun District, Yichang City, Hubei Province, P.R. China  
Tel : 86-717-667-7536 Fax : 86-717-667-7222 E-Mail : jaewoongh@lsis.com
- **LS-VINA Industrial Systems Co., Ltd./VIETNAM**  
Room 1311, 13th, M3-M4 Building 91 Nguyen Chi Thanh street, Hanoi, Vietnam  
Tel : 84-4-6275-8055 Fax : 86-21-5237-7189
- **LSIS(ME) FZE/U.A.E.**  
LOB 19-205, JAFZA View Tower, Jebel Ali Free Zone, Dubai, United Arab Emirates  
Tel : 971-4-886-5360 Fax : 971-4-886-5361 E-Mail : shunlee@lsis.com
- **LSIS Europe B.V./NETHERLANDS**  
1st. Floor, Tupolevlaan 48, 1119NZ, Schiphol-Rijk, The Netherlands  
Tel : 31-20-654-1420 Fax : 31-20-654-1429 E-Mail : europartner@lsis.com
- **LSIS Japan Co., Ltd./JAPAN**  
16th, Higashi-Kan, Akasaka Twin Tower, 2-17-22, Akasaka, Minato-ku, Tokyo, Japan  
Tel : 81-3-3582-9128 Fax : 81-3-3582-2667 E-Mail : jschuna@lsis.com
- **LSIS USA Inc./U.S.A.**  
2000 Millbrook Drive, Lincolnshire, Chicago, IL 60069, United States of America  
Tel : 847-941-8240 Fax : 847-941-8259 E-Mail : ybleeb@lsis.com

### Overseas Branches

- **LSIS Shanghai Office/CHINA**  
Room E-6, 12th, Huamin Empire Plaza, No.726, West Yan'an Road, Shanghai, P.R. China  
Tel : 86-21-5237-9977(702) Fax : 86-21-5237-7189
- **LSIS Beijing Office/CHINA**  
Room 2306, Building B Landgent Center, No.24 Middle Road, East 3rd Ring Road, Chaoyang District, Beijing, P.R. China  
Tel : 86-10-5761-3127 Fax : 86-10-5761-3128 E-Mail : htroh@lsis.com
- **LSIS Guangzhou Office/CHINA**  
Room 1403, 14th, New Poly Tower, 2 Zhongshan Liu Road, Guangzhou, P.R. China  
Tel : 86-20-8326-6784 Fax : 86-20-8326-6287 E-Mail : sojhtroh@lsis.com
- **LSIS Qingdao Office/CHINA**  
Room 2001, Galaxy Building, 29 ShanDong Road, ShiNan District, QingDao, ShanDong, P.R. China  
Tel : 86-532-8501-6058 Fax : 86-532-8501-6057 E-Mail : htroh@lsis.com
- **LSIS Chengdu Office/CHINA**  
Room1710, 17/F Huamin Empire Plaza, NO.1 Fuxin Road, Chengdu, P.R. China  
Tel : 86-28-8670-3201 Fax : 86-28-8670-3203 E-Mail : yangcf@lsis.com
- **LSIS ShenYang Office/CHINA**  
Room 803, Hongyuan Building, 52 South Nanjing Road, Heping District, Shenyang, P.R. China  
Tel : 86-24-2321-9050 Fax : 86-24-8386-7210 E-Mail : yangcf@lsis.com
- **LSIS Jinan Office/CHINA**  
Room 417, Chuangzhan Center, No. 201, Shanda Road, Lixia District, Jinan, Shandong, P. R. China  
Tel : 86-531-8263-8026 Fax : 86-531-8263-8027 E-Mail : yangcf@lsis.com
- **LSIS Tokyo Office/JAPAN**  
16th, Higashi-Kan, Akasaka Twin Tower, 2-17-22, Akasaka, Minato-ku, Tokyo, Japan  
Tel : 81-3-3582-9128 Fax : 81-3-3582-2667
- **LS-VINA Industrial Systems Hochiminh Office/VIETNAM**  
4th, Yoco Building, 41 Nguyen Thi Minh Khai Street, Hochiminh City, Vietnam  
Tel : 84-8-3822-7941 Fax : 81-84-8-3822-7942 E-Mail : sjbaik@lsis.com
- **LSIS Detroit Office/U.S.A.**  
5700 Crooks Rd, Suite 211, Troy, MI 48098, United States of America  
Tel : 1-248-792-2637-8 Fax : 1-248-792-2642 E-Mail : sylee@lsis.com
- **LSIS Gurgaon Office/INDIA**  
109 First Floor, Park Central, Sector-30, Gurgaon- 122 002, Haryana, India  
Tel : +0091-124-493-0070 Fax : 91-1244-930-066 E-Mail : hwyim@lsis.com

Specifications in this catalog are subject to change without notice due to continuous product development and improvement.