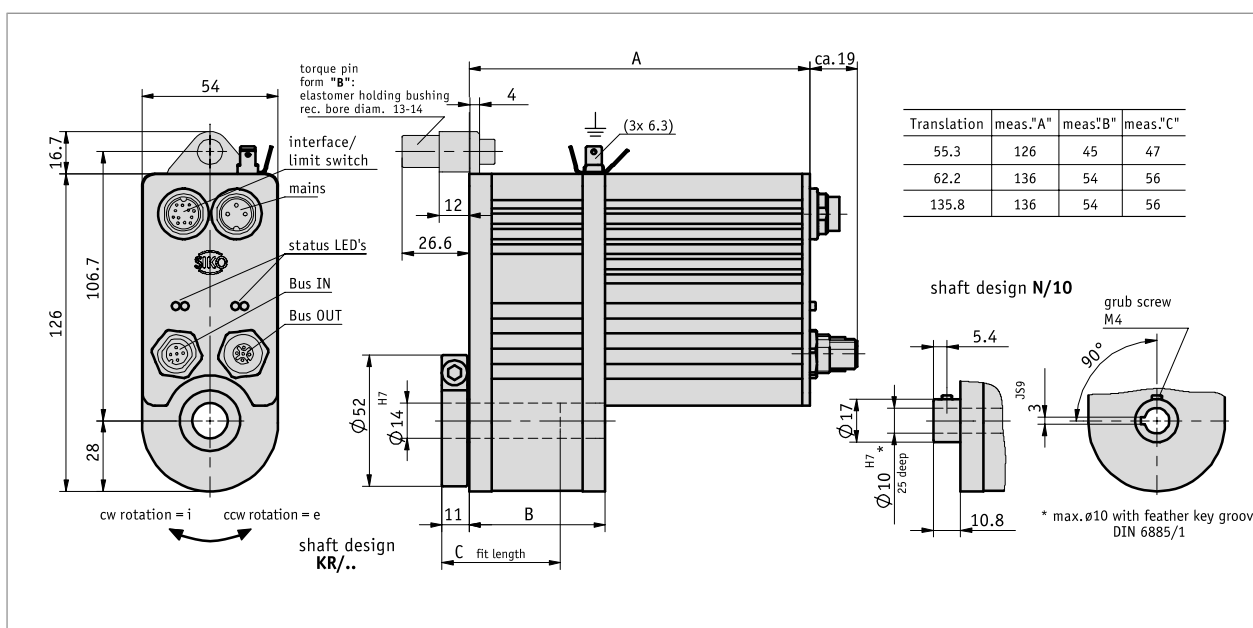
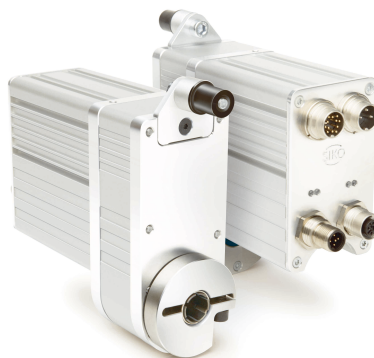


Profile

- Easy mounting
- Through hollow shafts up to max. $\varnothing 14$ mm
- Integrated absolute position encoder on the output shaft
- Integrated positioning controller
- Integrated fieldbus interface (option)



Mechanical data

Feature	Technical data	Additional information
shaft	black-finished steel	
Housing	aluminum	
Nominal torque/rated speed	5 Nm at 80 min^{-1} 6 Nm at 70 min^{-1} 9 Nm at 35 min^{-1}	i = 55.3 (70 W-M motor) i = 62.2 (70 W-M motor) i = 135.8 (70 W-M motor)
Operating mode	S3 intermittent operation: 25 % DC, 10 min.	EN 60034-1
Weight	~1.2 kg	(Fieldbus)

Electrical data

■ Motor

Feature	Technical data	Additional information
Operating voltage	24 V DC ±10 %	reverse polarity protected, fieldbus
Power input	70 W	
Parameter storage	10 ⁵ cycles	also applies to calibration operations (only ABM)
Rated current	2.9 A	max. load current i = 55.3 / i = 62.2
	2.1 A ±4 %, (70 W-M motor)	max. load current i = 135.8
Type of connection	2x M16 plug connectors	3-pole, 1x pin; 12-pole, 1x pin
	2x M12 plug connectors (A-coded)	5-pole, 1x pin; 5-pole, 1x socket (CAN)
	2x M12 plug connectors (B-coded)	5-pole, 1x pin; 5-polig, 1x socket (PB)

System data

Feature	Technical data	Additional information
Resolution	1600 Steps/revolution	ABM position encoder
Travel range	±6250 rotation(s)	ABM position encoder

Ambient conditions

Feature	Technical data	Additional information
Ambient temperature	0 ... 50 °C	
Storage temperature	-20 ... 60 °C	
Relative humidity		condensation inadmissible
EMC	EN 61800-3, second environment	interference resistance / immission
	EN 61800-3, C3	emitted interference / emission
Protection category	IP50 (IP65 optional) with mounted mating connectors	EN 60529
Shock resistance	500 m/s ² , 11 ms	EN 60068-2-27
Vibration resistance	≤100 m/s ² , 5 ... 150 Hz	EN 60068-2-6

pin assignment

■ Voltage supply

Signal	PIN
+UB	1
nc	2
-UB	3

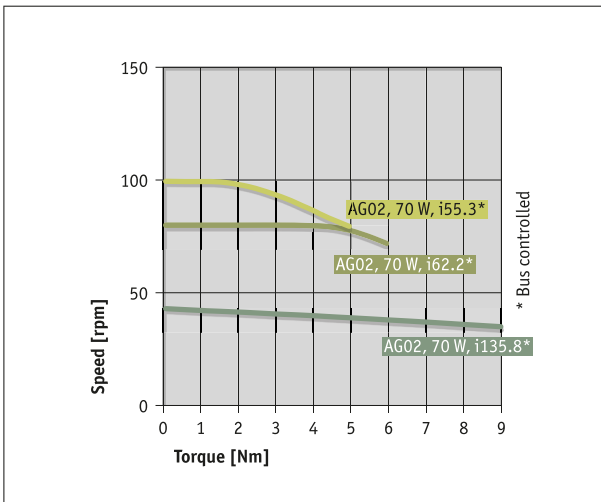
■ fieldbus

Profibus-DP	CANopen	PIN
+5 V DC	nc	1
BUS A	nc	2
GND	CAN_GND	3
BUS B	CAN_H	4
nc	CAN_L	5

■ Interface/limit switch

Signal	PIN
ES1	A
ES2	B
Enable (24 V DC)	C
nc	D
+24 V DC	E
nc	F
RXD/DÜA	G
TXD/DÜB	H
GND/serial interface	J
GND (ES1, ES2, Emergency-off, CAL)	K
CAL	L
GND	M

Performance curve



Order

Ordering table

Feature	Ordering data	Spezifikation	Additional information
Gear ratio	A 55.3 62.2 135.8	i = 55.3 i = 62.2 i = 135.8	
shaft design	B KR/14 N/10	clamping ring ø14 mm keyway, ø10 mm	with i=55.3, other transmissions on request
Torque pin	C B OD	lug without	incl. elastomer bushing
Interface	D S1/00 S3/00	RS232, standard, electronic control unit RS485, standard, electronic control unit	
fieldbus	E OFB PB CAN	without field bus Profibus-DP CANopen	

Order key

AG02 Feldbus - A - 70W-M - B - D - C - LA - ABM - OMS - D - E - SW



Scope of delivery:

AG02 Feldbus, Quick Start Guide



Accessories you can find:

Cable extension KV02S0	www.siko-global.com
Cable extension KV08S0	www.siko-global.com
Cable adaptor KA232	www.siko-global.com
Cable adaptor KA485	www.siko-global.com
Programming software ProTool DL	www.siko-global.com
Programming tool PT232	www.siko-global.com
Overview, Mating connector	www.siko-global.com
Mating connector, Encoder, 12-pole, socket	Order key 76572
Mating connector, Encoder, 12-pole, angle socket	Order key 79666
Mating connector, Motor/voltage supply, 3-pole, angle socket	Order key 81363
Mating connector, Motor/voltage supply, 3-pole, socket	Order key 82182
Mating connector, Profibus IN, 5-pole, angle socket	Order key 82804
Mating connector, Profibus OUT, 5-pole, angular pin	Order key 82805
Mating connector, CANopen IN, 5-pole, angle socket	Order key 83006
Mating connector, CANopen OUT, 5-pole, angular pin	Order key 83007
Mating connector, Profibus IN, 5-pole, socket	Order key 83991
Mating connector, Profibus OUT, 5-pole, pin	Order key 83992
Mating connector, CANopen IN, 5-pole, socket	Order key 84109
Mating connector, CANopen OUT, 5-pole, pin	Order key 84732
Bus terminating connector, CANopen, 5-pole, pin	Order key 82815
Bus terminating connector, Profibus, 5-pole, pin	Order key 82816